

Input data

System of measurement		Metric
Input type		Gear motor
Input speed	[rpm]	1400
Output speed	[rpm]	93.33
Ratio (i=)		15
Frequency	[Hz]	50
Input options		IEC
Requested input power	[kW]	11
Service factor		1.5
Rated Power P1	[kW]	16.02

Output data

Gear unit M RS 150 PC 15 160 B5 AC 55 MT 11 kW 160 M4 B5 X3 B3

Type		RS - Worm speed reducers
Input type		M
Size		150
Ratio (i=)		15
Input flange		B5
Mounting position		B3
Input speed	[rpm]	1400
Output speed	[rpm]	93.33
Rated output torque	[Nm]	967.96
Service Factor		1.5
Efficiency		0.86
Inertia moment	[kgm ²]	0.006313

Gear unit configuration

Output shaft		Hollow output shaft
Fixing		Shaft mounting
Version		PC

Output radial and axial loads

Ball bearings output radial load	[N]	8300
Taper bearings output radial load	[N]	11600
Ball bearings output axial load	[N]	1660
Taper bearings output axial load	[N]	2320

Accessories

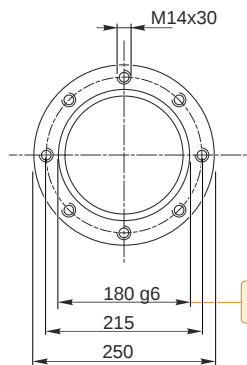
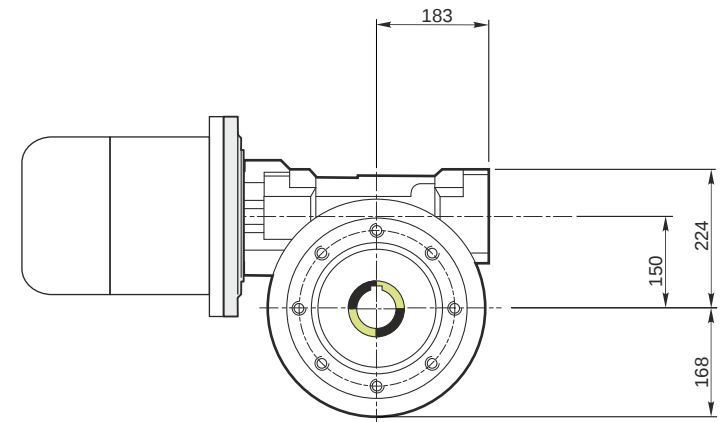
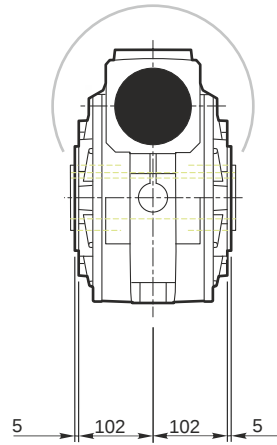
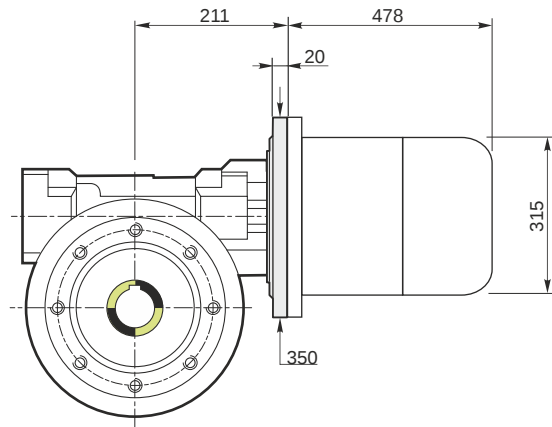
Hollow output shaft		AC 55
---------------------	--	-------

Electric motor

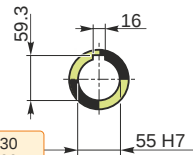
Size		160 M4
Poles		4
Power	[kW]	11

Electric motor configuration

Motor flange		B5
Terminal box position		X3

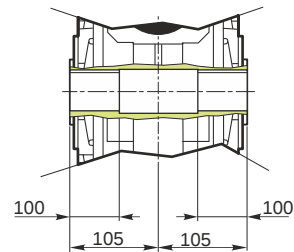


Hollow output shaft



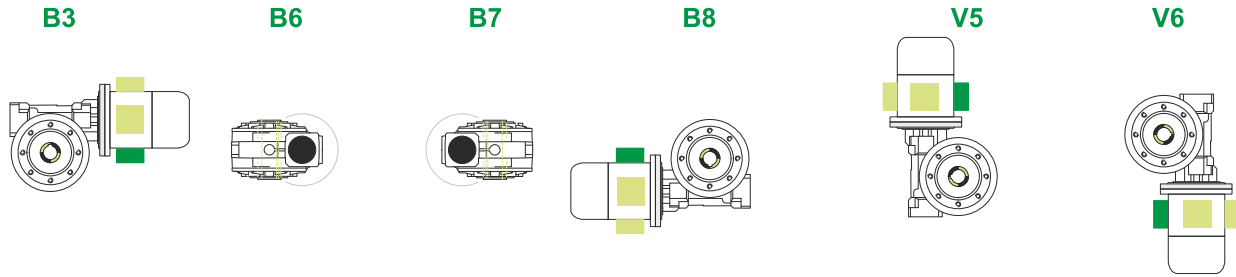
179.986
179.961

55.030
55.000

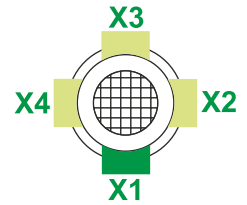


M RS 150 PC 15 160 B5 AC 55 MT 11 kW 160 M4 B5 X3 B3

Mounting positions



Terminal box position



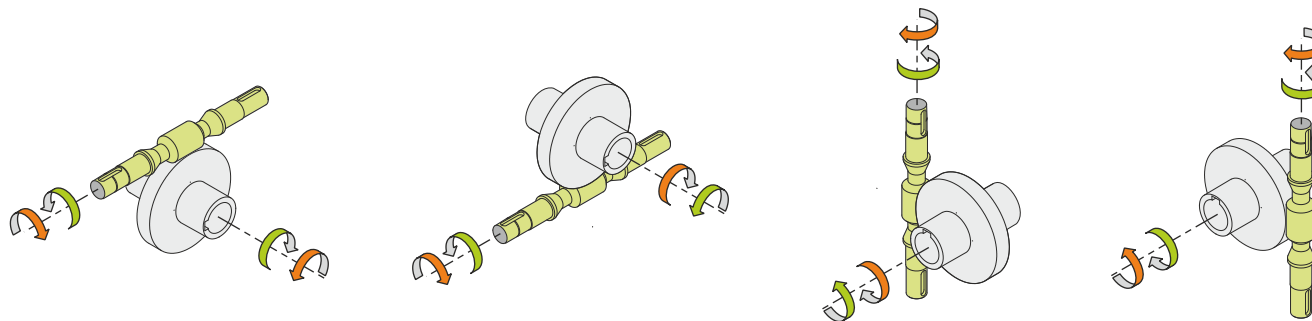
4.4



← Oil quantity [litres]

Lubricant type: Long life synthetic oil ISO VG320

Direction of rotation



Weight

Gear unit [kg]	80
Electric motor [kg]	90

Gearing data

Axial module	8.15
Number of starts	2
Lead angle	16° 22'
Pressure angle	20°

Backdriving

- Static back-driving
- Quick back-driving
- Dynamic back-driving