

Input data

System of measurement		Metric
Input type		Gear motor
Input speed	[rpm]	1400
Output speed	[rpm]	25
Ratio (i=)		56
Frequency	[Hz]	50
Input options		IEC
Requested input power	[kW]	4
Service factor		1.3
Rated Power P1	[kW]	5.09

Output data

Gear unit **M RS 150 PC 56 112 B14 AC 55 MT 4 kW 112 A4 B14 X3 B3**

Type		RS - Worm speed reducers
Input type		M
Size		150
Ratio (i=)		56
Input flange		B14
Mounting position		B3
Input speed	[rpm]	1400
Output speed	[rpm]	25
Rated output torque	[Nm]	1115.44
Service Factor		1.3
Efficiency		0.73
Inertia moment	[kgm ²]	0.005832

Gear unit configuration

Output shaft		Hollow output shaft
Fixing		Shaft mounting
Version		PC

Output radial and axial loads

Ball bearings output radial load	[N]	12500
Taper bearings output radial load	[N]	18700
Ball bearings output axial load	[N]	2500
Taper bearings output axial load	[N]	3740

Accessories

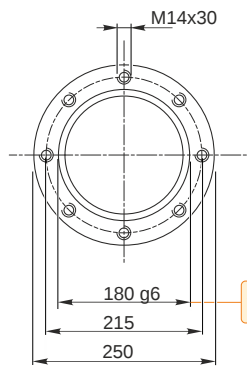
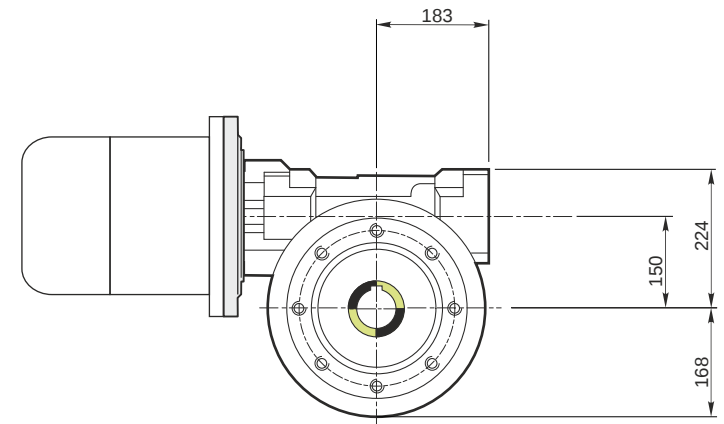
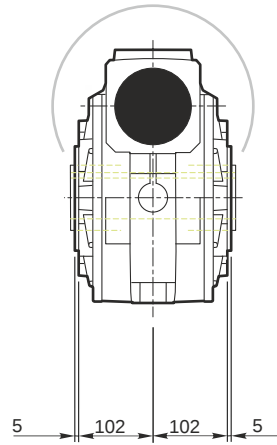
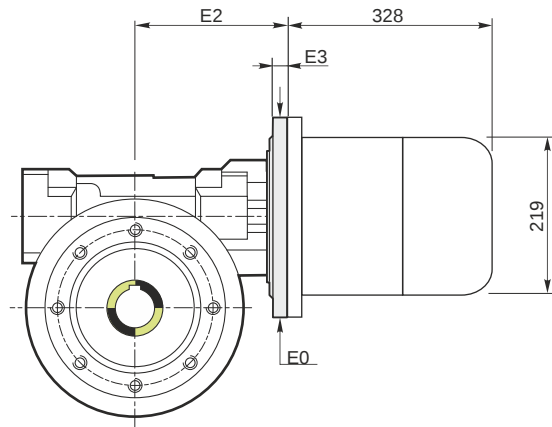
Hollow output shaft		AC 55
---------------------	--	-------

Electric motor

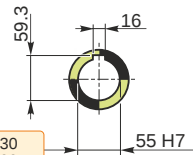
Size		112 A4
Poles		4
Power	[kW]	4

Electric motor configuration

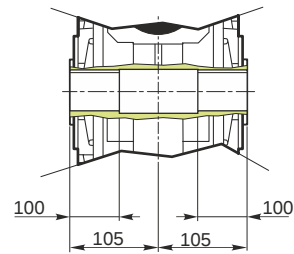
Motor flange		B14
Terminal box position		X3



Hollow output shaft

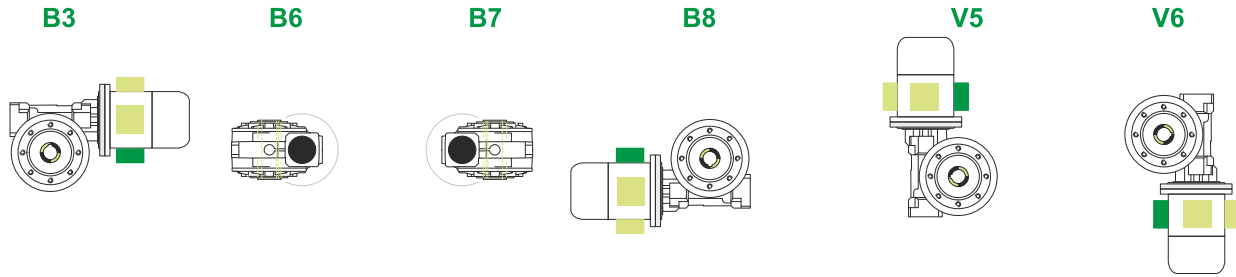


179.986	55.030
179.961	55.000

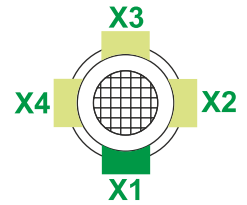


M RS 150 PC 56 112 B14 AC 55 MT 4 kW 112 A4 B14 X3 B3

Mounting positions



Terminal box position



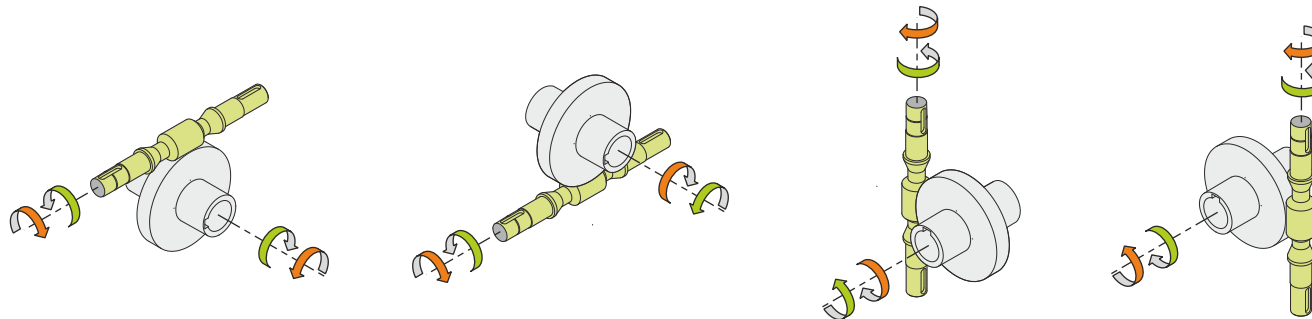
4.4



← Oil quantity [litres]

Lubricant type: Long life synthetic oil ISO VG320

Direction of rotation



Weight

Gear unit [kg]	80
Electric motor [kg]	29

Gearing data

Axial module	4.60
Number of starts	1
Lead angle	6° 11'
Pressure angle	20°

Backdriving

Static self-locking
Slow back-driving in case of vibrations
Low dynamic back-driving

M RS 150 PC 56 112 B14 AC 55 MT 4 kW 112 A4 B14 X3 B3