

### Input data

System of measurement		Metric
Input type		Gear motor
Input speed	[rpm]	1400
Output speed	[rpm]	17.5
Ratio (i=)		80
Frequency	[Hz]	50
Input options		IEC
Requested input power	[kW]	3
Service factor		1.1
Rated Power P1	[kW]	3.3

### Output data

**Gear unit** **M RS 150 PC 80 100 B14 AC 55 MT 3 kW 100 B4 B14 X3 B3**

Type		RS - Worm speed reducers
Input type		M
Size		150
Ratio (i=)		80
Input flange		B14
Mounting position		B3
Input speed	[rpm]	1400
Output speed	[rpm]	17.5
Rated output torque	[Nm]	1064.14
Service Factor		1.1
Efficiency		0.65
Inertia moment	[kgm <sup>2</sup> ]	0.005813

#### Gear unit configuration

Output shaft		Hollow output shaft
Fixing		Shaft mounting
Version		PC

#### Output radial and axial loads

Ball bearings output radial load	[N]	14000
Taper bearings output radial load	[N]	19500
Ball bearings output axial load	[N]	2800
Taper bearings output axial load	[N]	3900

#### Accessories

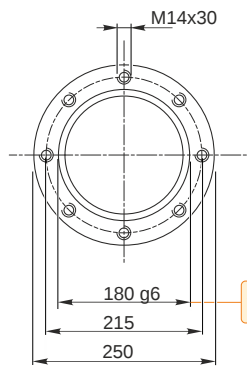
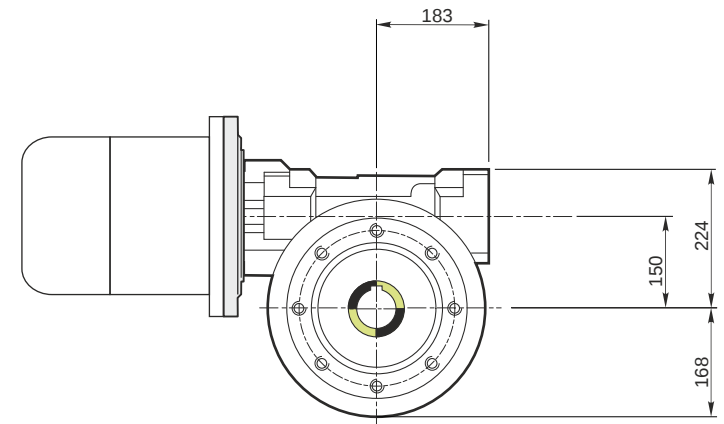
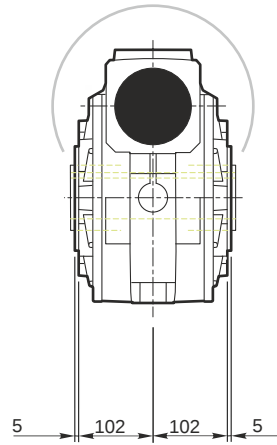
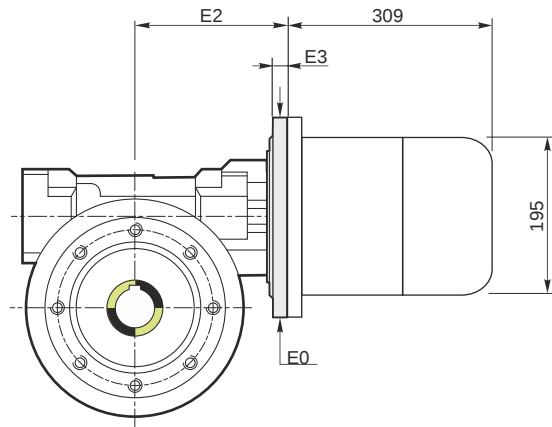
Hollow output shaft		AC 55
---------------------	--	-------

#### Electric motor

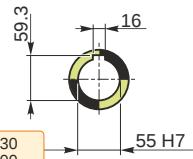
Size		100 B4
Poles		4
Power	[kW]	3

#### Electric motor configuration

Motor flange		B14
Terminal box position		X3

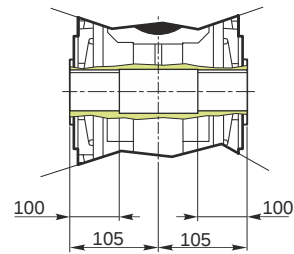


Hollow output shaft



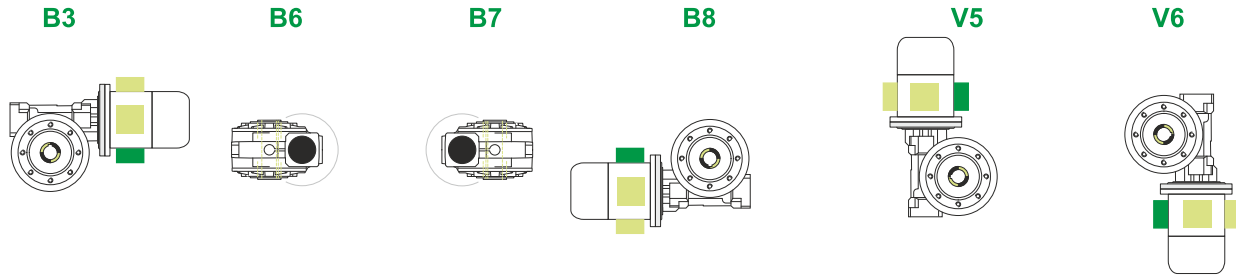
179.986  
179.961

55.030  
55.000

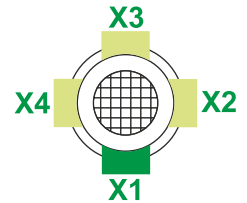


**M RS 150 PC 80 100 B14 AC 55 MT 3 kW 100 B4 B14 X3 B3**

**Mounting positions**



Terminal box position



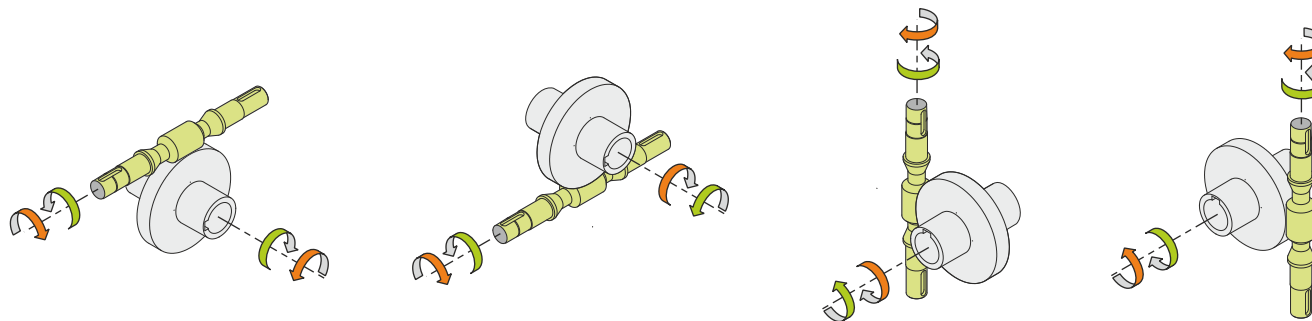
4.4



← Oil quantity [litres]

Lubricant type: Long life synthetic oil ISO VG320

**Direction of rotation**



**Weight**

Gear unit [kg]	80
Electric motor [kg]	21

**Gearing data**

Axial module	3.15
Number of starts	1
Lead angle	3° 45'
Pressure angle	20°

**Backdriving**

Static self-locking  
Slow back-driving in case of vibrations  
Low dynamic back-driving