

Input data

System of measurement		Metric
Input type		Gear motor
Input speed	[rpm]	1400
Output speed	[rpm]	14
Ratio (i=)		100
Frequency	[Hz]	50
Input options		IEC
Requested input power	[kW]	2.2
Service factor		1.2
Rated Power P1	[kW]	2.61

Output data

Gear unit **M RS 150 PC 100 100 B14 AC 55 MT 2.2 kW 100 A4 B14 X3 B3**

Type		RS - Worm speed reducers
Input type		M
Size		150
Ratio (i=)		100
Input flange		B14
Mounting position		B3
Input speed	[rpm]	1400
Output speed	[rpm]	14
Rated output torque	[Nm]	945.45
Service Factor		1.2
Efficiency		0.63
Inertia moment	[kgm ²]	0.005807

Gear unit configuration

Output shaft		Hollow output shaft
Fixing		Shaft mounting
Version		PC

Output radial and axial loads

Ball bearings output radial load	[N]	15000
Taper bearings output radial load	[N]	19500
Ball bearings output axial load	[N]	3000
Taper bearings output axial load	[N]	3900

Accessories

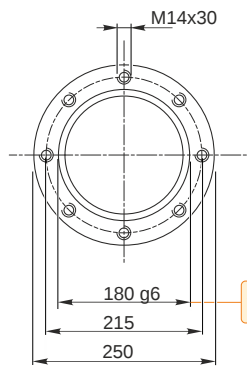
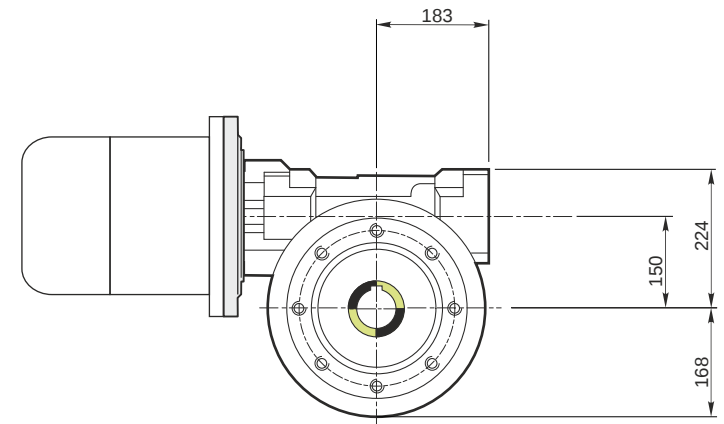
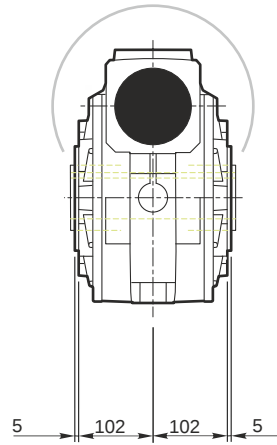
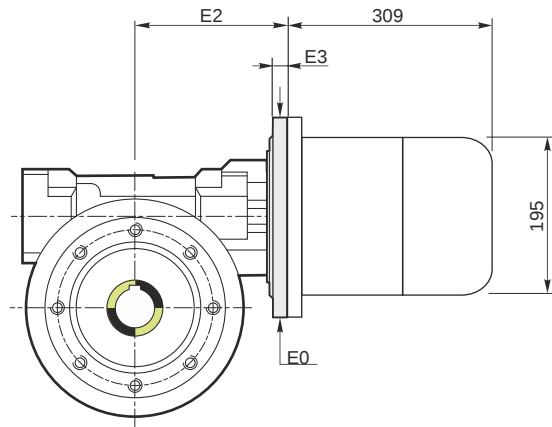
Hollow output shaft		AC 55
---------------------	--	-------

Electric motor

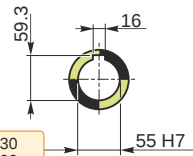
Size		100 A4
Poles		4
Power	[kW]	2.2

Electric motor configuration

Motor flange		B14
Terminal box position		X3

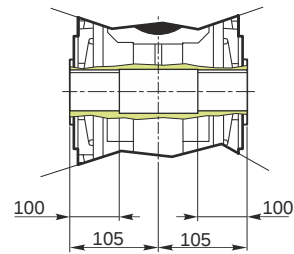


Hollow output shaft



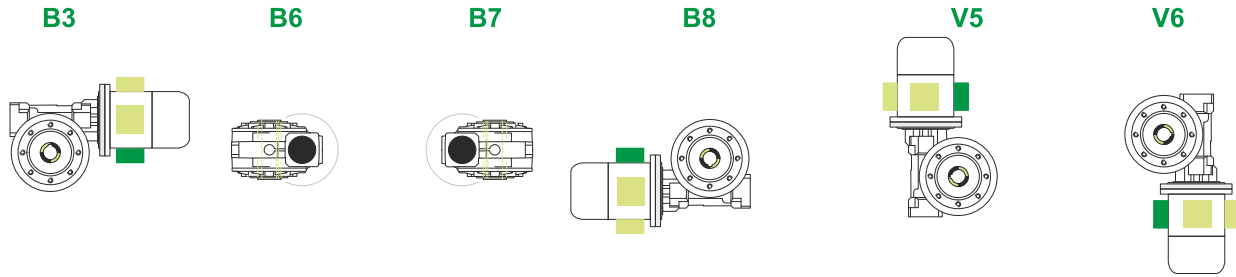
179.986
179.961

55.030
55.000

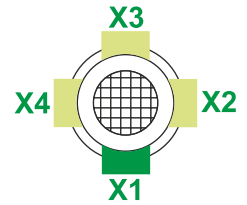


M RS 150 PC 100 100 B14 AC 55 MT 2.2 kW 100 A4 B14 X3 B3

Mounting positions



Terminal box position



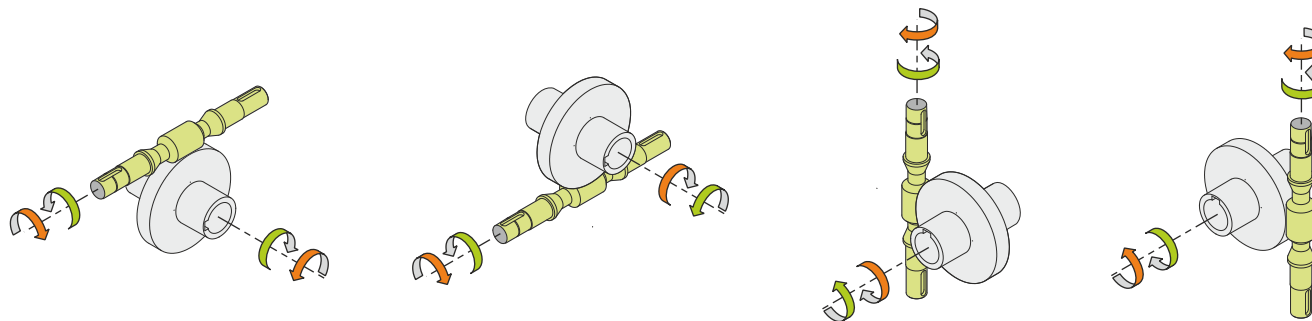
4.4



← Oil quantity [litres]

Lubricant type: Long life synthetic oil ISO VG320

Direction of rotation



Weight

Gear unit [kg]	80
Electric motor [kg]	21

Gearing data

Axial module	2.60
Number of starts	1
Lead angle	3° 43'
Pressure angle	20°

Backdriving

Static self-locking
Slow back-driving in case of vibrations
Low dynamic back-driving

M RS 150 PC 100 100 B14 AC 55 MT 2.2 kW 100 A4 B14 X3 B3