

### Input data

System of measurement		Metric
Input type		Gear motor
Input speed	[rpm]	1400
Output speed	[rpm]	3.33
Ratio (i=)		420
Frequency	[Hz]	50
Input options		IEC
Requested input power	[kW]	0.09
Service factor		0.8
Rated Power P1	[kW]	0.08

### Output data

<b>Gear unit</b>	<b>M RT/RT 28/40 B3 21 420 56 B14 AC 19 MT 0.09 kW 56 B4 B14 X3</b>	
------------------	---	--

Type		RT/RT - Worm speed reducers
Input type		M
Size		28/40
Ratio (i=)		420
Gearbox ratio		28.00
Pre-stage ratio		15.00
Input flange		B14
Input speed	[rpm]	1400
Output speed	[rpm]	3.33
Rated output torque	[Nm]	100.56
Service Factor		0.8
Efficiency		0.39

#### Gear unit configuration

Output shaft		Hollow output shaft
Fixing		Universal
Version		B3
Attachment position		21

#### Output radial and axial loads

Ball bearings output radial load	[N]	2300
Taper bearings output radial load	[N]	2600
Ball bearings output axial load	[N]	460
Taper bearings output axial load	[N]	520

#### Accessories

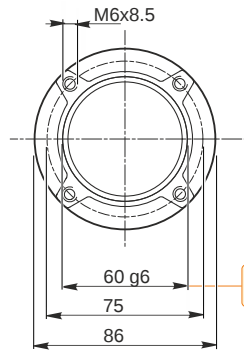
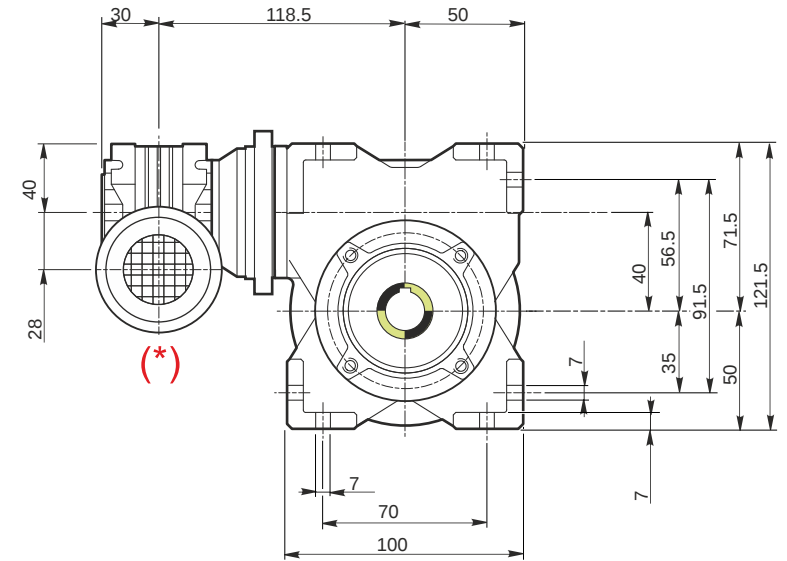
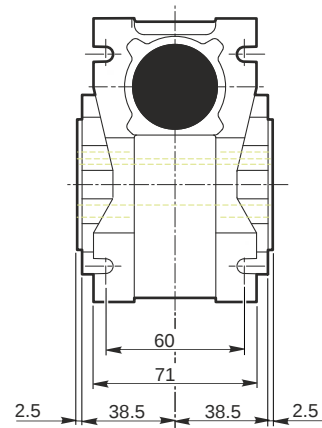
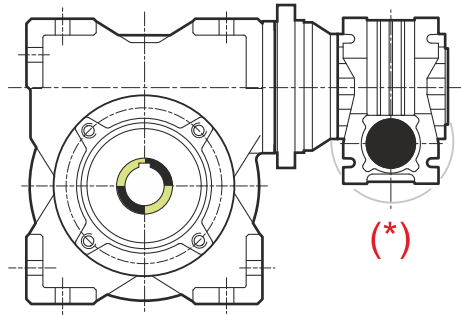
Hollow output shaft		AC 19
---------------------	--	-------

#### Electric motor

Size		56 B4
Poles		4
Power	[kW]	0.09

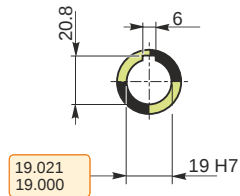
#### Electric motor configuration

Motor flange		B14
Terminal box position		X3

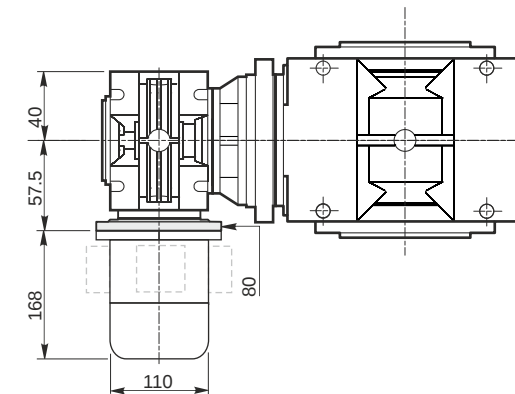
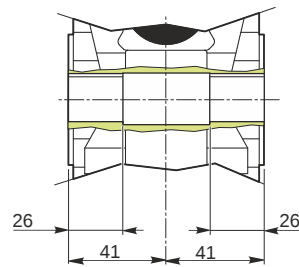


59.990  
59.971

*Hollow output shaft*

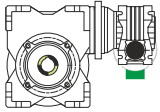


19.021  
19.000

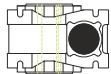


**Mounting positions**

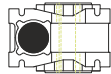
**B3**



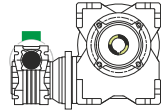
**B6**



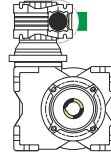
**B7**



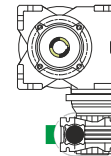
**B8**



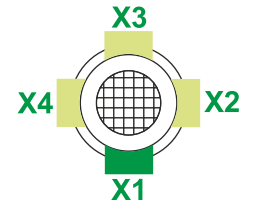
**V5**



**V6**



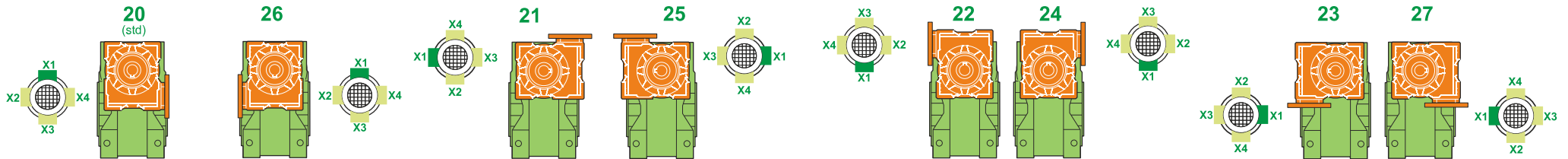
Terminal box position



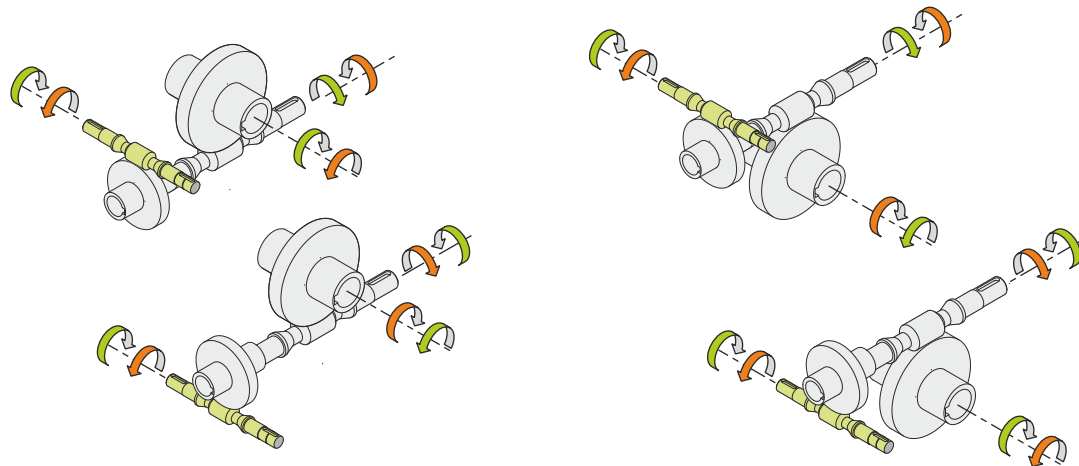
0.03	1	2	1	← Oil quantity [litres]
0.08	2	2	1	

Lubricant type: Long life synthetic oil ISO VG320

**Attachment position**



**Direction of rotation**



**Weight**

Gear unit [kg]	3.9
Electric motor [kg]	2.6

**Gearing data**

	Axial module	2.1
	Number of starts	1
	Lead angle	5° 39'
	Pressure angle	20°

**Backdriving**

Static self-locking  
Slow back-driving in case of vibrations  
Low dynamic back-driving

**M RT/RT 28/40 B3 21 420 56 B14 AC 19 MT 0.09 kW 56 B4 B14 X3**