

Input data

System of measurement		Metric
Input type		Gear motor
Input speed	[rpm]	1400
Output speed	[rpm]	2.5
Ratio (i=)		560
Frequency	[Hz]	50
Input options		IEC
Requested input power	[kW]	0.09
Service factor		1.2
Rated Power P1	[kW]	0.11

Output data

Gear unit	M RT/RT 28/50 B3 21 560 56 B14 AC 24 MT 0.09 kW 56 B4 B14 X3
------------------	---

Type		RT/RT - Worm speed reducers
Input type		M
Size		28/50
Ratio (i=)		560
Gearbox ratio		28.00
Pre-stage ratio		20.00
Input flange		B14
Input speed	[rpm]	1400
Output speed	[rpm]	2.5
Rated output torque	[Nm]	127.21
Service Factor		1.2
Efficiency		0.37

Gear unit configuration

Output shaft		Hollow output shaft
Fixing		Universal
Version		B3
Attachment position		21

Output radial and axial loads

Ball bearings output radial load	[N]	3200
Taper bearings output radial load	[N]	4200
Ball bearings output axial load	[N]	640
Taper bearings output axial load	[N]	840

Accessories

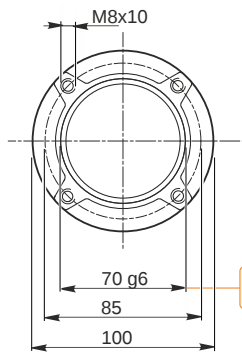
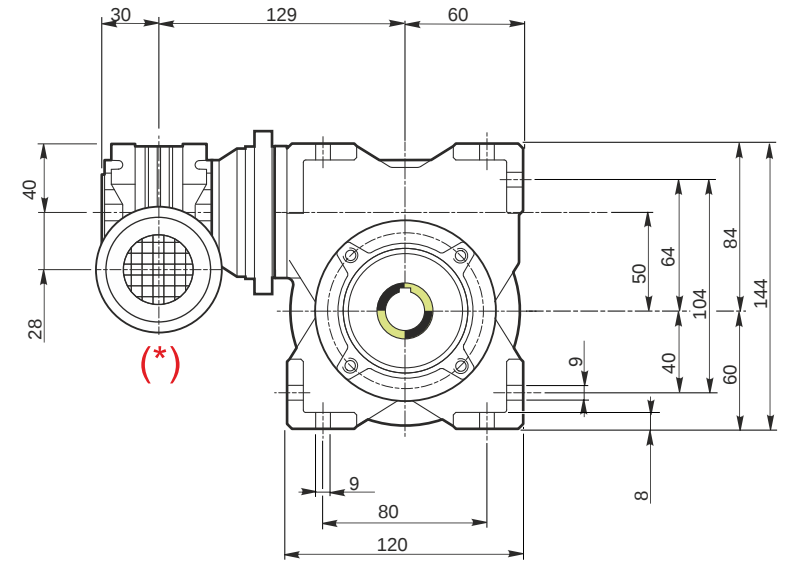
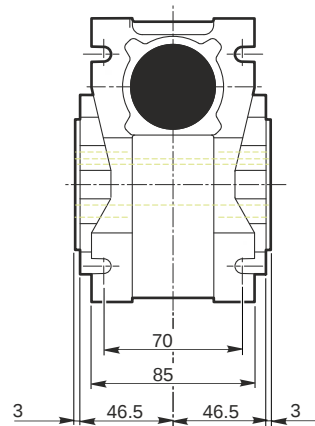
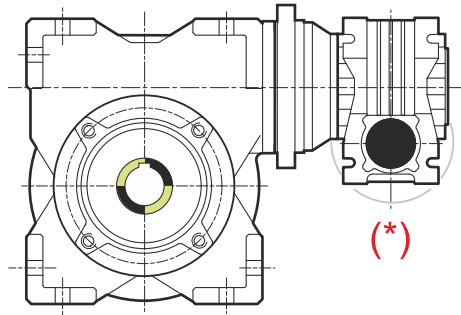
Hollow output shaft		AC 24
---------------------	--	-------

Electric motor

Size		56 B4
Poles		4
Power	[kW]	0.09

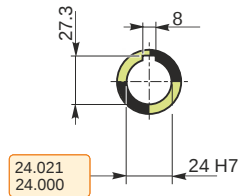
Electric motor configuration

Motor flange		B14
Terminal box position		X3

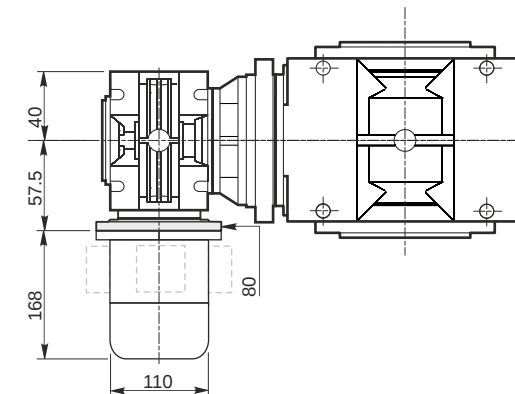
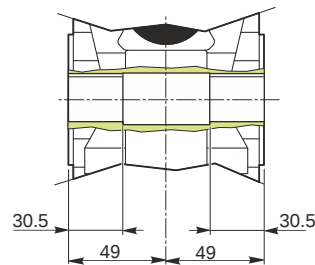


69.990
69.971

Hollow output shaft

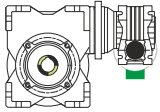


24.021
24.000

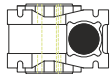


Mounting positions

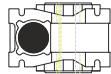
B3



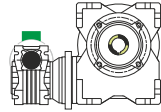
B6



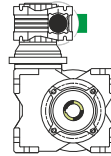
B7



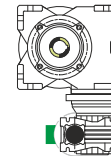
B8



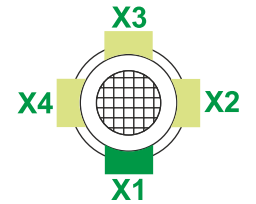
V5



V6



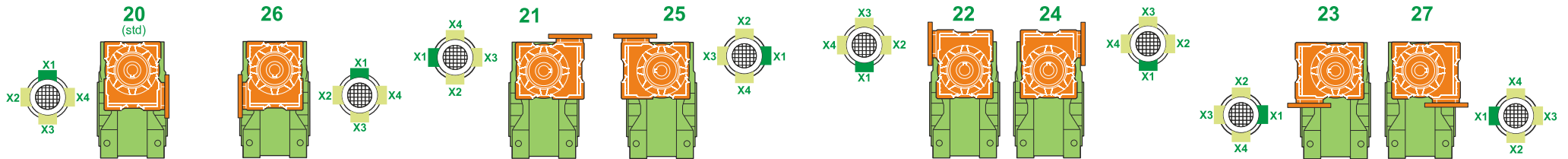
Terminal box position



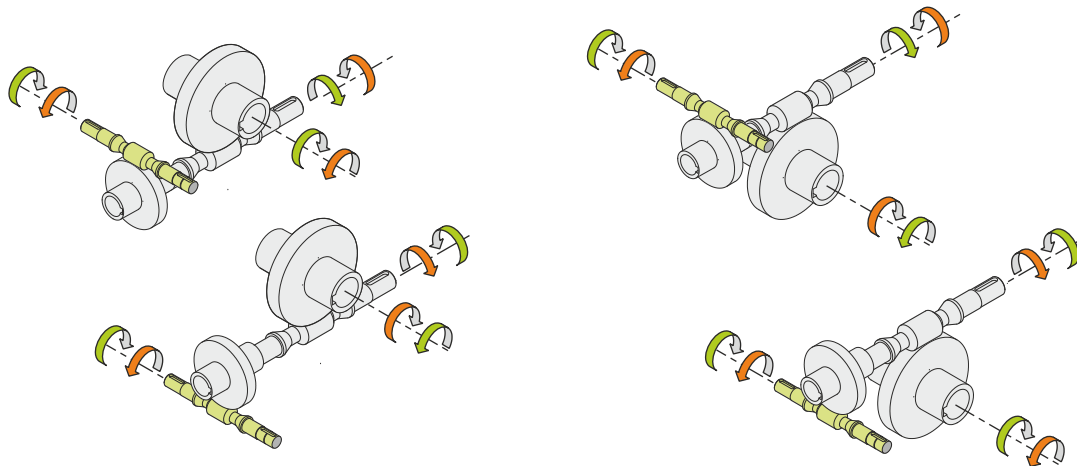
0.03	1	2	1	← Oil quantity [litres]
0.13	2	1	2	

Lubricant type: Long life synthetic oil ISO VG320

Attachment position



Direction of rotation



Weight

Gear unit [kg]	5.2
Electric motor [kg]	2.6

Gearing data

	Axial module	2.7
	Number of starts	1
	Lead angle	6° 19'
	Pressure angle	20°

Backdriving

Static self-locking
Slow back-driving in case of vibrations
Low dynamic back-driving

M RT/RT 28/50 B3 21 560 56 B14 AC 24 MT 0.09 kW 56 B4 B14 X3