

### Input data

System of measurement		Metric
Input type		Gear motor
Input speed	[rpm]	1400
Output speed	[rpm]	1.79
Ratio (i=)		784
Frequency	[Hz]	50
Input options		IEC
Requested input power	[kW]	0.09
Service factor		1
Rated Power P1	[kW]	0.09

### Output data

<b>Gear unit</b>	<b>M RT/RT 28/50 B3 21 784 56 B14 AC 24 MT 0.09 kW 56 B4 B14 X3</b>
------------------	---

Type		RT/RT - Worm speed reducers
Input type		M
Size		28/50
Ratio (i=)		784
Gearbox ratio		28.00
Pre-stage ratio		28.00
Input flange		B14
Input speed	[rpm]	1400
Output speed	[rpm]	1.79
Rated output torque	[Nm]	158.84
Service Factor		1
Efficiency		0.33

#### Gear unit configuration

Output shaft		Hollow output shaft
Fixing		Universal
Version		B3
Attachment position		21

#### Output radial and axial loads

Ball bearings output radial load	[N]	3200
Taper bearings output radial load	[N]	4200
Ball bearings output axial load	[N]	640
Taper bearings output axial load	[N]	840

#### Accessories

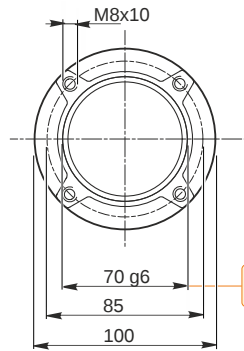
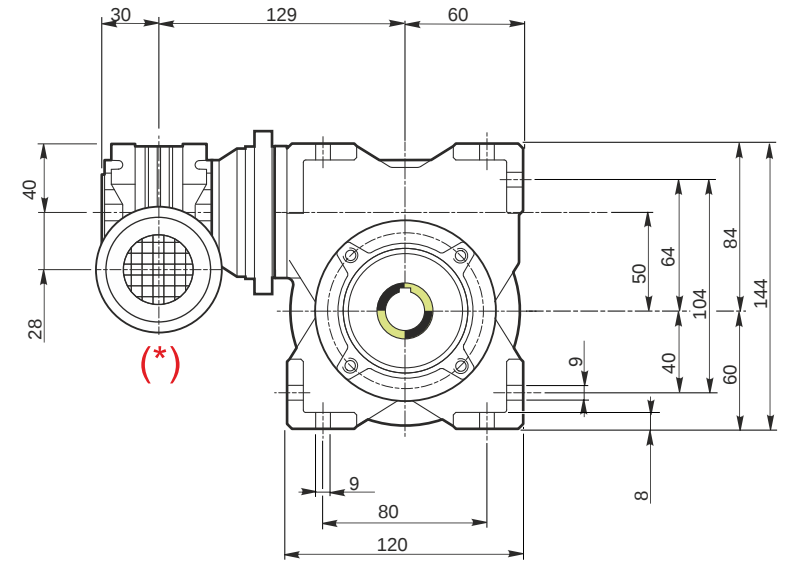
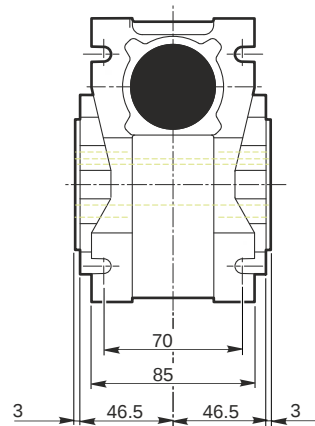
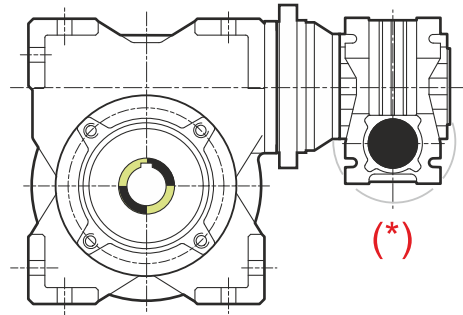
Hollow output shaft		AC 24
---------------------	--	-------

#### Electric motor

Size		56 B4
Poles		4
Power	[kW]	0.09

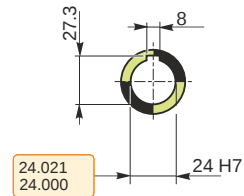
#### Electric motor configuration

Motor flange		B14
Terminal box position		X3

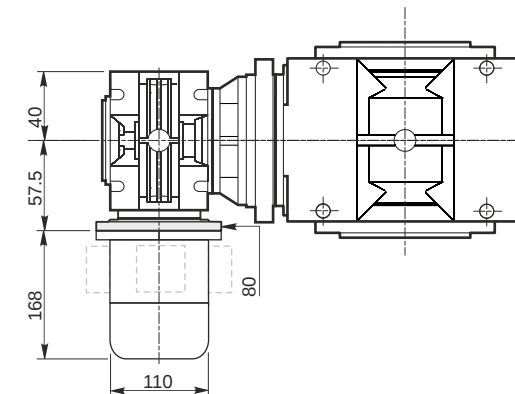
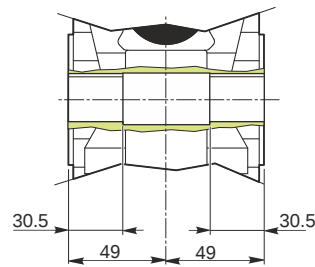


69.990  
69.971

Hollow output shaft

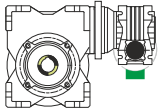


24.021  
24.000

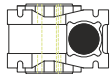


**Mounting positions**

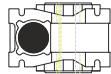
**B3**



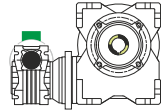
**B6**



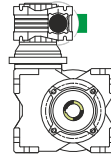
**B7**



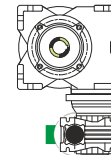
**B8**



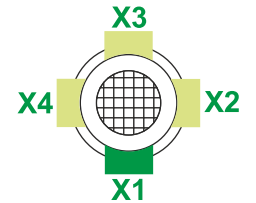
**V5**



**V6**



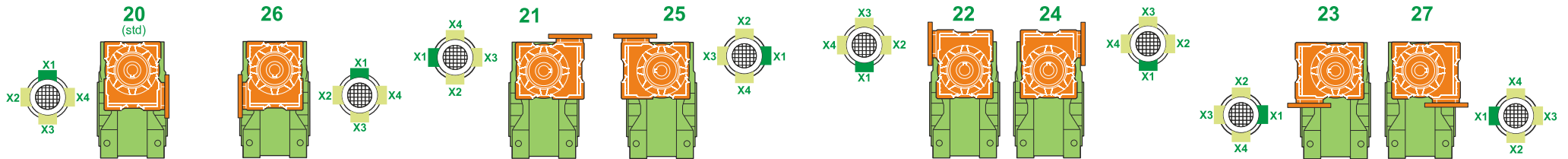
Terminal box position



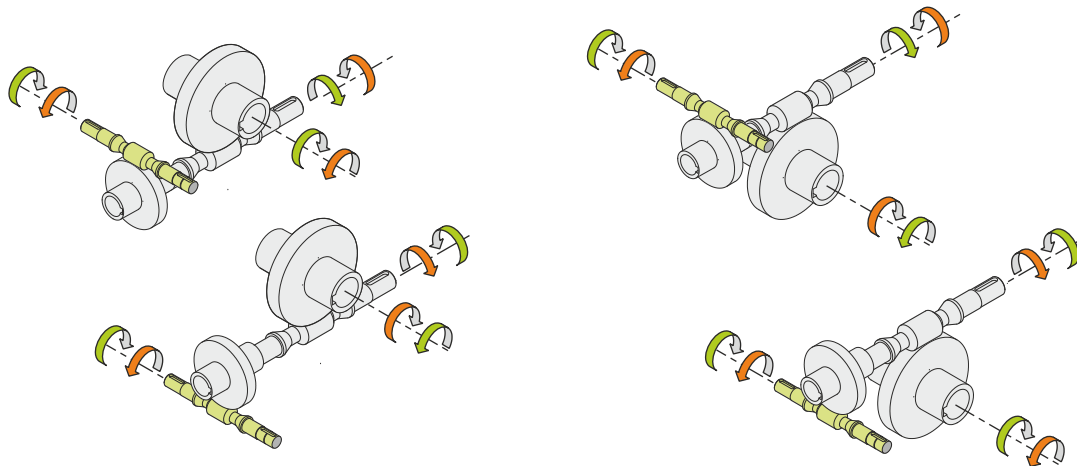
0.03	1	2	1	← Oil quantity [litres]
0.13	2	2	1	

Lubricant type: Long life synthetic oil ISO VG320

**Attachment position**



**Direction of rotation**



**Weight**

Gear unit [kg]	5.2
Electric motor [kg]	2.6

**Gearing data**

	Axial module	2.7
	Number of starts	1
	Lead angle	6° 19'
	Pressure angle	20°

**Backdriving**

Static self-locking  
Slow back-driving in case of vibrations  
Low dynamic back-driving

**M RT/RT 28/50 B3 21 784 56 B14 AC 24 MT 0.09 kW 56 B4 B14 X3**