

Input data

System of measurement		Metric
Input type		Gear motor
Input speed	[rpm]	1400
Output speed	[rpm]	2.5
Ratio (i=)		560
Frequency	[Hz]	50
Input options		IEC
Requested input power	[kW]	0.13
Service factor		0.8
Rated Power P1	[kW]	0.1

Output data

Gear unit	M RT/RT 28/60 B3 21 560 63 B14 AC 25 MT 0.13 kW 63 A4 B14 X3
------------------	---

Type		RT/RT - Worm speed reducers
Input type		M
Size		28/60
Ratio (i=)		560
Gearbox ratio		28.00
Pre-stage ratio		20.00
Input flange		B14
Input speed	[rpm]	1400
Output speed	[rpm]	2.5
Rated output torque	[Nm]	198.64
Service Factor		0.8
Efficiency		0.4

Gear unit configuration

Output shaft		Hollow output shaft
Fixing		Universal
Version		B3
Attachment position		21

Output radial and axial loads

Ball bearings output radial load	[N]	5600
Taper bearings output radial load	[N]	6600
Ball bearings output axial load	[N]	1120
Taper bearings output axial load	[N]	1320

Accessories

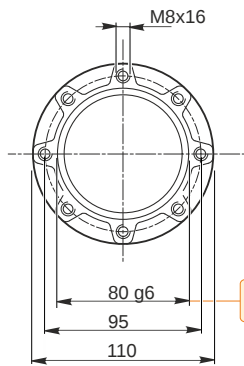
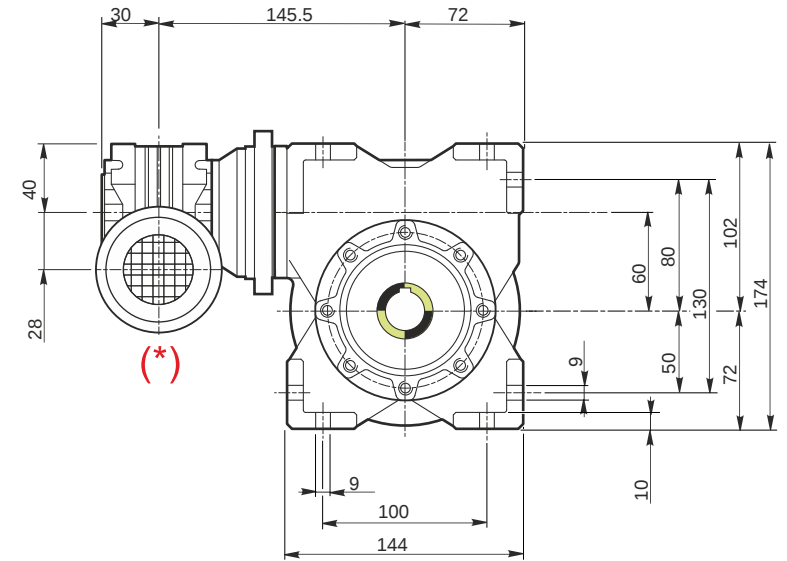
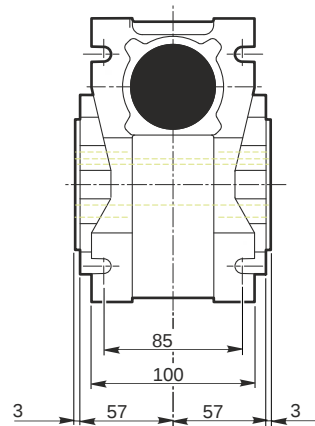
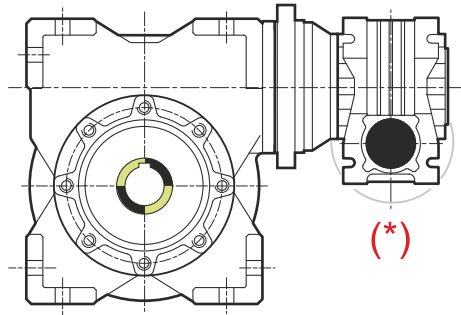
Hollow output shaft		AC 25
---------------------	--	-------

Electric motor

Size		63 A4
Poles		4
Power	[kW]	0.13

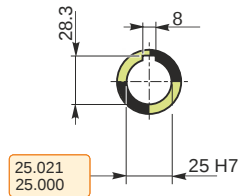
Electric motor configuration

Motor flange		B14
Terminal box position		X3

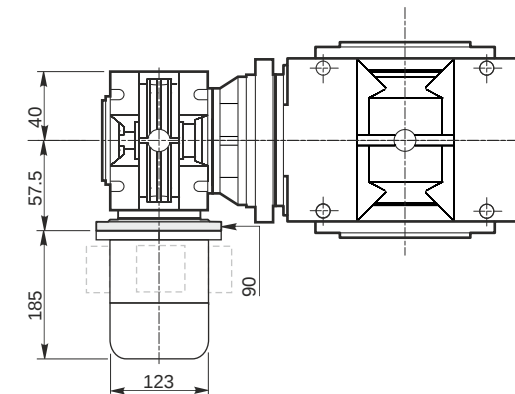
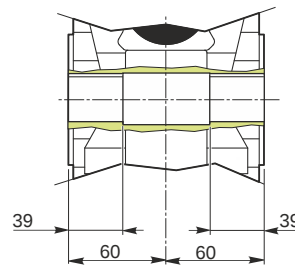


79.990
79.971

Hollow output shaft

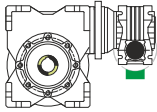


25.021
25.000

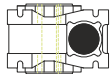


Mounting positions

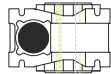
B3



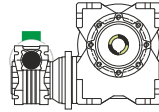
B6



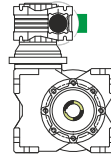
B7



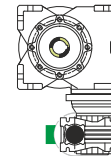
B8



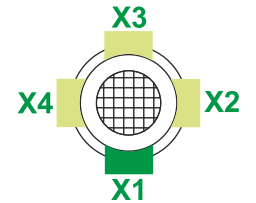
V5



V6



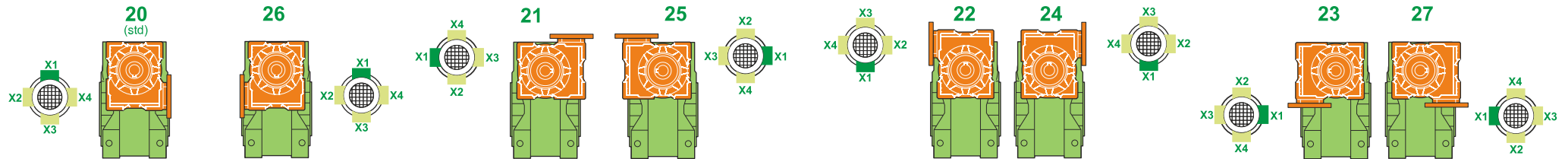
Terminal box position



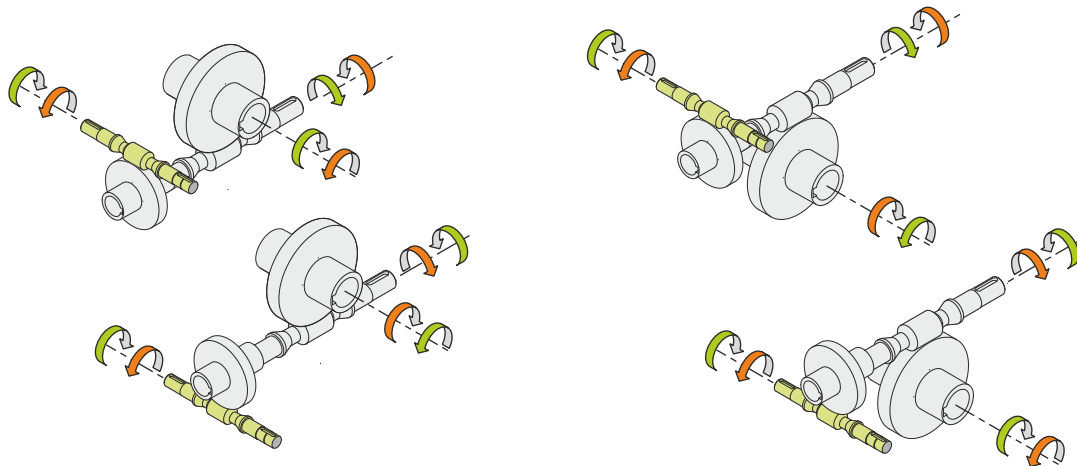
0.03	1	2	1	← Oil quantity [litres]
0.23	2	1	2	

Lubricant type: Long life synthetic oil ISO VG320

Attachment position



Direction of rotation



Weight

Gear unit [kg]	7.9
Electric motor [kg]	4.3

Gearing data

	Axial module	3.3
	Number of starts	1
	Lead angle	6° 49'
	Pressure angle	20°

Backdriving

Static self-locking
Slow back-driving in case of vibrations
Low dynamic back-driving

M RT/RT 28/60 B3 21 560 63 B14 AC 25 MT 0.13 kW 63 A4 B14 X3