

Input data

System of measurement		Metric
Input type		Gear motor
Input speed	[rpm]	1400
Output speed	[rpm]	3.33
Ratio (i=)		420
Frequency	[Hz]	50
Input options		IEC
Requested input power	[kW]	0.37
Service factor		0.8
Rated Power P1	[kW]	0.3

Output data

Gear unit	M RT/RT 40/70 B3 21 420 71 B14 AC 28 MT 0.37 kW 71 B4 B14 X3
------------------	---

Type		RT/RT - Worm speed reducers
Input type		M
Size		40/70
Ratio (i=)		420
Gearbox ratio		28.00
Pre-stage ratio		15.00
Input flange		B14
Input speed	[rpm]	1400
Output speed	[rpm]	3.33
Rated output torque	[Nm]	466.42
Service Factor		0.8
Efficiency		0.44

Gear unit configuration

Output shaft		Hollow output shaft
Fixing		Universal
Version		B3
Attachment position		21

Output radial and axial loads

Ball bearings output radial load	[N]	6700
Taper bearings output radial load	[N]	7900
Ball bearings output axial load	[N]	1340
Taper bearings output axial load	[N]	1580

Accessories

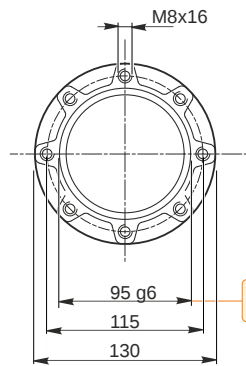
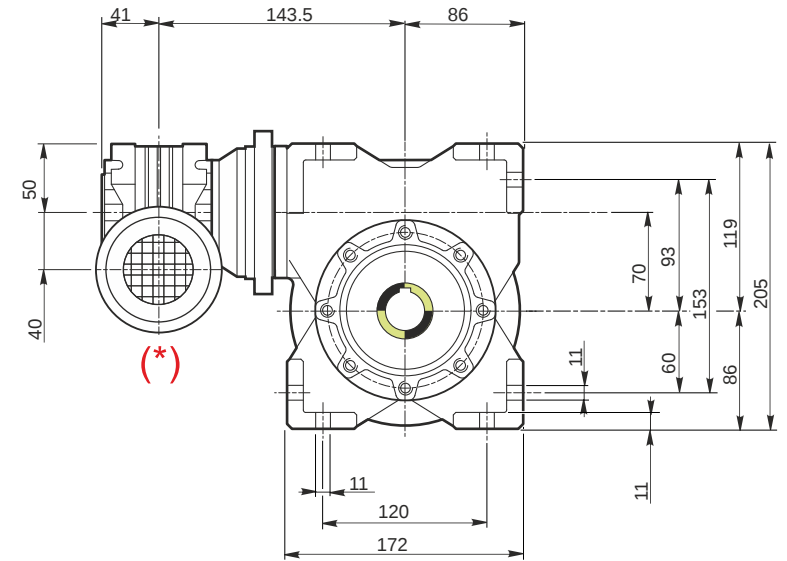
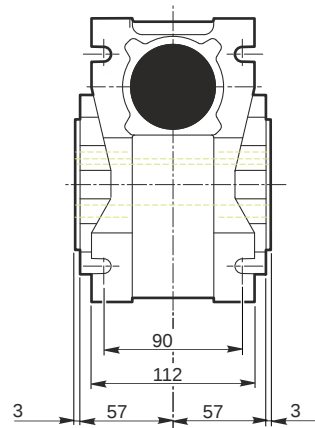
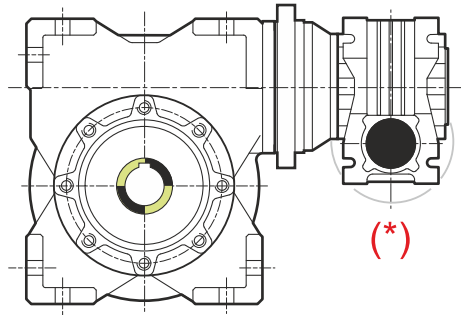
Hollow output shaft		AC 28
---------------------	--	-------

Electric motor

Size		71 B4
Poles		4
Power	[kW]	0.37

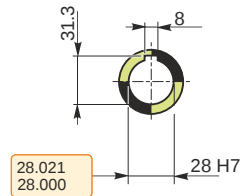
Electric motor configuration

Motor flange		B14
Terminal box position		X3

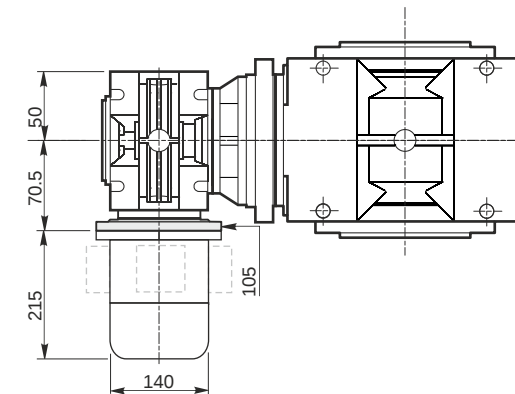
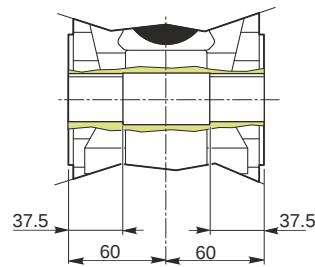


94.988
94.966

Hollow output shaft

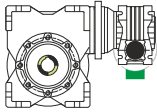


28.021
28.000

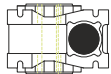


Mounting positions

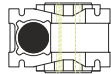
B3



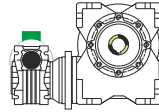
B6



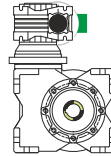
B7



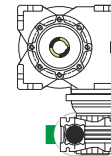
B8



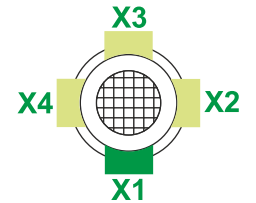
V5



V6



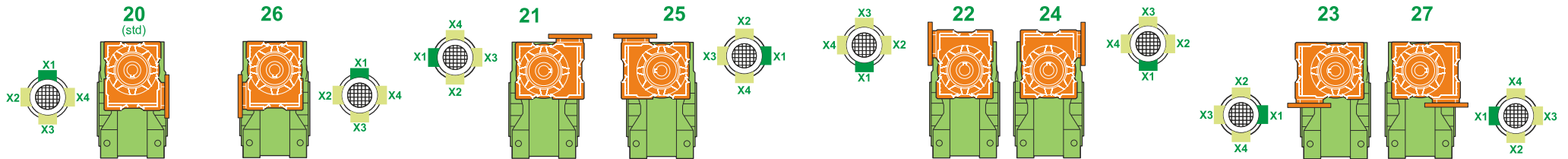
Terminal box position



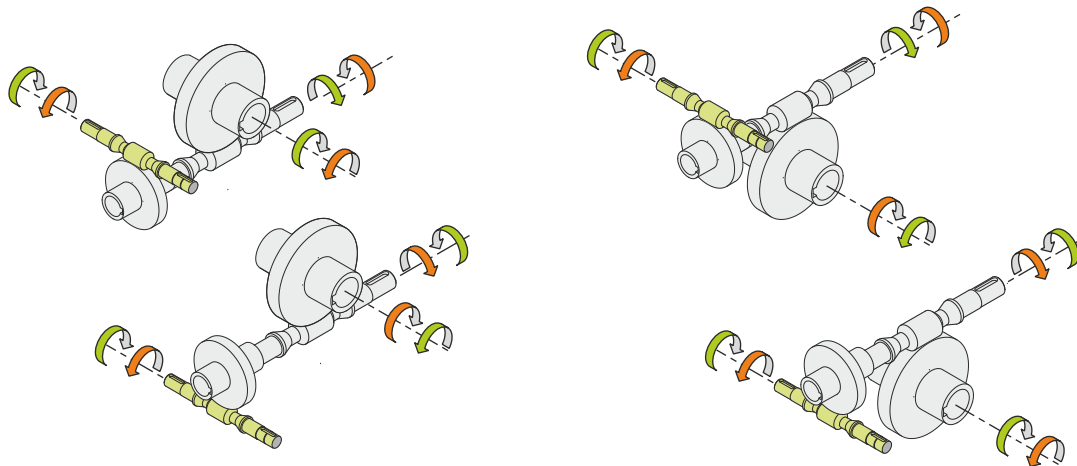
0.08	1	2	1	← Oil quantity [litres]
0.35	2	2	1	

Lubricant type: Long life synthetic oil ISO VG320

Attachment position



Direction of rotation



Weight

Gear unit [kg]	12
Electric motor [kg]	6.2

Gearing data

2	Axial module	3.9
	Number of starts	1
	Lead angle	7° 12'
	Pressure angle	20°

Backdriving

Static self-locking
Slow back-driving in case of vibrations
Low dynamic back-driving

M RT/RT 40/70 B3 21 420 71 B14 AC 28 MT 0.37 kW 71 B4 B14 X3