

### Input data

System of measurement		Metric
Input type		Gear motor
Input speed	[rpm]	1400
Output speed	[rpm]	1.79
Ratio (i=)		784
Frequency	[Hz]	50
Input options		IEC
Requested input power	[kW]	0.25
Service factor		0.8
Rated Power P1	[kW]	0.2

### Output data

<b>Gear unit</b>	<b>M RT/RT 40/70 B3 21 784 71 B14 AC 28 MT 0.25 kW 71 A4 B14 X3</b>	
------------------	---	--

Type		RT/RT - Worm speed reducers
Input type		M
Size		40/70
Ratio (i=)		784
Gearbox ratio		28.00
Pre-stage ratio		28.00
Input flange		B14
Input speed	[rpm]	1400
Output speed	[rpm]	1.79
Rated output torque	[Nm]	508.06
Service Factor		0.8
Efficiency		0.38

#### Gear unit configuration

Output shaft		Hollow output shaft
Fixing		Universal
Version		B3
Attachment position		21

#### Output radial and axial loads

Ball bearings output radial load	[N]	6700
Taper bearings output radial load	[N]	7900
Ball bearings output axial load	[N]	1340
Taper bearings output axial load	[N]	1580

#### Accessories

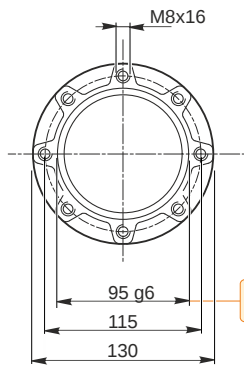
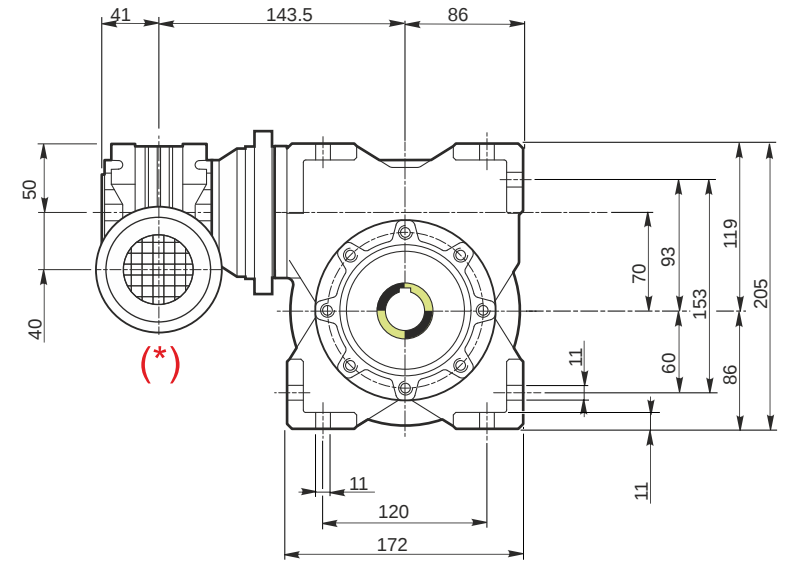
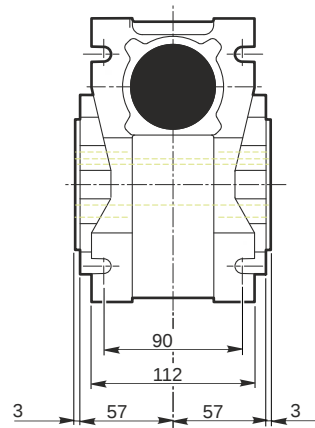
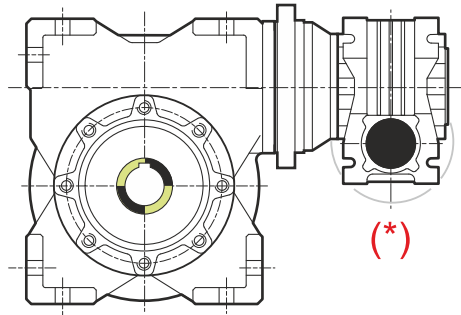
Hollow output shaft		AC 28
---------------------	--	-------

### Electric motor

Size		71 A4
Poles		4
Power	[kW]	0.25

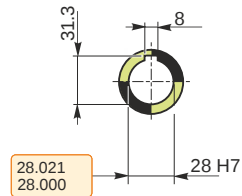
#### Electric motor configuration

Motor flange		B14
Terminal box position		X3

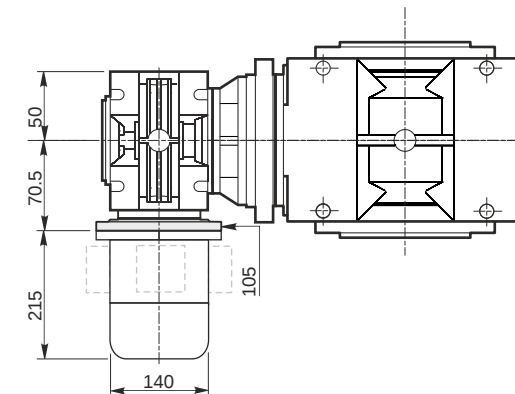
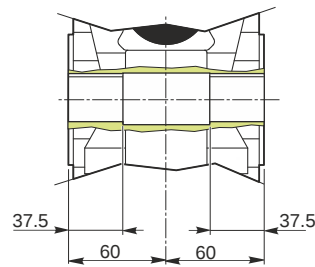


94.988  
94.966

*Hollow output shaft*

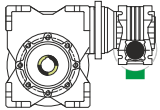


28.021  
28.000

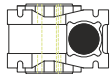


**Mounting positions**

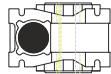
**B3**



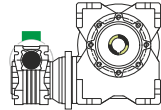
**B6**



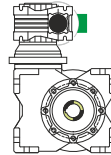
**B7**



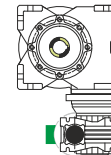
**B8**



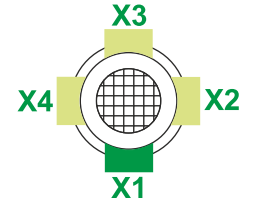
**V5**



**V6**



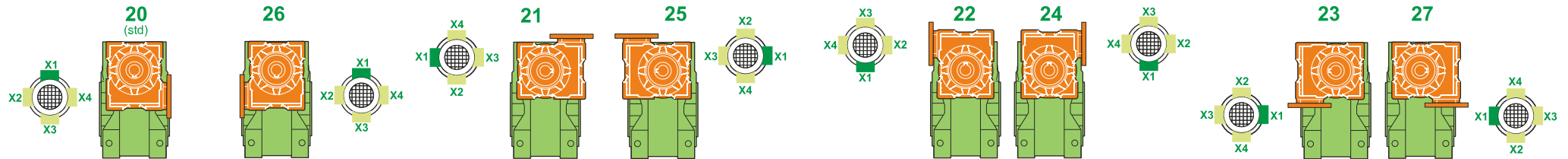
Terminal box position



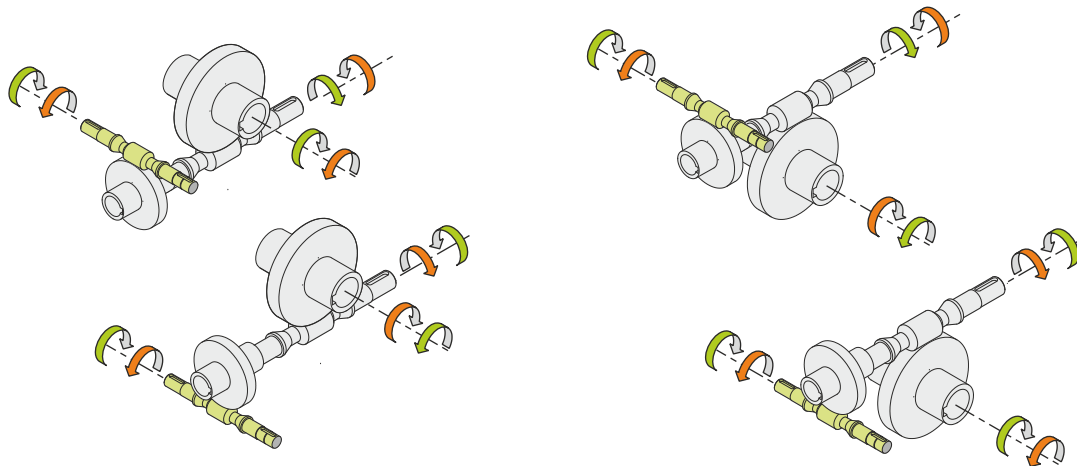
0.08	1	2	1	← Oil quantity [litres]
0.35	2	2	1	

Lubricant type: Long life synthetic oil ISO VG320

**Attachment position**



**Direction of rotation**



**Weight**

Gear unit [kg]	12
Electric motor [kg]	6.2

**Gearing data**

	Axial module	3.9
	Number of starts	1
	Lead angle	7° 12'
	Pressure angle	20°

**Backdriving**

Static self-locking  
Slow back-driving in case of vibrations  
Low dynamic back-driving

**M RT/RT 40/70 B3 21 784 71 B14 AC 28 MT 0.25 kW 71 A4 B14 X3**