

Input data

System of measurement		Metric
Input type		Gear motor
Input speed	[rpm]	1400
Output speed	[rpm]	0.5
Ratio (i=)		2800
Frequency	[Hz]	50
Input options		IEC
Requested input power	[kW]	0.09
Service factor		0.8
Rated Power P1	[kW]	0.07

Output data

Gear unit	M RT/RT 40/70 B3 21 2800 56 B5 AC 28 MT 0.09 kW 56 B4 B5 X2
------------------	--

Type		RT/RT - Worm speed reducers
Input type		M
Size		40/70
Ratio (i=)		2800
Gearbox ratio		40.00
Pre-stage ratio		70.00
Input flange		B5
Input speed	[rpm]	1400
Output speed	[rpm]	0.5
Rated output torque	[Nm]	429.75
Service Factor		0.8
Efficiency		0.25

Gear unit configuration

Output shaft		Hollow output shaft
Fixing		Universal
Version		B3
Attachment position		21

Output radial and axial loads

Ball bearings output radial load	[N]	6700
Taper bearings output radial load	[N]	7900
Ball bearings output axial load	[N]	1340
Taper bearings output axial load	[N]	1580

Accessories

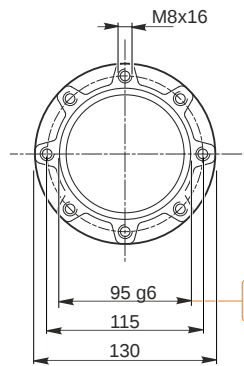
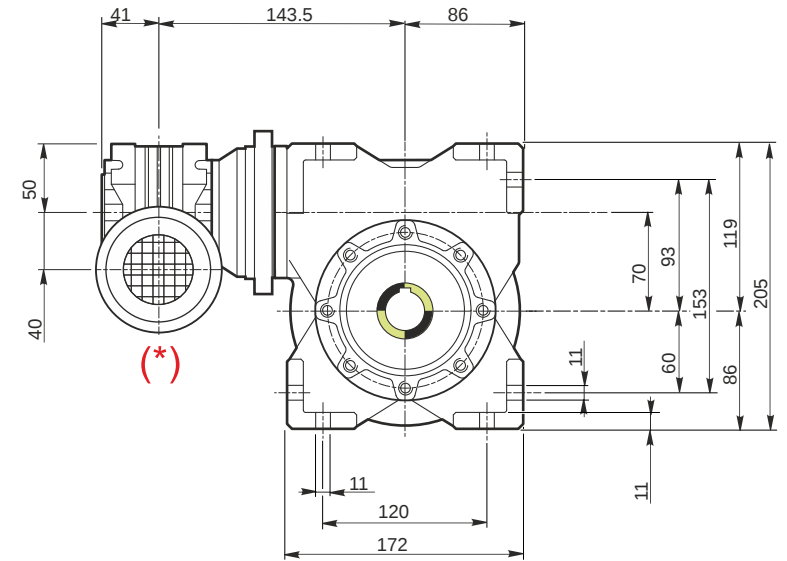
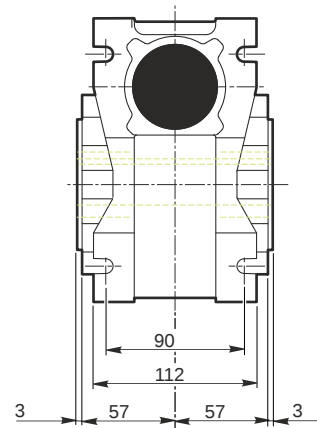
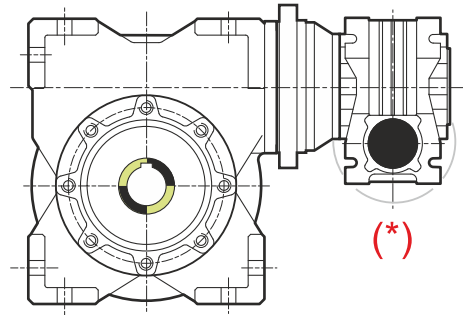
Hollow output shaft		AC 28
---------------------	--	-------

Electric motor

Size		56 B4
Poles		4
Power	[kW]	0.09

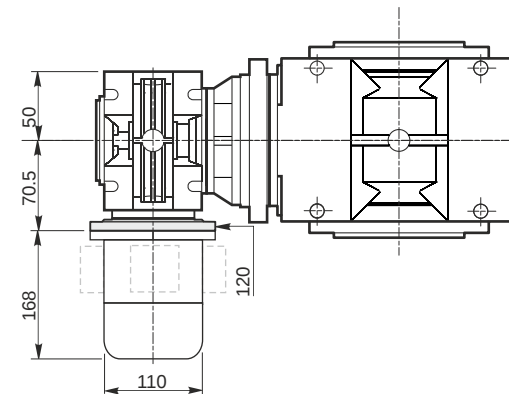
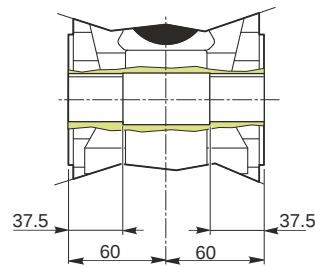
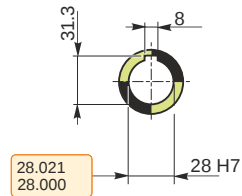
Electric motor configuration

Motor flange		B5
Terminal box position		X2



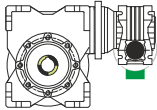
94.988
94.966

Hollow output shaft

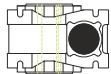


Mounting positions

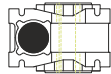
B3



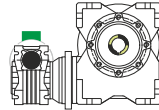
B6



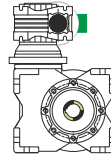
B7



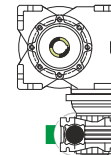
B8



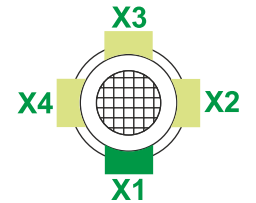
V5



V6



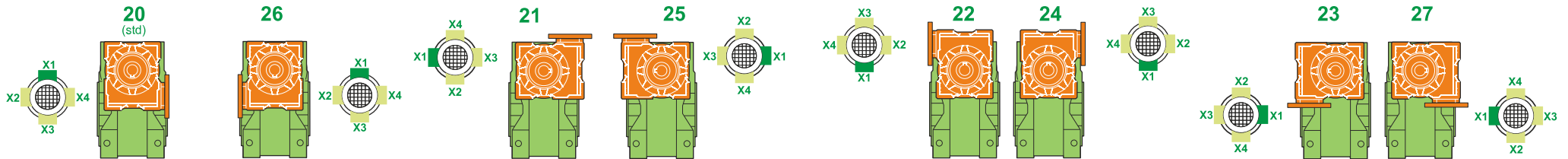
Terminal box position



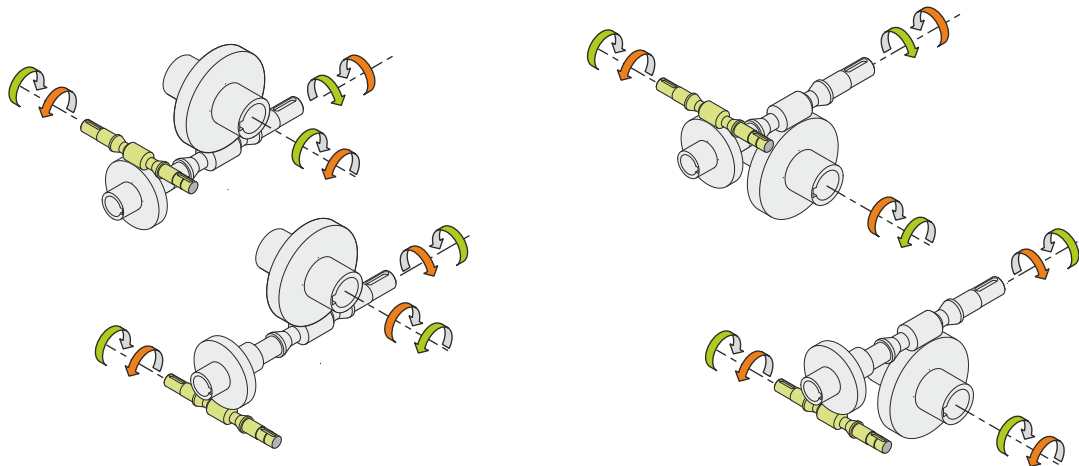
0.08	1	2	1	← Oil quantity [litres]
0.35	2	2	1	

Lubricant type: Long life synthetic oil ISO VG320

Attachment position



Direction of rotation



Weight

Gear unit [kg]	12
Electric motor [kg]	2.6

Gearing data

	Axial module	2.8
	Number of starts	1
	Lead angle	5° 42'
	Pressure angle	20°

Backdriving

- Static self-locking
- No back-driving
- No dynamic back-driving

M RT/RT 40/70 B3 21 2800 56 B5 AC 28 MT 0.09 kW 56 B4 B5 X2