

### Input data

System of measurement		Metric
Input type		Gear motor
Input speed	[rpm]	1400
Output speed	[rpm]	0.89
Ratio (i=)		1568
Frequency	[Hz]	50
Input options		IEC
Requested input power	[kW]	0.18
Service factor		1
Rated Power P1	[kW]	0.05

### Output data

<b>Gear unit</b>	<b>M RT/RT 40/85 B3 21 1568 63 B14 AC 32 MT 0.18 kW 63 B4 B14 X3</b>
------------------	--

Type		RT/RT - Worm speed reducers
Input type		M
Size		40/85
Ratio (i=)		1568
Gearbox ratio		28.00
Pre-stage ratio		56.00
Input flange		B14
Input speed	[rpm]	1400
Output speed	[rpm]	0.89
Rated output torque	[Nm]	616.09
Service Factor		1
Efficiency		0.32

#### Gear unit configuration

Output shaft		Hollow output shaft
Fixing		Universal
Version		B3
Attachment position		21

#### Output radial and axial loads

Ball bearings output radial load	[N]	8300
Taper bearings output radial load	[N]	9400
Ball bearings output axial load	[N]	1660
Taper bearings output axial load	[N]	1880

#### Accessories

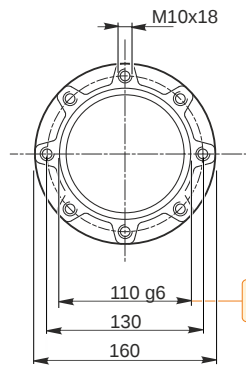
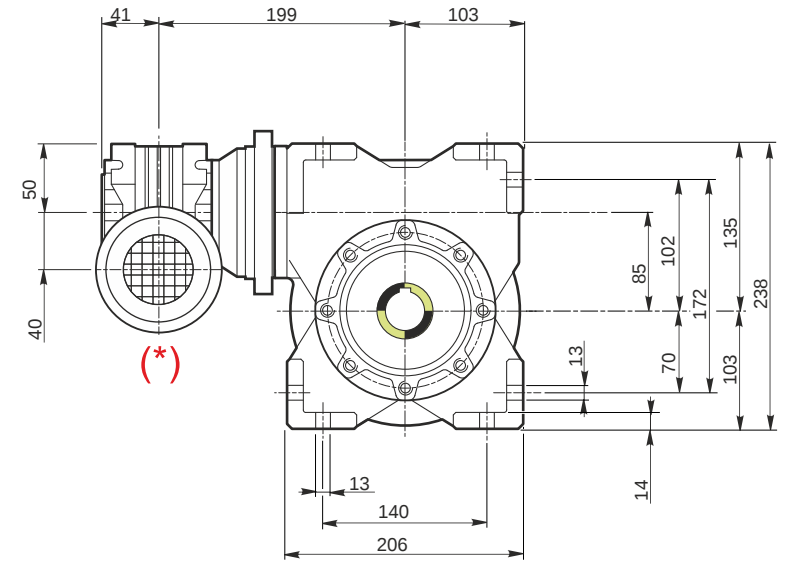
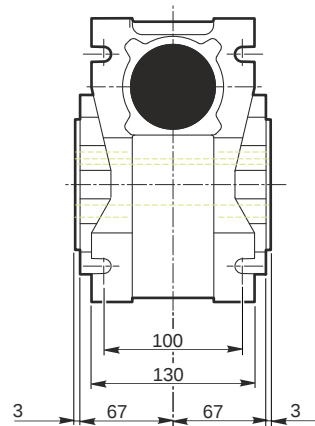
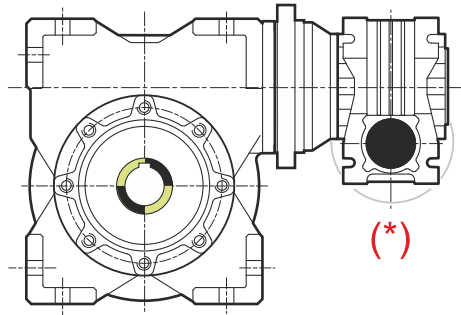
Hollow output shaft		AC 32
---------------------	--	-------

#### Electric motor

Size		63 B4
Poles		4
Power	[kW]	0.18

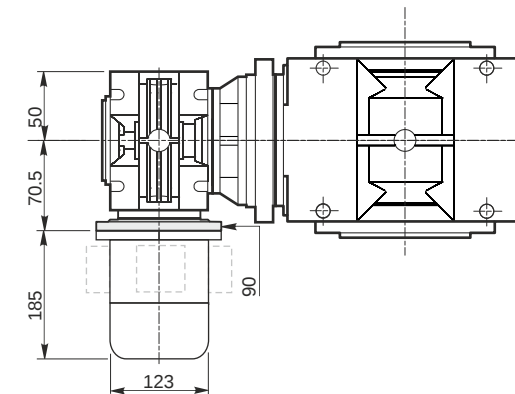
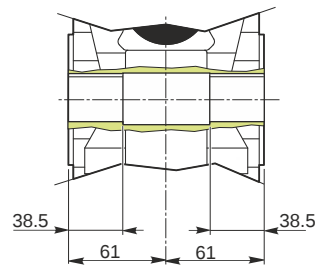
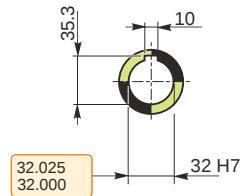
#### Electric motor configuration

Motor flange		B14
Terminal box position		X3



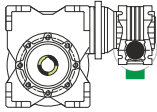
109.988  
109.966

*Hollow output shaft*

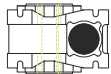


**Mounting positions**

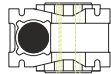
**B3**



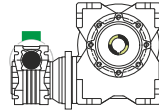
**B6**



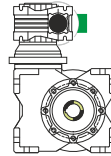
**B7**



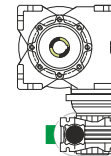
**B8**



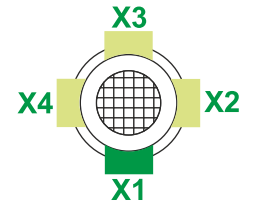
**V5**



**V6**



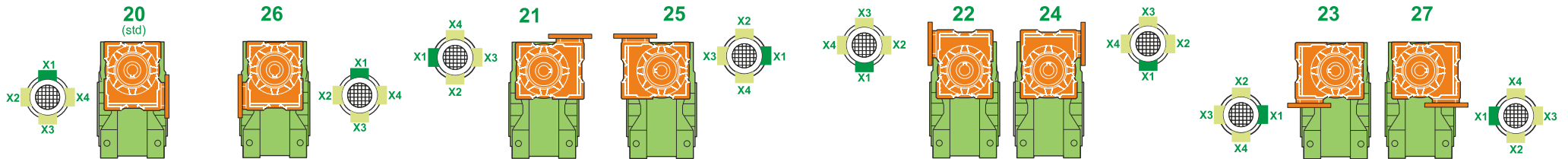
Terminal box position



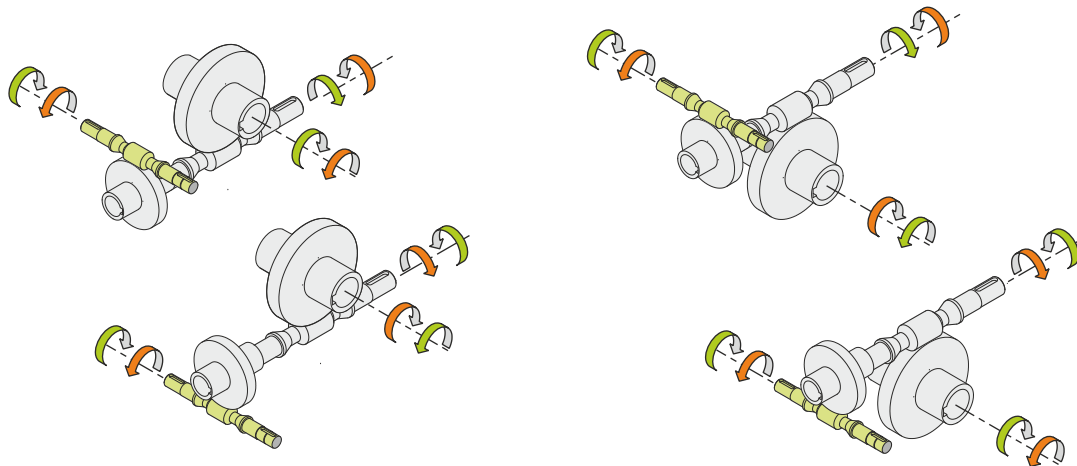
0.08	1	2	1	← Oil quantity [litres]
0.6	2	2	1	

Lubricant type: Long life synthetic oil ISO VG320

**Attachment position**



**Direction of rotation**



**Weight**

Gear unit [kg]	16.5
Electric motor [kg]	4.3

**Gearing data**

2	Axial module	4.7
	Number of starts	1
	Lead angle	6° 58'
	Pressure angle	20°

**Backdriving**

Static self-locking  
Slow back-driving in case of vibrations  
Low dynamic back-driving

**M RT/RT 40/85 B3 21 1568 63 B14 AC 32 MT 0.18 kW 63 B4 B14 X3**