

Input data

System of measurement		Metric
Input type		Gear motor
Input speed	[rpm]	1400
Output speed	[rpm]	2.5
Ratio (i=)		560
Frequency	[Hz]	50
Input options		IEC
Requested input power	[kW]	0.06
Service factor		1
Rated Power P1	[kW]	0.06

Output data

Gear unit **M RS/RS 28/40 S (bolted) 11 560 56 B14 AC 19 MT 0.06 kW 56 A4 B14 X3 B3**

Type		RS/RS - Worm speed reducers
Input type		M
Size		28/40
Ratio (i=)		560
Gearbox ratio		28.00
Pre-stage ratio		20.00
Input flange		B14
Mounting position		B3
Input speed	[rpm]	1400
Output speed	[rpm]	2.5
Rated output torque	[Nm]	84.8
Service Factor		1
Efficiency		0.37

Gear unit configuration

Output shaft		Hollow output shaft
Fixing		Feet
Version		S (bolted)
Attachment position		11

Output radial and axial loads

Ball bearings output radial load	[N]	2300
Taper bearings output radial load	[N]	2600
Ball bearings output axial load	[N]	460
Taper bearings output axial load	[N]	520

Accessories

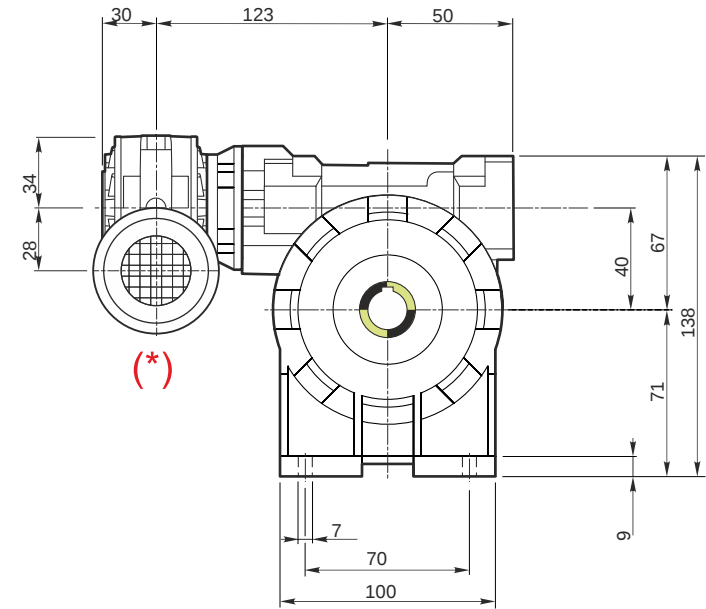
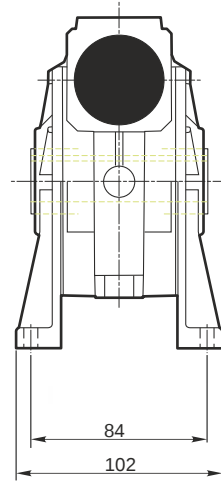
Hollow output shaft		AC 19
---------------------	--	-------

Electric motor

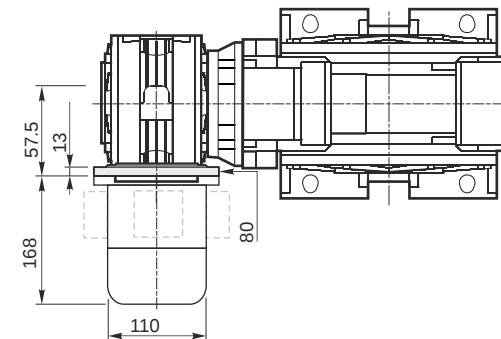
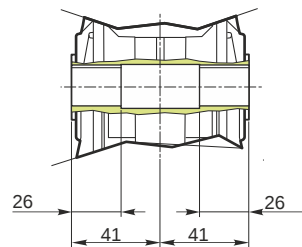
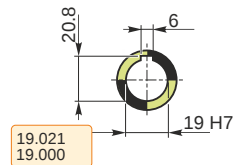
Size		56 A4
Poles		4
Power	[kW]	0.06

Electric motor configuration

Motor flange		B14
Terminal box position		X3

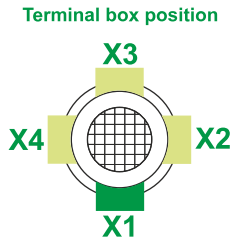
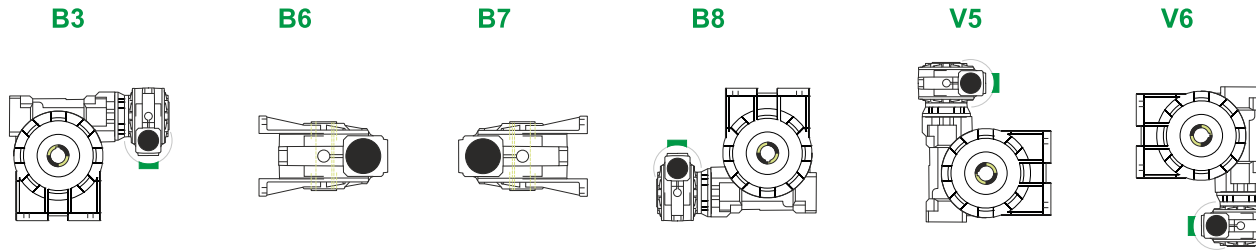


Hollow output shaft

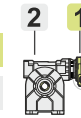


M RS/RS 28/40 S (bolted) 11 560 56 B14 AC 19 MT 0.06 kW 56 A4 B14 X3 B3

Mounting positions



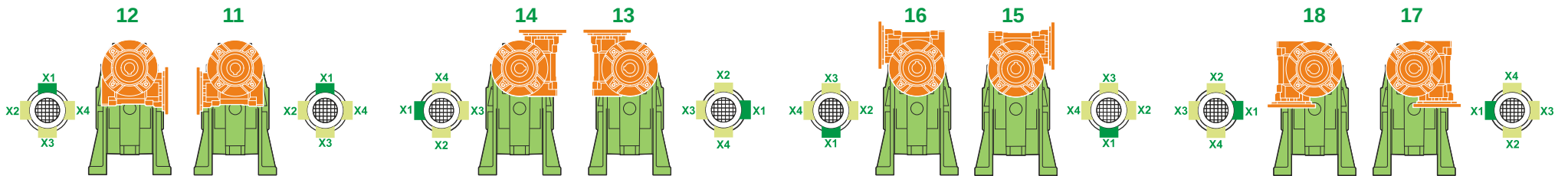
0.03	1
0.08	2



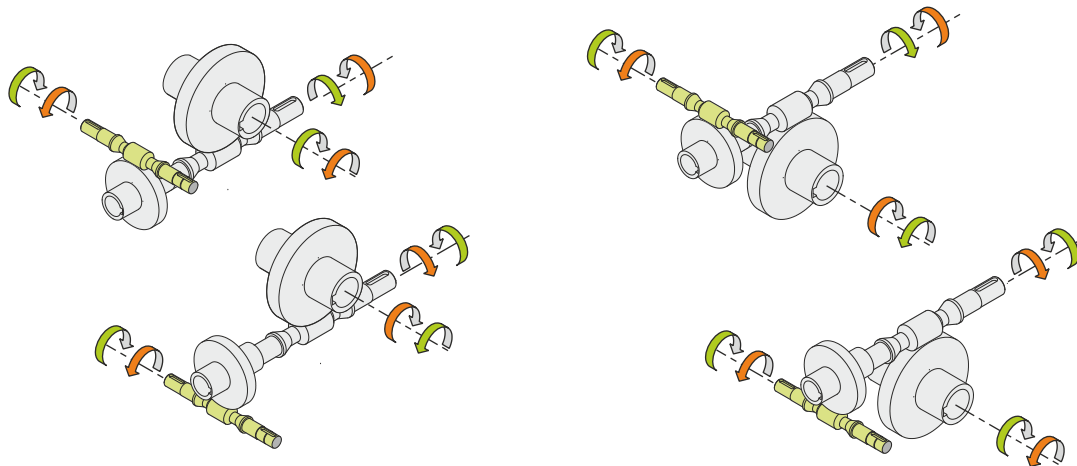
Oil quantity [litres]

Lubricant type: Long life synthetic oil ISO VG320

Attachment position



Direction of rotation



Weight

Gear unit [kg]	3.9
Electric motor [kg]	2.6

Gearing data 2



Axial module	2.1
Number of starts	1
Lead angle	1
Pressure angle	50°39'

Backdriving

- Static self-locking
- Slow back-driving in case of vibrations
- Low dynamic back-driving

M RS/RS 28/40 S (bolted) 11 560 56 B14 AC 19 MT 0.06 kW 56 A4 B14 X3 B3