

Input data

System of measurement		Metric
Input type		Gear motor
Input speed	[rpm]	1400
Output speed	[rpm]	0.89
Ratio (i=)		1568
Frequency	[Hz]	50
Input options		IEC
Requested input power	[kW]	0.06
Service factor		1
Rated Power P1	[kW]	0.06

Output data

Gear unit **M RS/RS 28/50 S (bolted) 11 1568 56 B14 AC 24 MT 0.06 kW 56 A4 B14 X3 B3**

Type		RS/RS - Worm speed reducers
Input type		M
Size		28/50
Ratio (i=)		1568
Gearbox ratio		28.00
Pre-stage ratio		56.00
Input flange		B14
Mounting position		B3
Input speed	[rpm]	1400
Output speed	[rpm]	0.89
Rated output torque	[Nm]	160.44
Service Factor		1
Efficiency		0.25

Gear unit configuration

Output shaft		Hollow output shaft
Fixing		Feet
Version		S (bolted)
Attachment position		11

Output radial and axial loads

Ball bearings output radial load	[N]	3200
Taper bearings output radial load	[N]	4200
Ball bearings output axial load	[N]	640
Taper bearings output axial load	[N]	840

Accessories

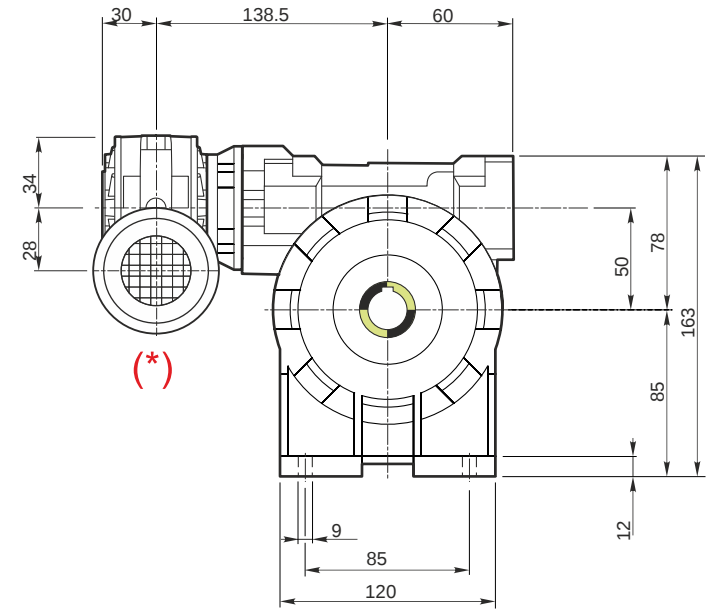
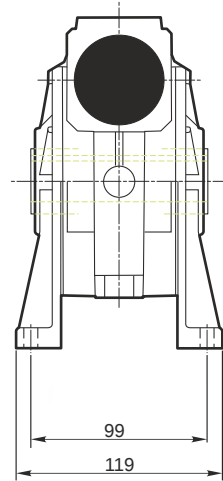
Hollow output shaft		AC 24
---------------------	--	-------

Electric motor

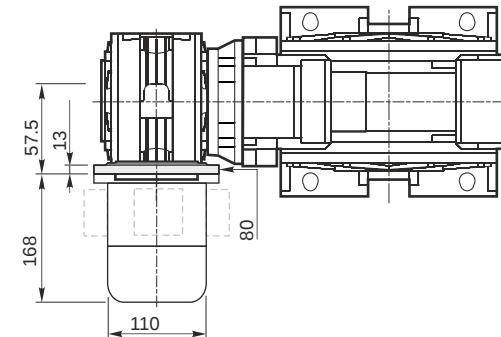
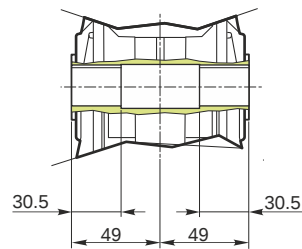
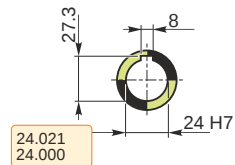
Size		56 A4
Poles		4
Power	[kW]	0.06

Electric motor configuration

Motor flange		B14
Terminal box position		X3

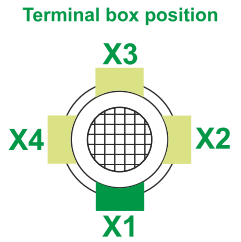
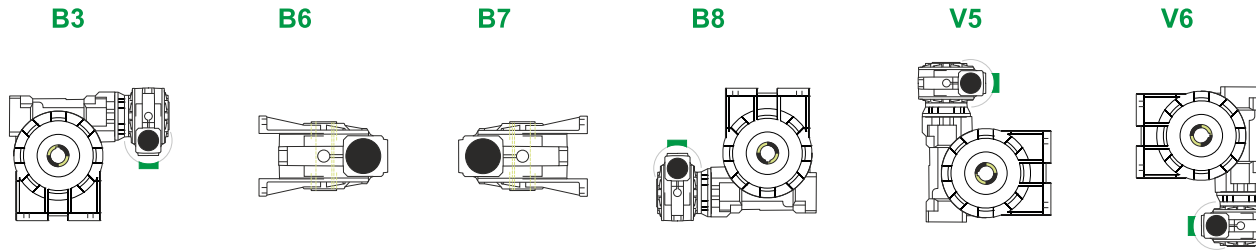


Hollow output shaft



M RS/RS 28/50 S (bolted) 11 1568 56 B14 AC 24 MT 0.06 kW 56 A4 B14 X3 B3

Mounting positions

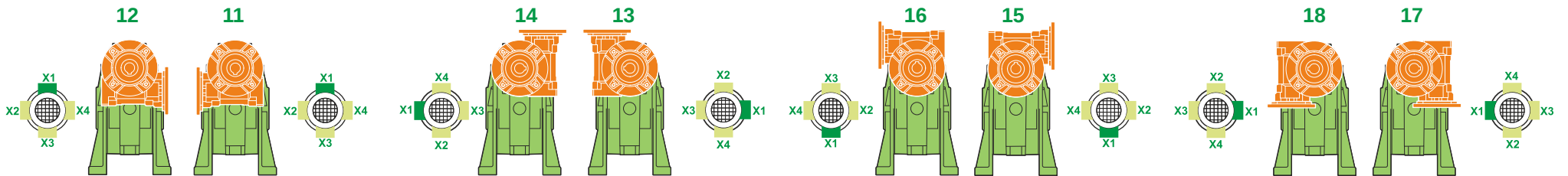


0.03	1
0.13	2

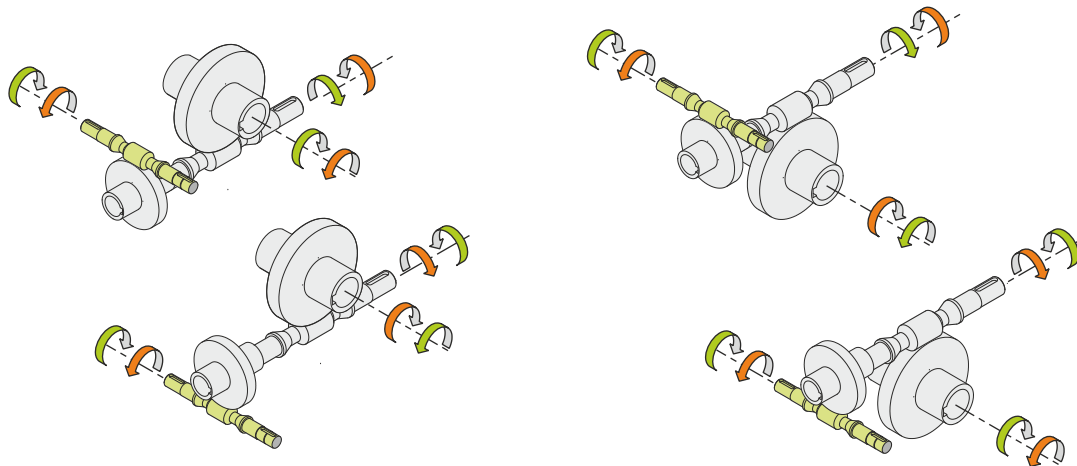


Lubricant type: Long life synthetic oil ISO VG320

Attachment position



Direction of rotation



Weight

Gear unit [kg]	5.2
Electric motor [kg]	2.6

Gearing data 2

	Axial module	2.7
	Number of starts	1
	Lead angle	1
	Pressure angle	20° 19'

Backdriving

- Static self-locking
- Slow back-driving in case of vibrations
- Low dynamic back-driving

M RS/RS 28/50 S (bolted) 11 1568 56 B14 AC 24 MT 0.06 kW 56 A4 B14 X3 B3