

### Input data

System of measurement		Metric
Input type		Gear motor
Input speed	[rpm]	1400
Output speed	[rpm]	0.89
Ratio (i=)		1568
Frequency	[Hz]	50
Input options		IEC
Requested input power	[kW]	0.13
Service factor		0.9
Rated Power P1	[kW]	0.12

### Output data

**Gear unit** **M RS/RS 40/70 S (bolted) 11 1568 63 B14 AC 28 MT 0.13 kW 63 A4 B14 X3 B3**

Type		RS/RS - Worm speed reducers
Input type		M
Size		40/70
Ratio (i=)		1568
Gearbox ratio		28.00
Pre-stage ratio		56.00
Input flange		B14
Mounting position		B3
Input speed	[rpm]	1400
Output speed	[rpm]	0.89
Rated output torque	[Nm]	417.14
Service Factor		0.9
Efficiency		0.3

#### Gear unit configuration

Output shaft		Hollow output shaft
Fixing		Feet
Version		S (bolted)
Attachment position		11

#### Output radial and axial loads

Ball bearings output radial load	[N]	6700
Taper bearings output radial load	[N]	7900
Ball bearings output axial load	[N]	1340
Taper bearings output axial load	[N]	1580

#### Accessories

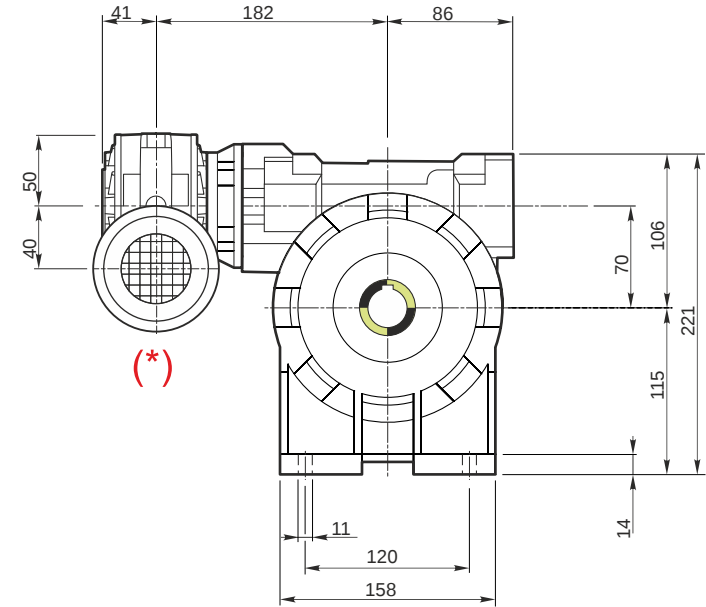
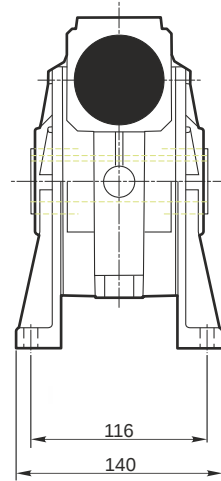
Hollow output shaft		AC 28
---------------------	--	-------

#### Electric motor

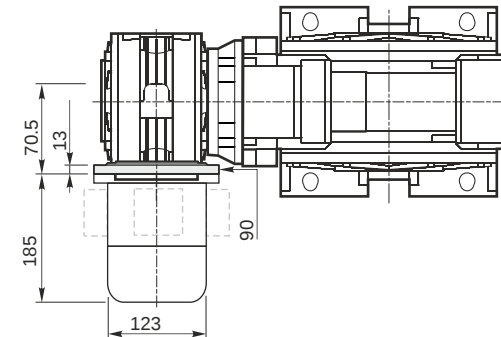
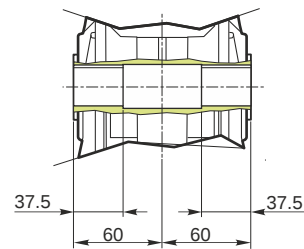
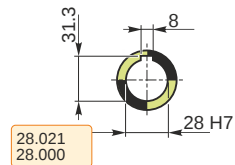
Size		63 A4
Poles		4
Power	[kW]	0.13

#### Electric motor configuration

Motor flange		B14
Terminal box position		X3

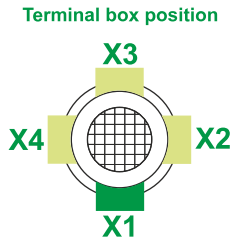
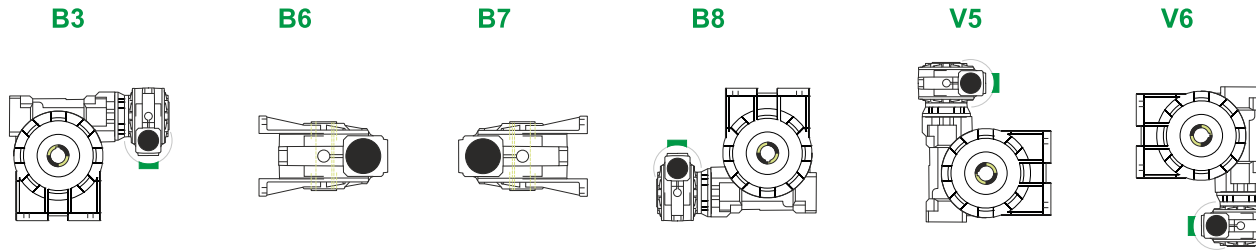


**Hollow output shaft**



**M RS/RS 40/70 S (bolted) 11 1568 63 B14 AC 28 MT 0.13 kW 63 A4 B14 X3 B3**

**Mounting positions**

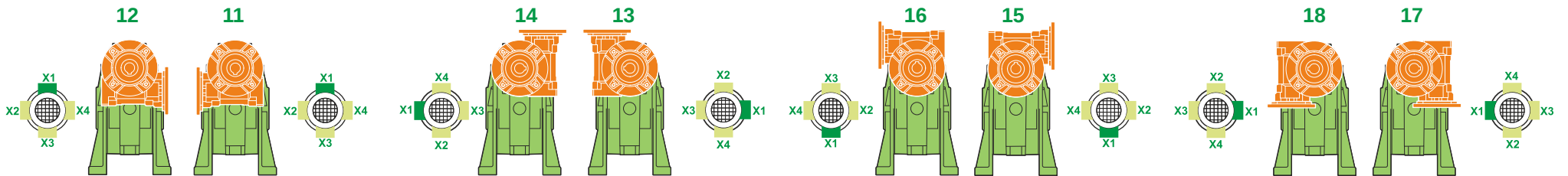


0.08	1
0.35	2

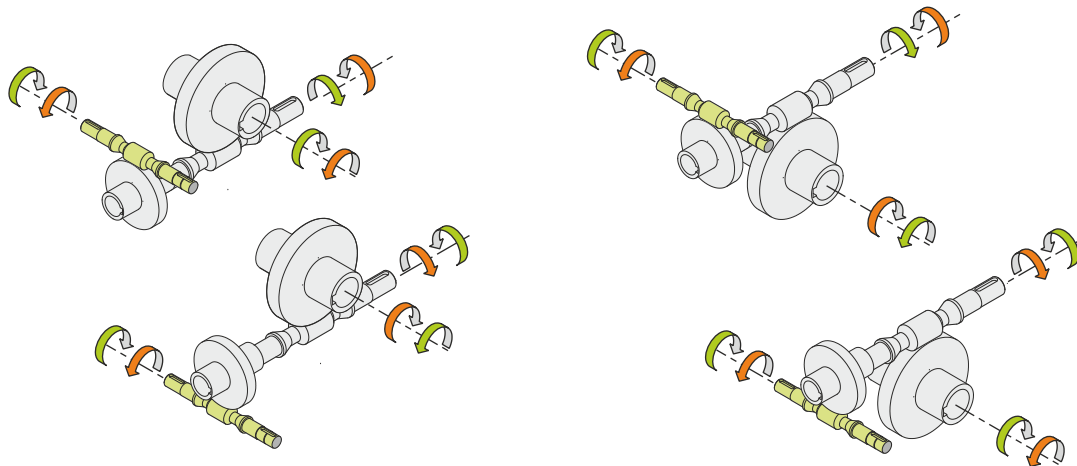


Lubricant type: Long life synthetic oil ISO VG320

**Attachment position**



**Direction of rotation**



**Weight**

Gear unit [kg]	12
Electric motor [kg]	4.3

**Gearing data 2**

	Axial module	3.9
	Number of starts	1
	Lead angle	1
	Pressure angle	20°/12°

**Backdriving**

- Static self-locking
- Slow back-driving in case of vibrations
- Low dynamic back-driving

**M RS/RS 40/70 S (bolted) 11 1568 63 B14 AC 28 MT 0.13 kW 63 A4 B14 X3 B3**