

Input data

System of measurement		Metric
Input type		Gear motor
Input speed	[rpm]	1400
Output speed	[rpm]	2.5
Ratio (i=)		560
Frequency	[Hz]	50
Input options		IEC
Requested input power	[kW]	0.37
Service factor		1
Rated Power P1	[kW]	0.22

Output data

Gear unit **M RS/RS 40/85 S (bolted) 11 560 71 B14 AC 32 MT 0.37 kW 71 B4 B14 X3 B3**

Type		RS/RS - Worm speed reducers
Input type		M
Size		40/85
Ratio (i=)		560
Gearbox ratio		28.00
Pre-stage ratio		20.00
Input flange		B14
Mounting position		B3
Input speed	[rpm]	1400
Output speed	[rpm]	2.5
Rated output torque	[Nm]	621.9
Service Factor		1
Efficiency		0.44

Gear unit configuration

Output shaft		Hollow output shaft
Fixing		Feet
Version		S (bolted)
Attachment position		11

Output radial and axial loads

Ball bearings output radial load	[N]	8300
Taper bearings output radial load	[N]	9400
Ball bearings output axial load	[N]	1660
Taper bearings output axial load	[N]	1880

Accessories

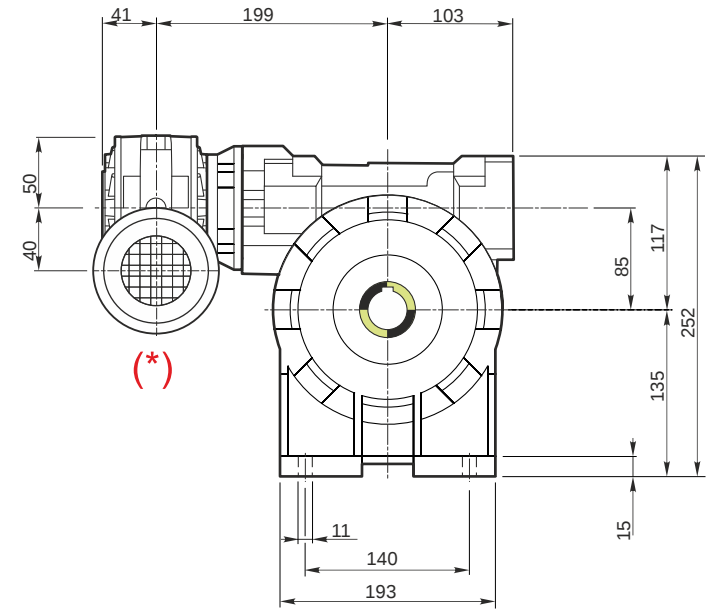
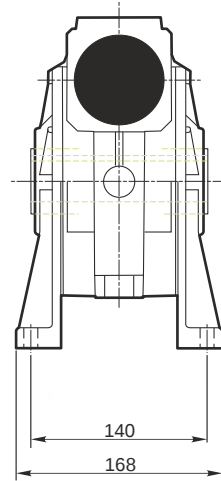
Hollow output shaft		AC 32
---------------------	--	-------

Electric motor

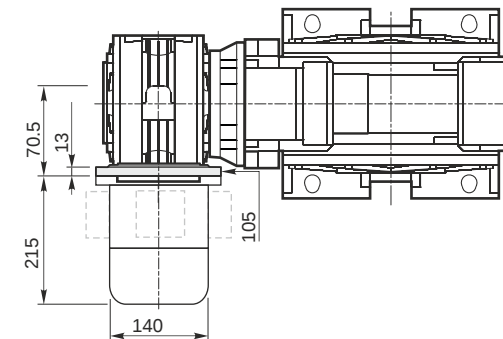
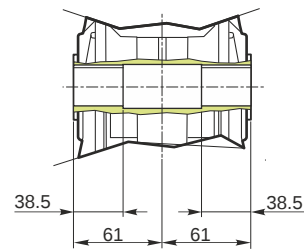
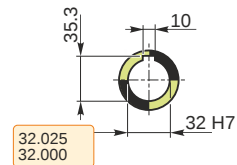
Size		71 B4
Poles		4
Power	[kW]	0.37

Electric motor configuration

Motor flange		B14
Terminal box position		X3

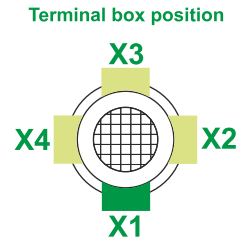
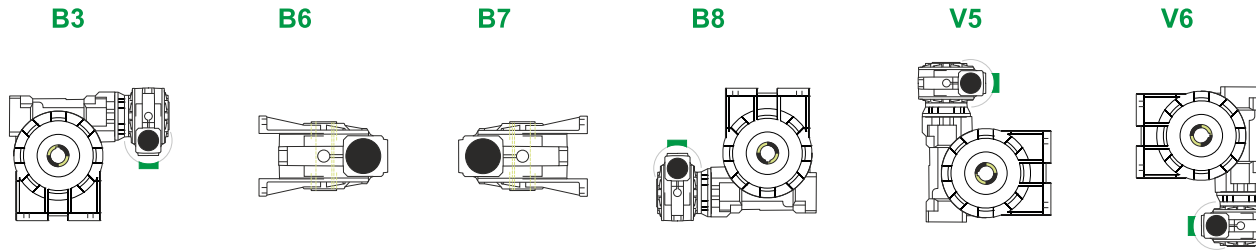


Hollow output shaft



M RS/RS 40/85 S (bolted) 11 560 71 B14 AC 32 MT 0.37 kW 71 B4 B14 X3 B3

Mounting positions

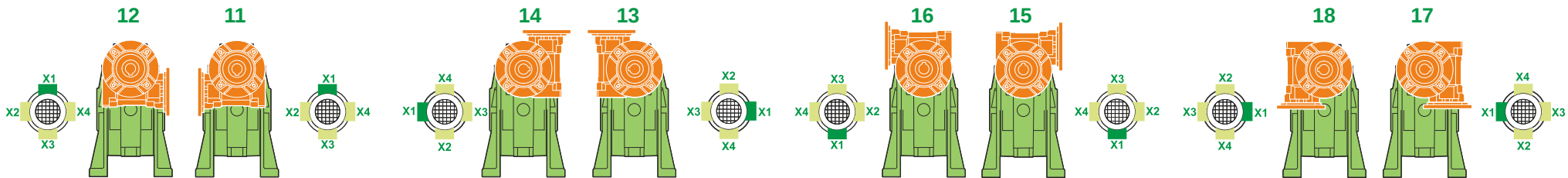


0.08	1
0.6	2

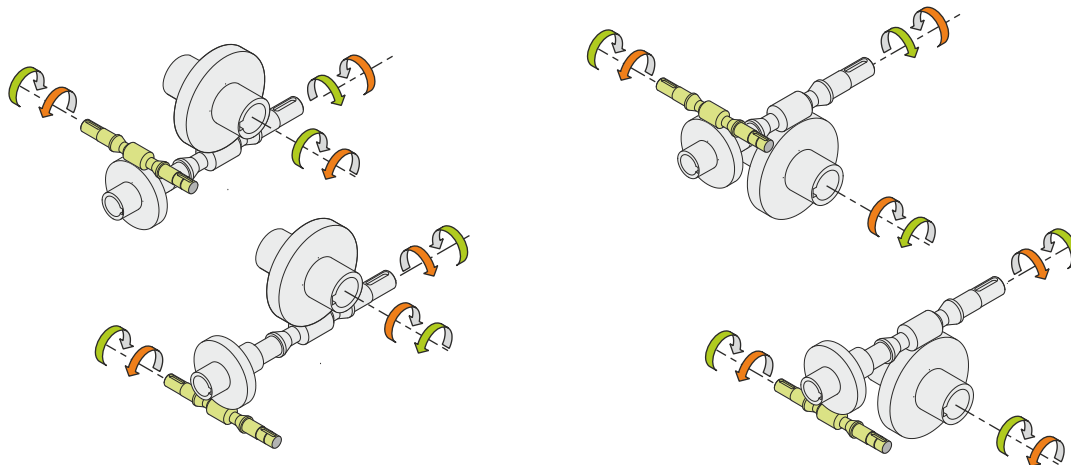


Lubricant type: Long life synthetic oil ISO VG320

Attachment position



Direction of rotation



Weight

Gear unit [kg]	16.5
Electric motor [kg]	6.2

Gearing data 2

2	Axial module	4.7
	Number of starts	1
	Lead angle	60°58'
	Pressure angle	60°58'

Backdriving

- Static self-locking
- Slow back-driving in case of vibrations
- Low dynamic back-driving

M RS/RS 40/85 S (bolted) 11 560 71 B14 AC 32 MT 0.37 kW 71 B4 B14 X3 B3