

Input data

System of measurement		Metric
Input type		Gear motor
Input speed	[rpm]	1400
Output speed	[rpm]	0.25
Ratio (i=)		5600
Frequency	[Hz]	50
Input options		IEC
Requested input power	[kW]	0.09
Service factor		0.8
Rated Power P1	[kW]	0.01

Output data

Gear unit **M RS/RS 40/85 S (bolted) 11 5600 56 B5 AC 32 MT 0.09 kW 56 B4 B5 X3 B3**

Type		RS/RS - Worm speed reducers
Input type		M
Size		40/85
Ratio (i=)		5600
Gearbox ratio		56.00
Pre-stage ratio		100.00
Input flange		B5
Mounting position		B3
Input speed	[rpm]	1400
Output speed	[rpm]	0.25
Rated output torque	[Nm]	687.6
Service Factor		0.8
Efficiency		0.2

Gear unit configuration

Output shaft		Hollow output shaft
Fixing		Feet
Version		S (bolted)
Attachment position		11

Output radial and axial loads

Ball bearings output radial load	[N]	8300
Taper bearings output radial load	[N]	9400
Ball bearings output axial load	[N]	1660
Taper bearings output axial load	[N]	1880

Accessories

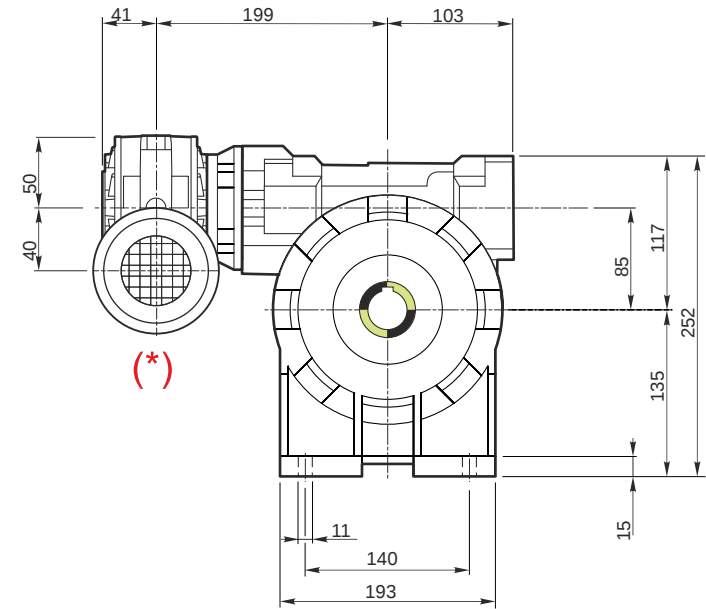
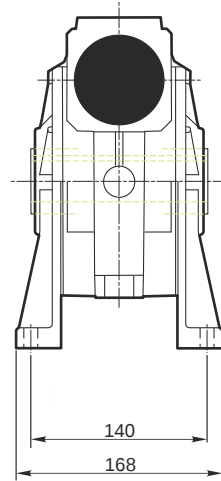
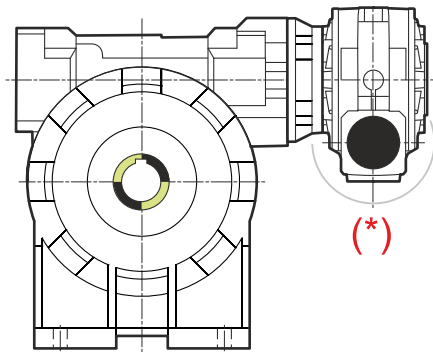
Hollow output shaft		AC 32
---------------------	--	-------

Electric motor

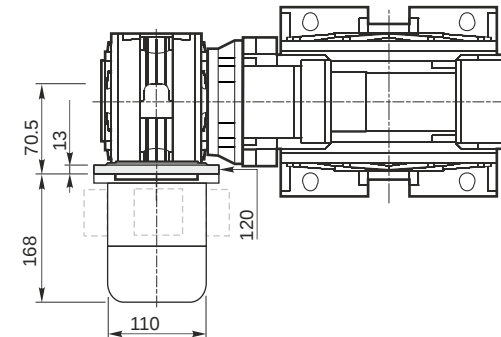
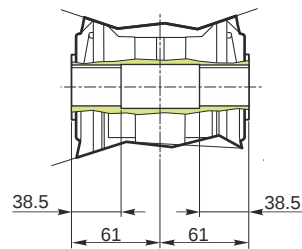
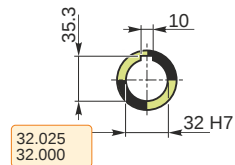
Size		56 B4
Poles		4
Power	[kW]	0.09

Electric motor configuration

Motor flange		B5
Terminal box position		X3

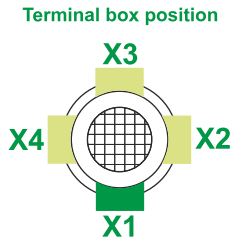
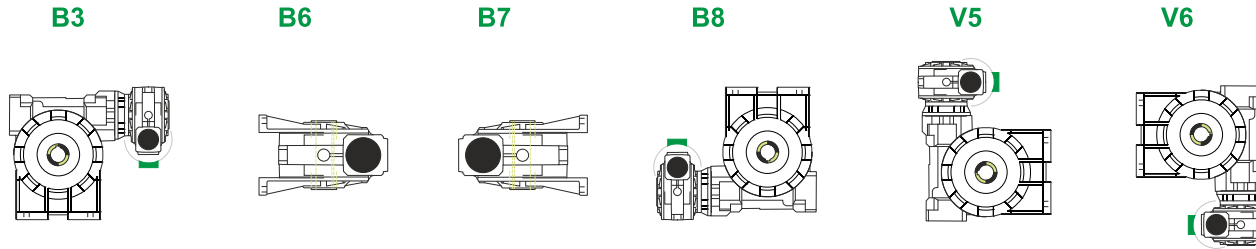


Hollow output shaft

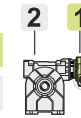


M RS/RS 40/85 S (bolted) 11 5600 56 B5 AC 32 MT 0.09 kW 56 B4 B5 X3 B3

Mounting positions



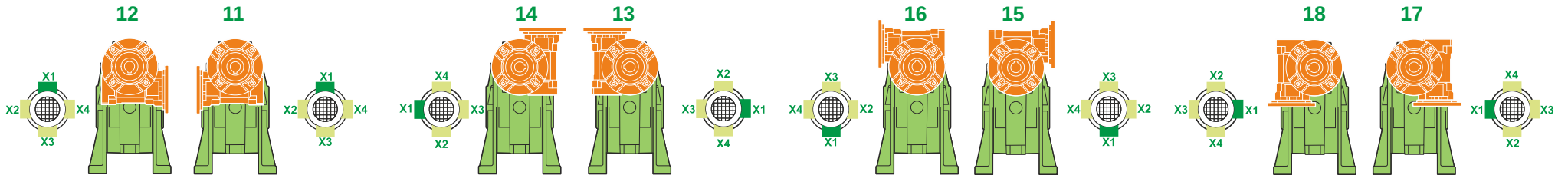
0.08	1
0.6	2



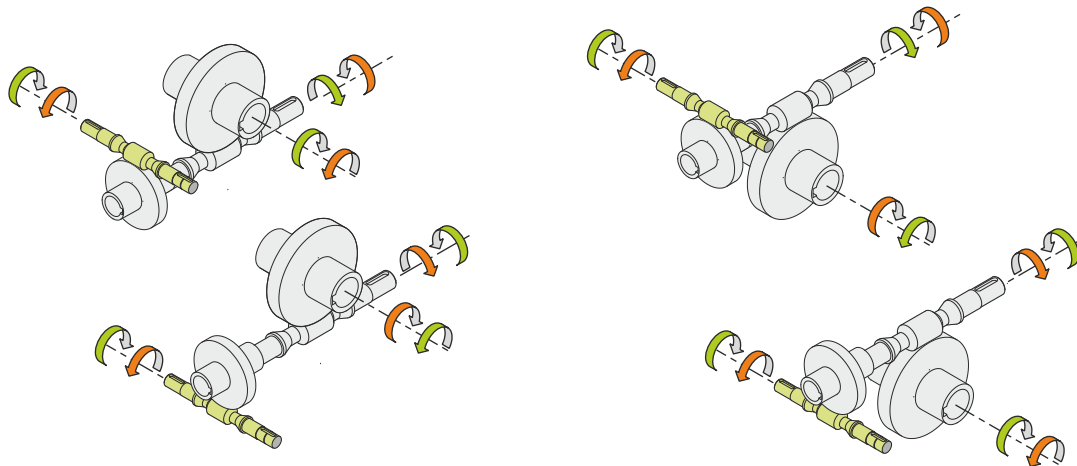
Oil quantity [litres]

Lubricant type: Long life synthetic oil ISO VG320

Attachment position



Direction of rotation



Weight

Gear unit [kg]	16.5
Electric motor [kg]	2.6

Gearing data 2



Axial module	2.5
Number of starts	1
Lead angle	1
Pressure angle	40°45'

Backdriving

- Static self-locking
- No back-driving
- No dynamic back-driving

M RS/RS 40/85 S (bolted) 11 5600 56 B5 AC 32 MT 0.09 kW 56 B4 B5 X3 B3