

Input data

System of measurement		Metric
Input type		Gear motor
Input speed	[rpm]	1400
Output speed	[rpm]	0.14
Ratio (i=)		10000
Frequency	[Hz]	50
Input options		IEC
Requested input power	[kW]	0.06
Service factor		0.4

Warning! The torque generated by the selected motor is above the gearbox rated output torque; please refer to the gearbox rated output torque.

Output data

Gear unit **M RS/RS 40/85 S (bolted) 11 10000 56 B5 AC 32 MT 0.06 kW 56 A4 B5 X3 B3**

Type		RS/RS - Worm speed reducers
Input type		M
Size		40/85
Ratio (i=)		10000
Gearbox ratio		100.00
Pre-stage ratio		100.00
Input flange		B5
Mounting position		B3
Input speed	[rpm]	1400
Output speed	[rpm]	0.14
Rated output torque	[Nm]	264
Service Factor		0.4
Efficiency		0.15

Gear unit configuration

Output shaft		Hollow output shaft
Fixing		Feet
Version		S (bolted)
Attachment position		11

Output radial and axial loads

Ball bearings output radial load	[N]	8300
Taper bearings output radial load	[N]	9400
Ball bearings output axial load	[N]	1660
Taper bearings output axial load	[N]	1880

Accessories

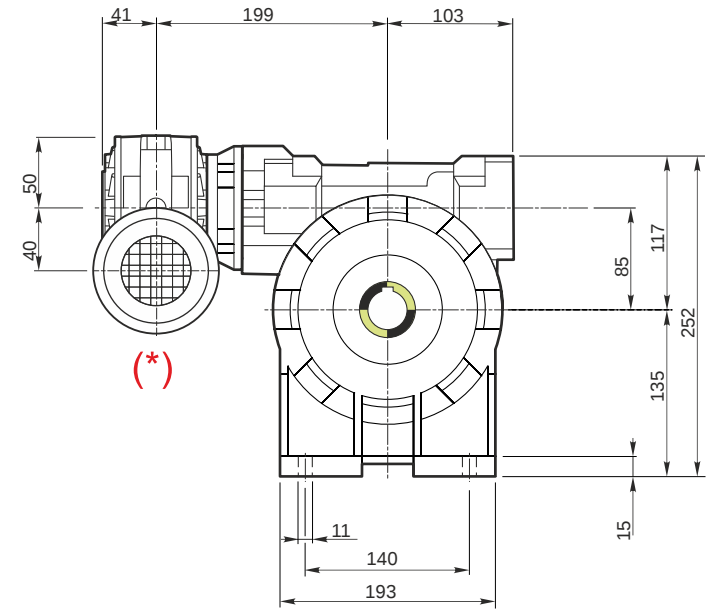
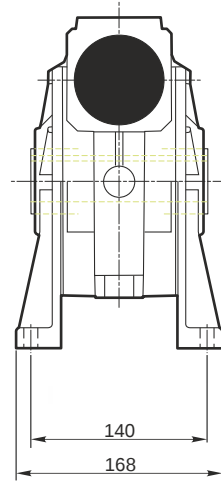
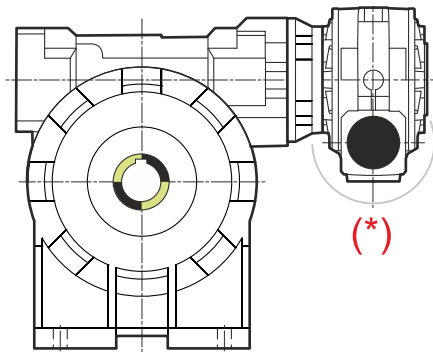
Hollow output shaft		AC 32
---------------------	--	-------

Electric motor

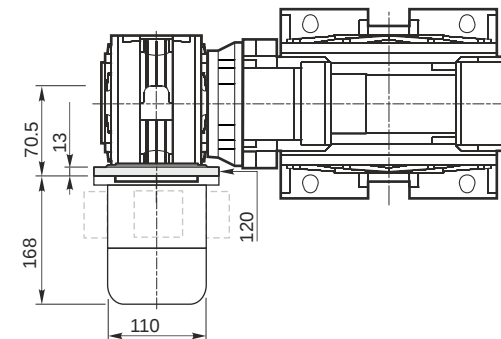
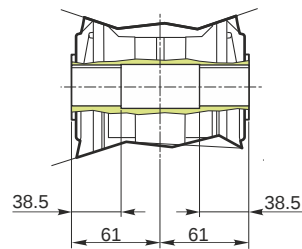
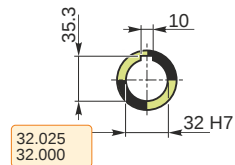
Size		56 A4
Poles		4
Power	[kW]	0.06

Electric motor configuration

Motor flange		B5
Terminal box position		X3

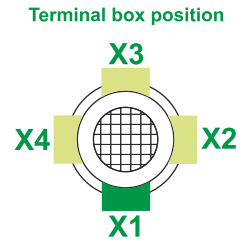
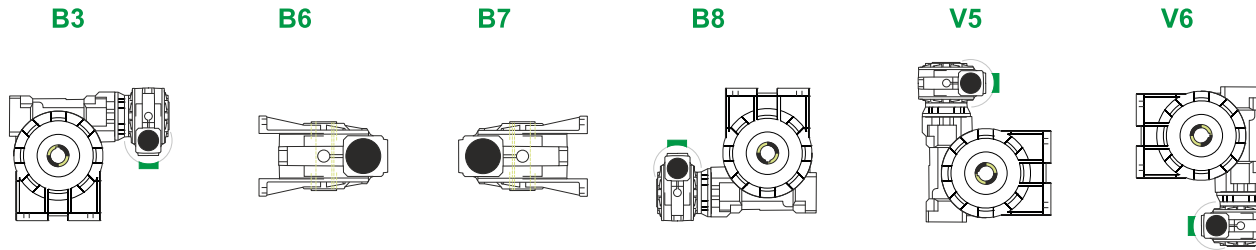


Hollow output shaft



M RS/RS 40/85 S (bolted) 11 10000 56 B5 AC 32 MT 0.06 kW 56 A4 B5 X3 B3

Mounting positions

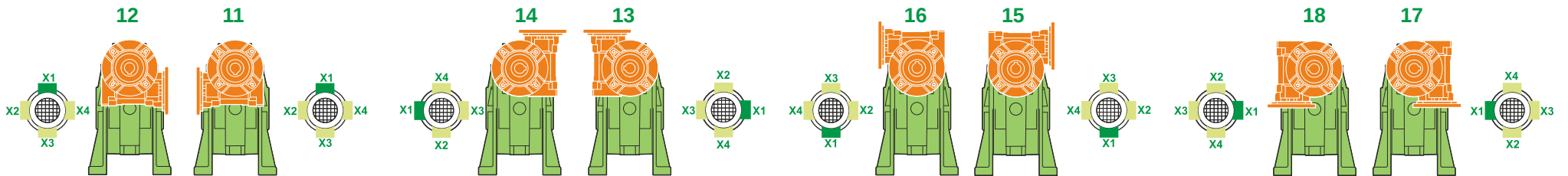


0.08	1
0.6	2

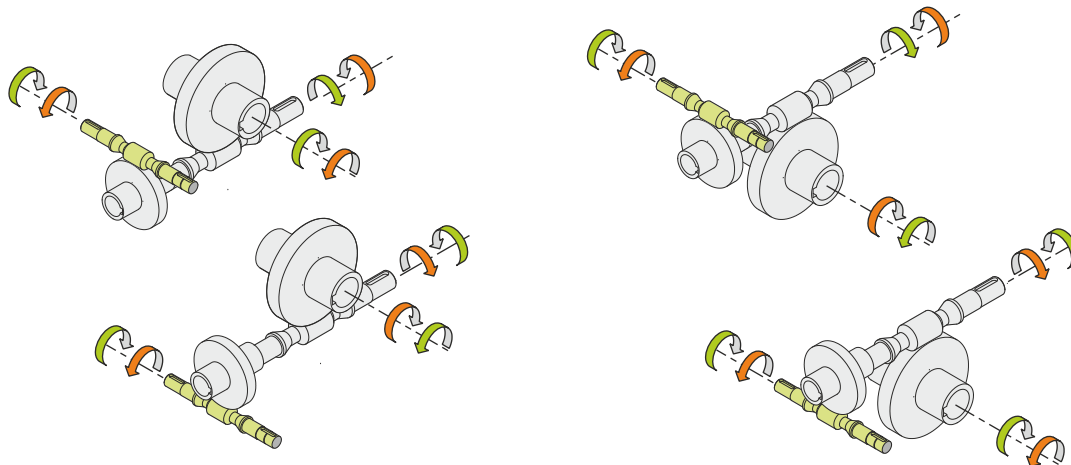


Lubricant type: Long life synthetic oil ISO VG320

Attachment position



Direction of rotation



Weight

Gear unit [kg]	16.5
Electric motor [kg]	2.6

Gearing data 2

	Axial module	1.4
	Number of starts	1
	Lead angle	1
	Pressure angle	20°/40°

Backdriving

- Static self-locking
- No back-driving
- No dynamic back-driving

M RS/RS 40/85 S (bolted) 11 10000 56 B5 AC 32 MT 0.06 kW 56 A4 B5 X3 B3