

Input data

System of measurement		Metric
Input type		Gear motor
Input speed	[rpm]	1400
Output speed	[rpm]	0.63
Ratio (i=)		2240
Frequency	[Hz]	50
Input options		IEC
Requested input power	[kW]	0.37
Service factor		0.8
Rated Power P1	[kW]	0.29

Output data

Gear unit **M RS/RS 50/110 S (bolted) 11 2240 71 B14 AC 42 MT 0.37 kW 71 B4 B14 X3 B3**

Type		RS/RS - Worm speed reducers
Input type		M
Size		50/110
Ratio (i=)		2240
Gearbox ratio		40.00
Pre-stage ratio		56.00
Input flange		B14
Mounting position		B3
Input speed	[rpm]	1400
Output speed	[rpm]	0.63
Rated output torque	[Nm]	1696.08
Service Factor		0.8
Efficiency		0.3

Gear unit configuration

Output shaft		Hollow output shaft
Fixing		Feet
Version		S (bolted)
Attachment position		11

Output radial and axial loads

Ball bearings output radial load	[N]	9800
Taper bearings output radial load	[N]	11100
Ball bearings output axial load	[N]	1960
Taper bearings output axial load	[N]	2220

Accessories

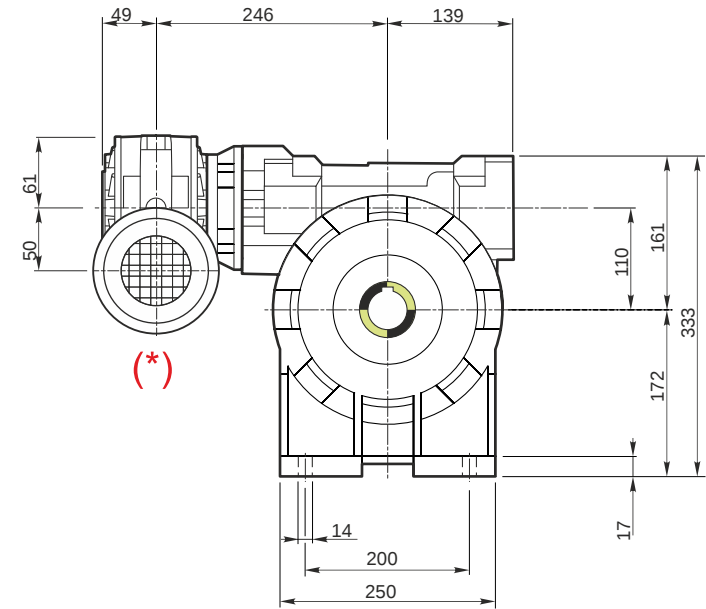
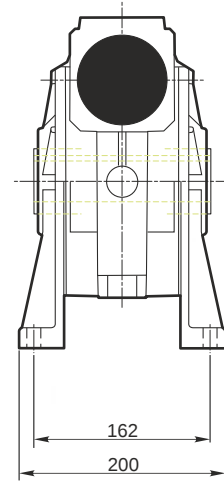
Hollow output shaft		AC 42
---------------------	--	-------

Electric motor

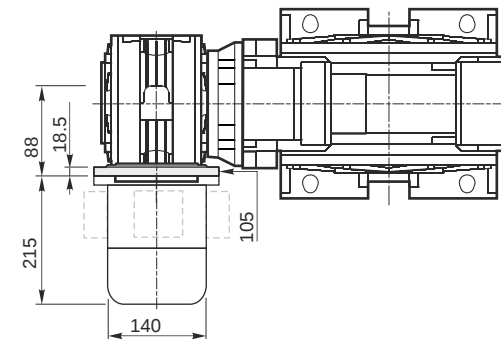
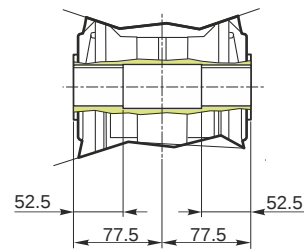
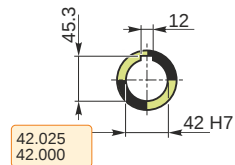
Size		71 B4
Poles		4
Power	[kW]	0.37

Electric motor configuration

Motor flange		B14
Terminal box position		X3

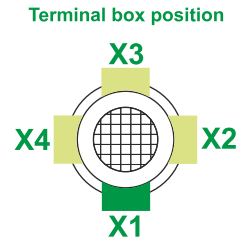
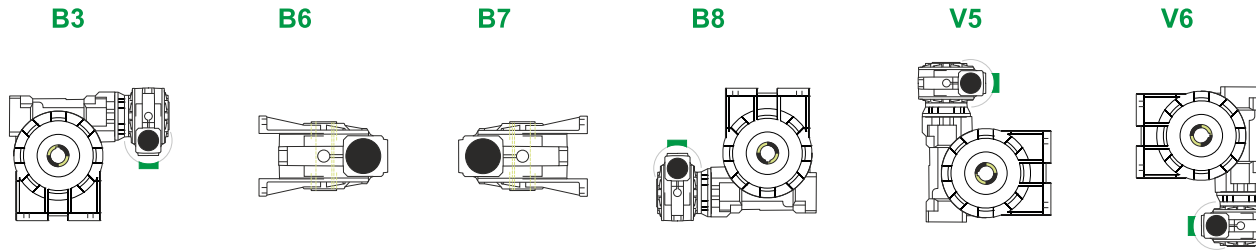


Hollow output shaft



M RS/RS 50/110 S (bolted) 11 2240 71 B14 AC 42 MT 0.37 kW 71 B4 B14 X3 B3

Mounting positions

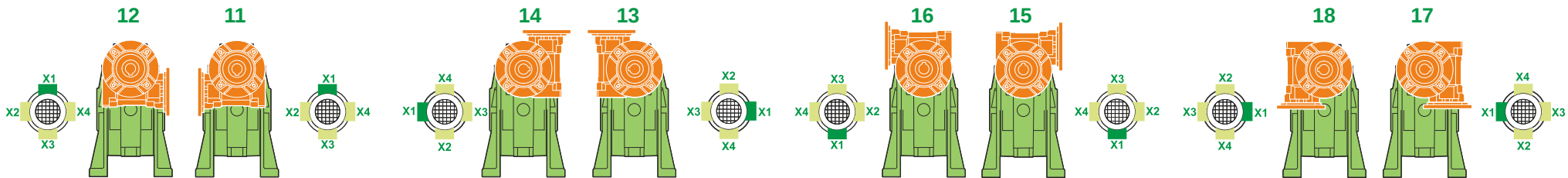


0.13	1
1.5	2

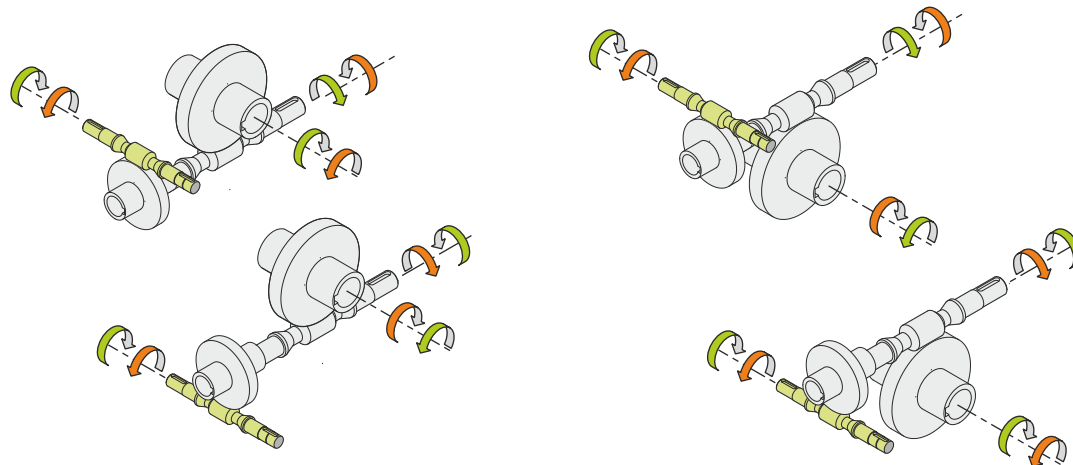


Lubricant type: Long life synthetic oil ISO VG320

Attachment position



Direction of rotation



Weight

Gear unit [kg]	45
Electric motor [kg]	6.2

Gearing data 2

2	Axial module	4.4
	Number of starts	1
	Lead angle	1
	Pressure angle	50°42'

Backdriving

- Static self-locking
- No back-driving
- No dynamic back-driving

M RS/RS 50/110 S (bolted) 11 2240 71 B14 AC 42 MT 0.37 kW 71 B4 B14 X3 B3