

### Input data

System of measurement		Metric	
Input type		Gear motor	
Input speed	[rpm]	1400	
Output speed	[rpm]	0.18	
Ratio (i=)		8000	
Frequency	[Hz]	50	
Input options		IEC	
Requested input power	[kW]	0.13	
Service factor		0.6	
Rated Power P1	[kW]	0.08	<b>Warning! The torque generated by the selected motor is above the gearbox rated output torque; please refer to the gearbox rated output torque.</b>

### Output data

**Gear unit** **M RS/RS 50/110 S (bolted) 11 8000 63 B5 AC 42 MT 0.13 kW 63 A4 B5 X3 B3**

Type		RS/RS - Worm speed reducers
Input type		M
Size		50/110
Ratio (i=)		8000
Gearbox ratio		80.00
Pre-stage ratio		100.00
Input flange		B5
Mounting position		B3
Input speed	[rpm]	1400
Output speed	[rpm]	0.18
Rated output torque	[Nm]	810
Service Factor		0.6
Efficiency		0.18

#### Gear unit configuration

Output shaft		Hollow output shaft
Fixing		Feet
Version		S (bolted)
Attachment position		11

#### Output radial and axial loads

Ball bearings output radial load	[N]	9800
Taper bearings output radial load	[N]	11100
Ball bearings output axial load	[N]	1960
Taper bearings output axial load	[N]	2220

#### Accessories

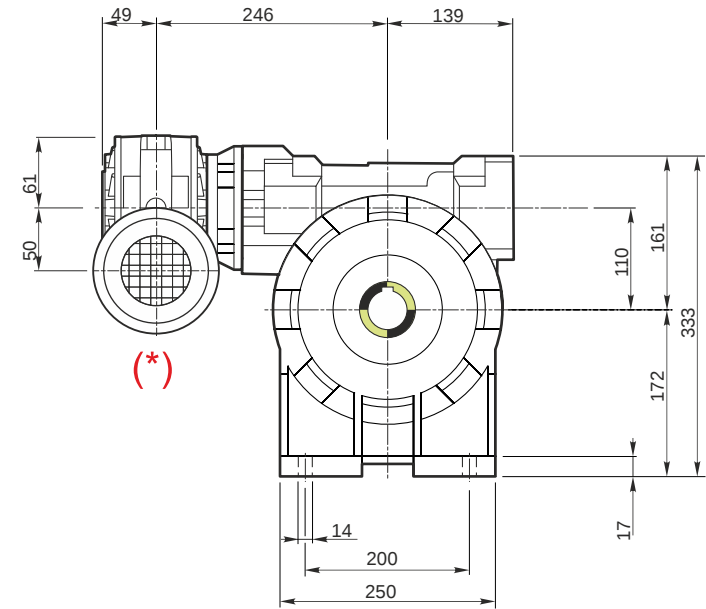
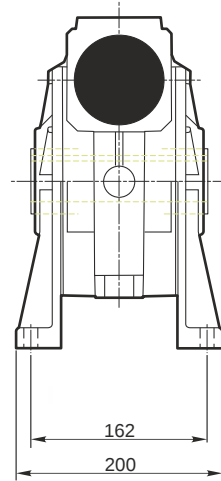
Hollow output shaft		AC 42
---------------------	--	-------

#### Electric motor

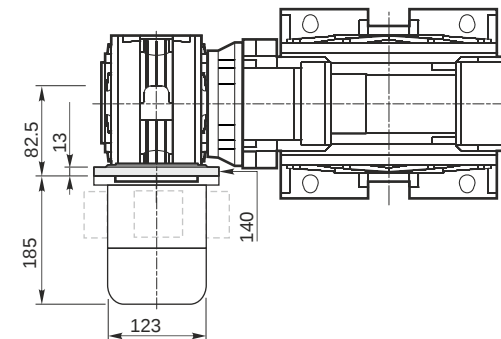
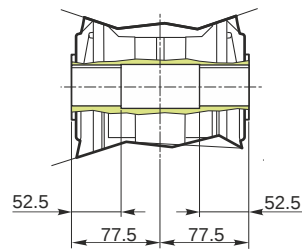
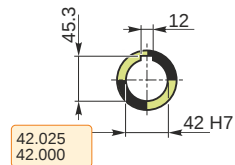
Size		63 A4
Poles		4
Power	[kW]	0.13

#### Electric motor configuration

Motor flange		B5
Terminal box position		X3

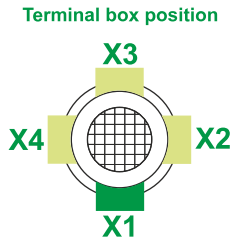
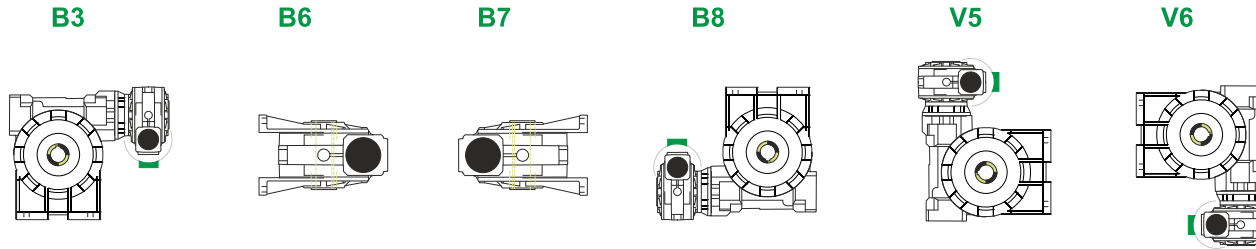


**Hollow output shaft**



**M RS/RS 50/110 S (bolted) 11 8000 63 B5 AC 42 MT 0.13 kW 63 A4 B5 X3 B3**

**Mounting positions**

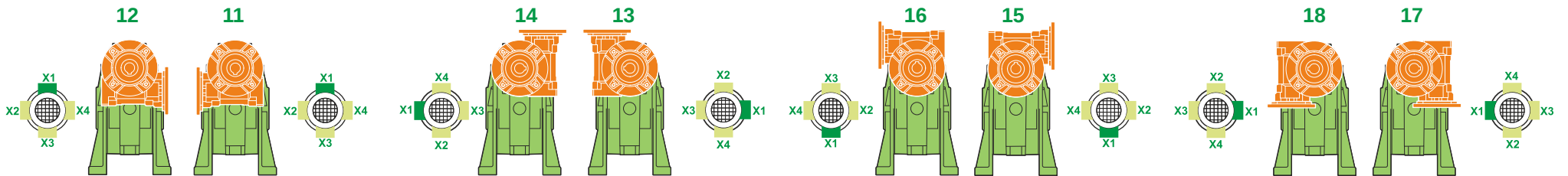


0.13	1
1.5	2

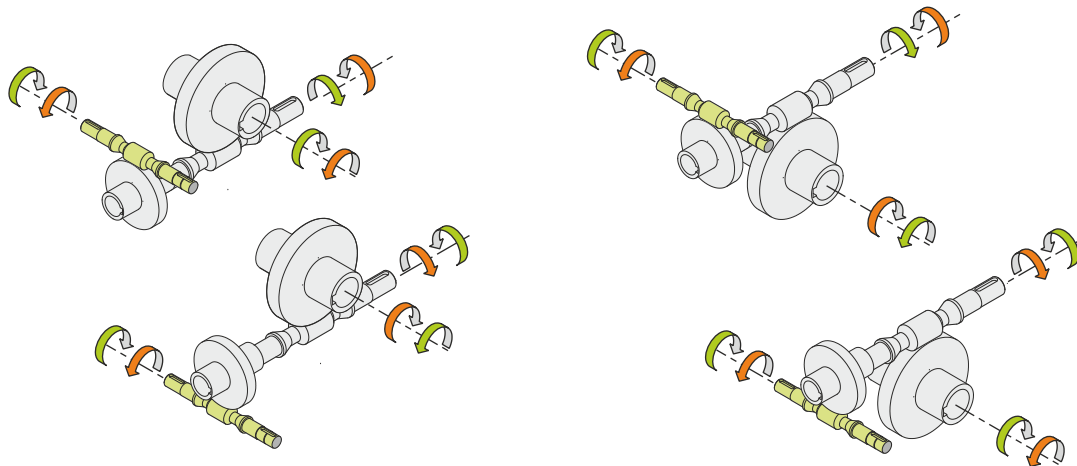


Lubricant type: Long life synthetic oil ISO VG320

**Attachment position**



**Direction of rotation**



**Weight**

Gear unit [kg]	45
Electric motor [kg]	4.3

**Gearing data 2**

2	Axial module	2.3
	Number of starts	1
	Lead angle	30°39'
	Pressure angle	30°39'

**Backdriving**

- Static self-locking
- No back-driving
- No dynamic back-driving

**M RS/RS 50/110 S (bolted) 11 8000 63 B5 AC 42 MT 0.13 kW 63 A4 B5 X3 B3**