

Input data

System of measurement		Metric
Input type		Gear motor
Input speed	[rpm]	1400
Output speed	[rpm]	2.5
Ratio (i=)		560
Frequency	[Hz]	50
Input options		IEC
Requested input power	[kW]	1.1
Service factor		1
Rated Power P1	[kW]	1.1

Output data

Gear unit **M RS/RS 60/130 S (integral) 11 560 90 B14 AC 48 MT 1.1 kW 90 S4 B14 X3 B3**

Type		RS/RS - Worm speed reducers
Input type		M
Size		60/130
Ratio (i=)		560
Gearbox ratio		28.00
Pre-stage ratio		20.00
Input flange		B14
Mounting position		B3
Input speed	[rpm]	1400
Output speed	[rpm]	2.5
Rated output torque	[Nm]	1932.92
Service Factor		1
Efficiency		0.46

Gear unit configuration

Output shaft		Hollow output shaft
Fixing		Feet
Version		S (integral)
Attachment position		11

Output radial and axial loads

Ball bearings output radial load	[N]	11500
Taper bearings output radial load	[N]	14500
Ball bearings output axial load	[N]	2300
Taper bearings output axial load	[N]	2900

Accessories

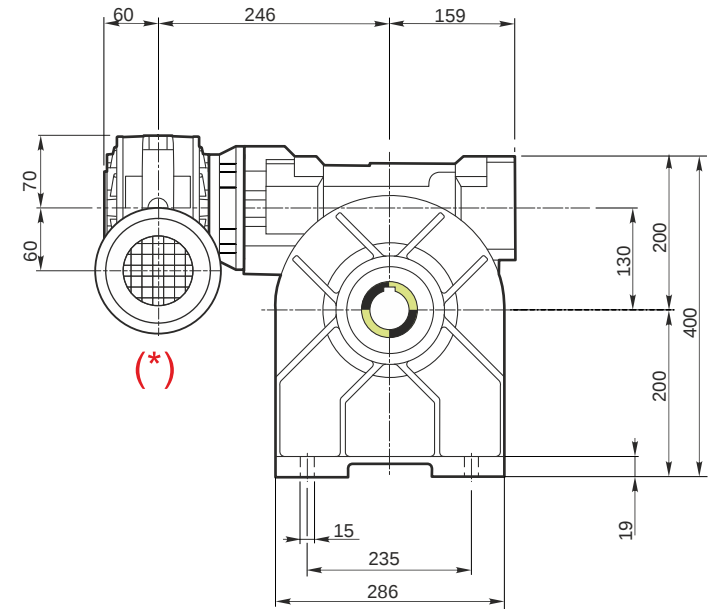
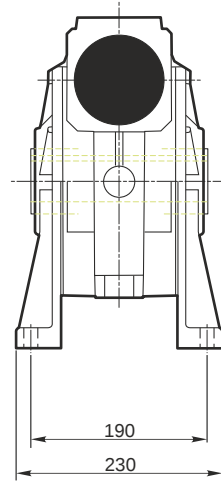
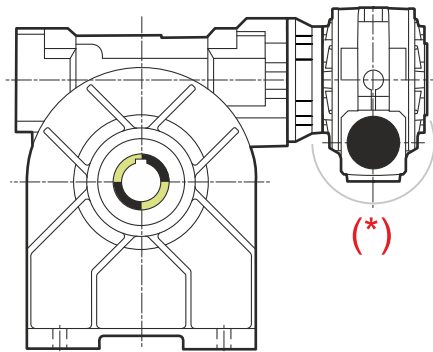
Hollow output shaft		AC 48
---------------------	--	-------

Electric motor

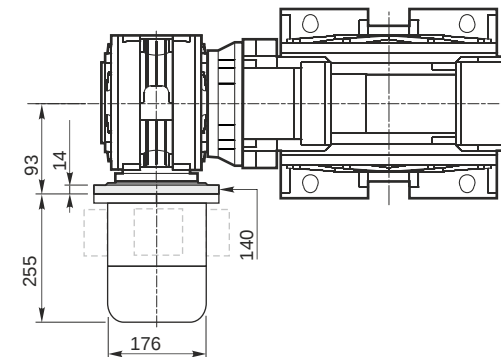
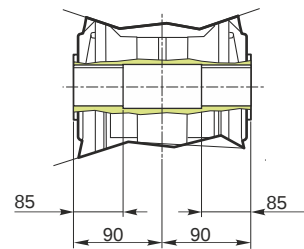
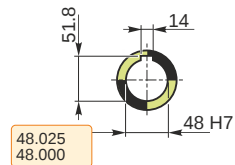
Size		90 S4
Poles		4
Power	[kW]	1.1

Electric motor configuration

Motor flange		B14
Terminal box position		X3

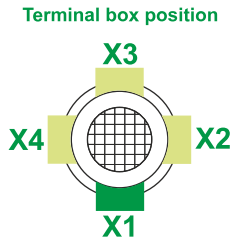
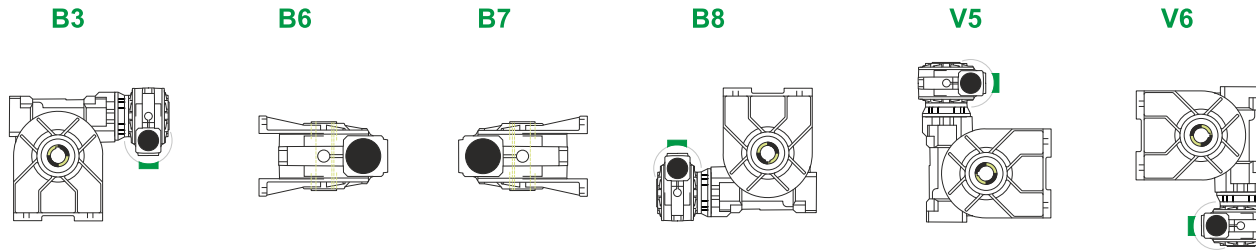


Hollow output shaft



M RS/RS 60/130 S (integral) 11 560 90 B14 AC 48 MT 1.1 kW 90 S4 B14 X3 B3

Mounting positions

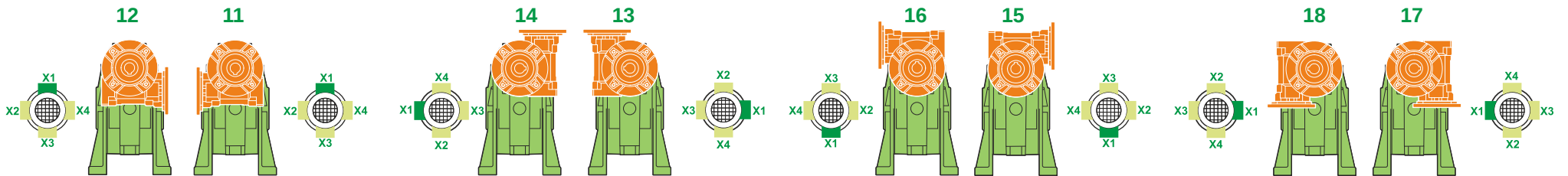


0.23	1
2.75	2

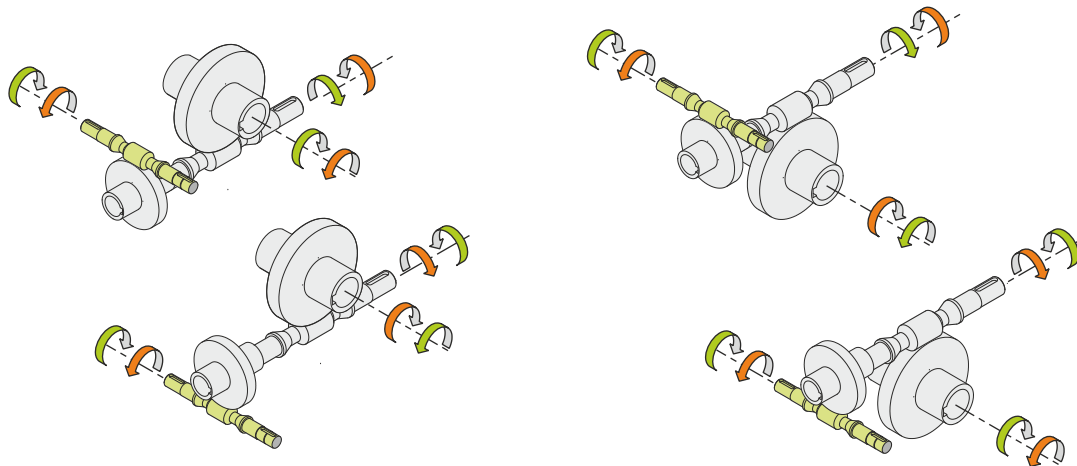


Lubricant type: Long life synthetic oil ISO VG320

Attachment position



Direction of rotation



Weight

Gear unit [kg]	57
Electric motor [kg]	12

Gearing data 2

	Axial module	7.25
	Number of starts	1
	Lead angle	1
	Pressure angle	20° 14'

Backdriving

- Static self-locking
- Slow back-driving in case of vibrations
- Low dynamic back-driving

M RS/RS 60/130 S (integral) 11 560 90 B14 AC 48 MT 1.1 kW 90 S4 B14 X3 B3