

Input data

System of measurement		Metric
Input type		Gear motor
Input speed	[rpm]	1400
Output speed	[rpm]	0.5
Ratio (i=)		2800
Frequency	[Hz]	50
Input options		IEC
Requested input power	[kW]	0.25
Service factor		1
Rated Power P1	[kW]	0.25

Output data

Gear unit **M RS/RS 60/130 S (integral) 11 2800 71 B14 AC 48 MT 0.25 kW 71 A4 B14 X3 B3**

Type		RS/RS - Worm speed reducers
Input type		M
Size		60/130
Ratio (i=)		2800
Gearbox ratio		40.00
Pre-stage ratio		70.00
Input flange		B14
Mounting position		B3
Input speed	[rpm]	1400
Output speed	[rpm]	0.5
Rated output torque	[Nm]	1432.5
Service Factor		1
Efficiency		0.3

Gear unit configuration

Output shaft		Hollow output shaft
Fixing		Feet
Version		S (integral)
Attachment position		11

Output radial and axial loads

Ball bearings output radial load	[N]	11500
Taper bearings output radial load	[N]	14500
Ball bearings output axial load	[N]	2300
Taper bearings output axial load	[N]	2900

Accessories

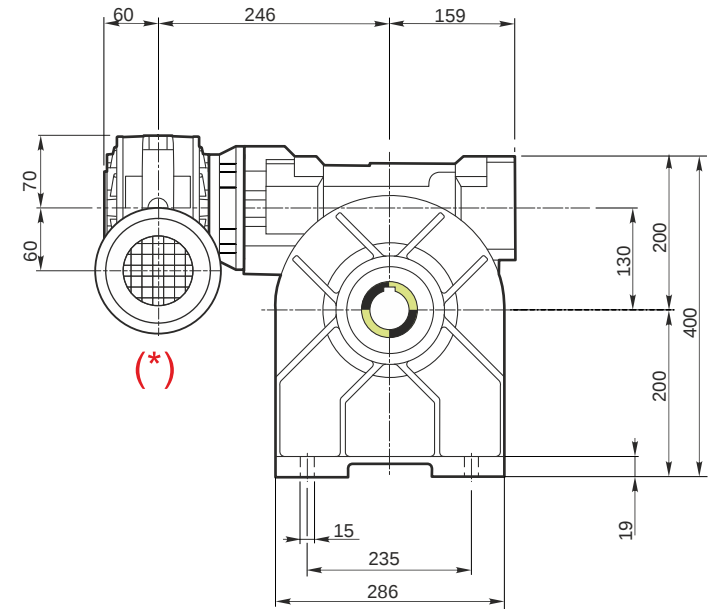
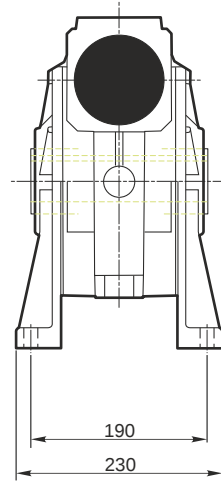
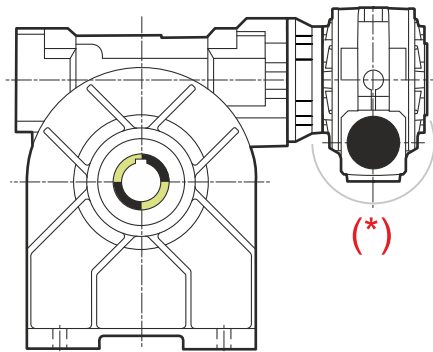
Hollow output shaft		AC 48
---------------------	--	-------

Electric motor

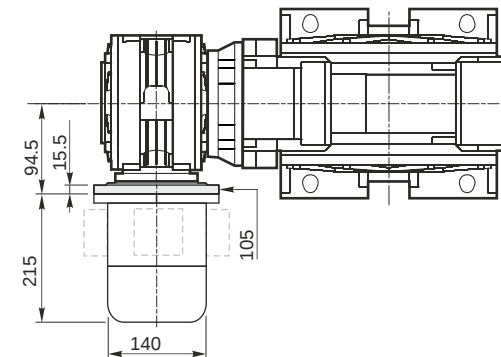
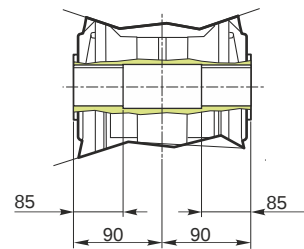
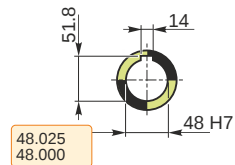
Size		71 A4
Poles		4
Power	[kW]	0.25

Electric motor configuration

Motor flange		B14
Terminal box position		X3

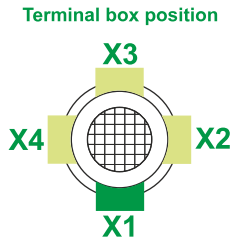
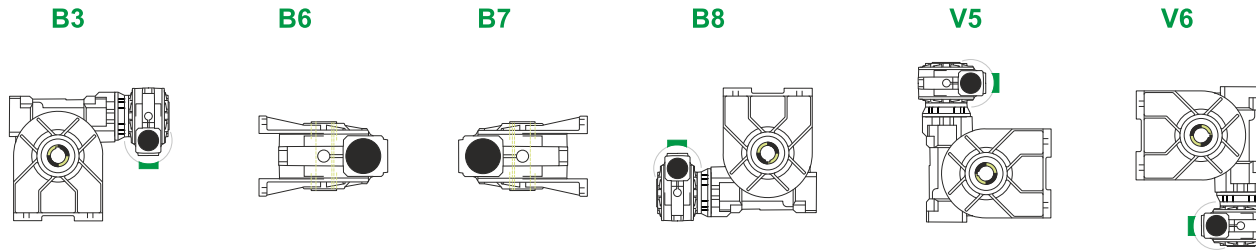


Hollow output shaft

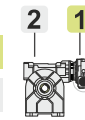


M RS/RS 60/130 S (integral) 11 2800 71 B14 AC 48 MT 0.25 kW 71 A4 B14 X3 B3

Mounting positions



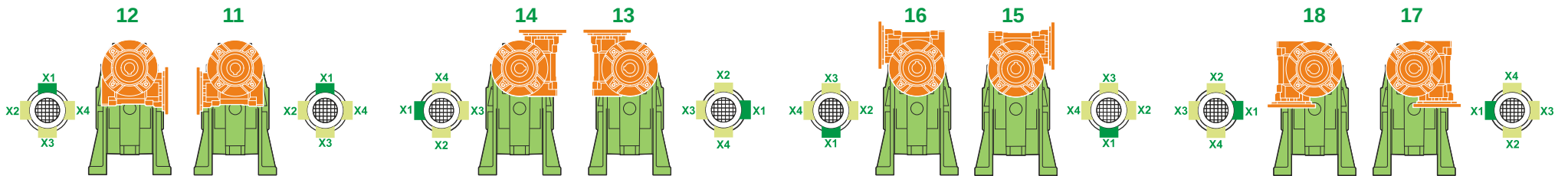
0.23	1
2.75	2



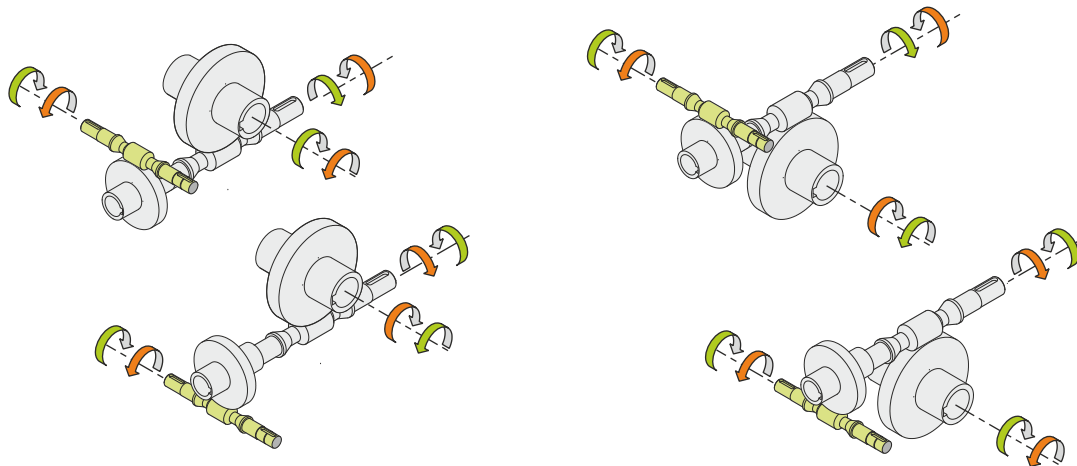
Oil quantity [litres]

Lubricant type: Long life synthetic oil ISO VG320

Attachment position



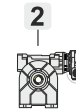
Direction of rotation



Weight

Gear unit [kg]	57
Electric motor [kg]	6.2

Gearing data 2



Axial module	5.3
Number of starts	1
Lead angle	20° 18'
Pressure angle	20° 18'

Backdriving

- Static self-locking
- No back-driving
- No dynamic back-driving

M RS/RS 60/130 S (integral) 11 2800 71 B14 AC 48 MT 0.25 kW 71 A4 B14 X3 B3