

Input data

System of measurement		Metric
Input type		Gear motor
Input speed	[rpm]	1400
Output speed	[rpm]	0.14
Ratio (i=)		10000
Frequency	[Hz]	50
Input options		IEC
Requested input power	[kW]	0.25
Service factor		0.4
Rated Power P1	[kW]	0.09

Warning! The torque generated by the selected motor is above the gearbox rated output torque; please refer to the gearbox rated output torque.

Output data

Gear unit **M RS/RS 60/130 S (integral) 11 10000 71 B14 AC 48 MT 0.25 kW 71 A4 B14 X3 B3**

Type		RS/RS - Worm speed reducers
Input type		M
Size		60/130
Ratio (i=)		10000
Gearbox ratio		100.00
Pre-stage ratio		100.00
Input flange		B14
Mounting position		B3
Input speed	[rpm]	1400
Output speed	[rpm]	0.14
Rated output torque	[Nm]	1225
Service Factor		0.4
Efficiency		0.2

Gear unit configuration

Output shaft		Hollow output shaft
Fixing		Feet
Version		S (integral)
Attachment position		11

Output radial and axial loads

Ball bearings output radial load	[N]	11500
Taper bearings output radial load	[N]	14500
Ball bearings output axial load	[N]	2300
Taper bearings output axial load	[N]	2900

Accessories

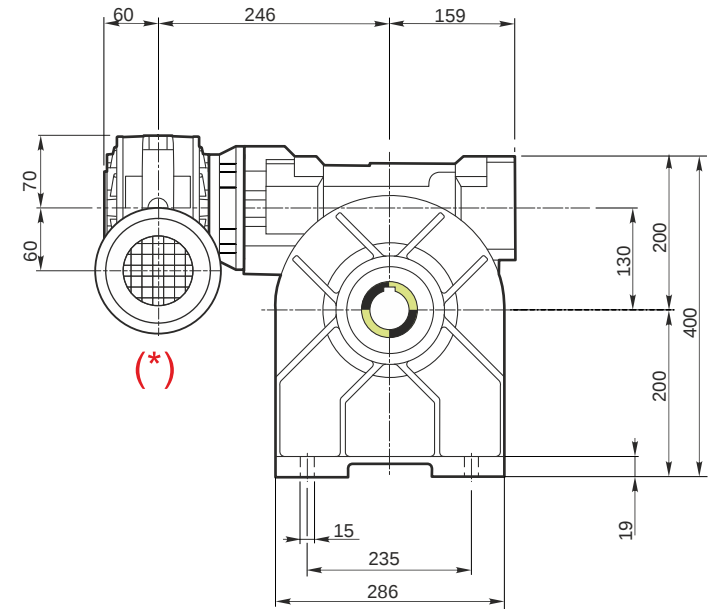
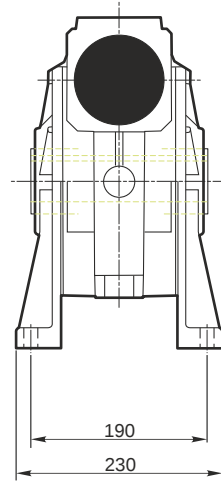
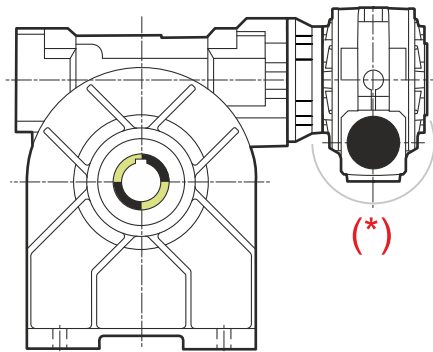
Hollow output shaft		AC 48
---------------------	--	-------

Electric motor

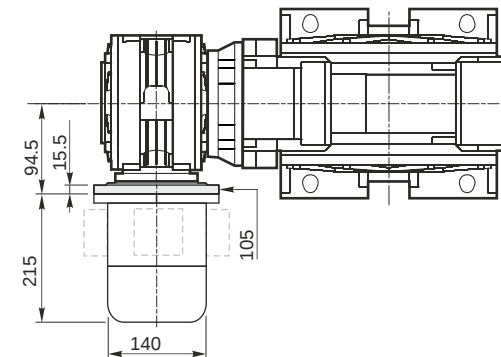
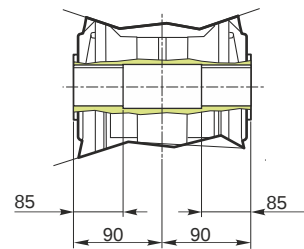
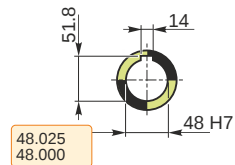
Size		71 A4
Poles		4
Power	[kW]	0.25

Electric motor configuration

Motor flange		B14
Terminal box position		X3

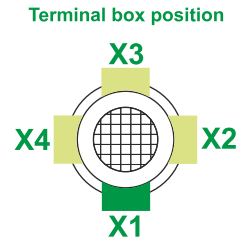
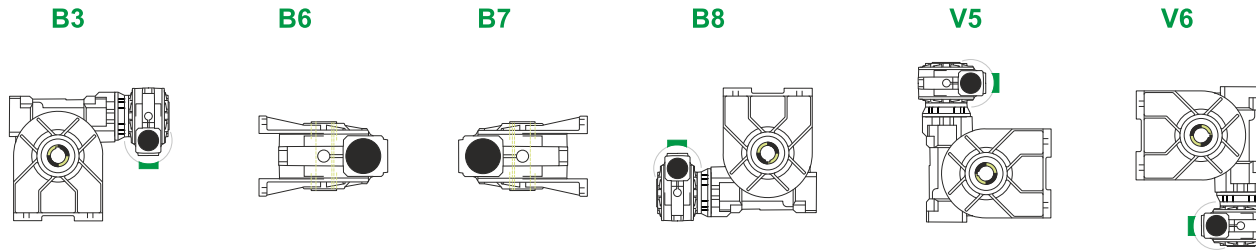


Hollow output shaft



M RS/RS 60/130 S (integral) 11 10000 71 B14 AC 48 MT 0.25 kW 71 A4 B14 X3 B3

Mounting positions

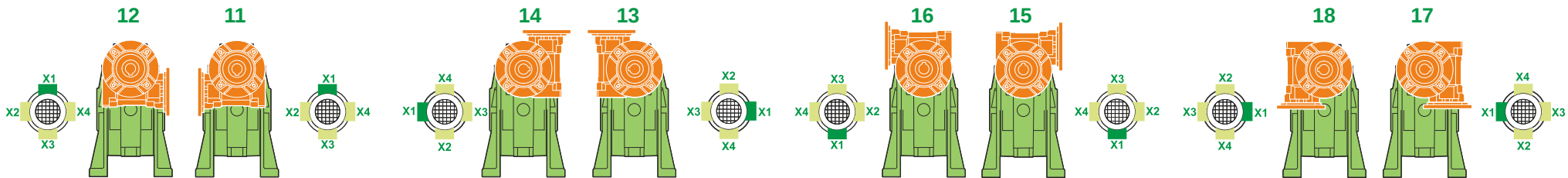


0.23	1
2.75	2

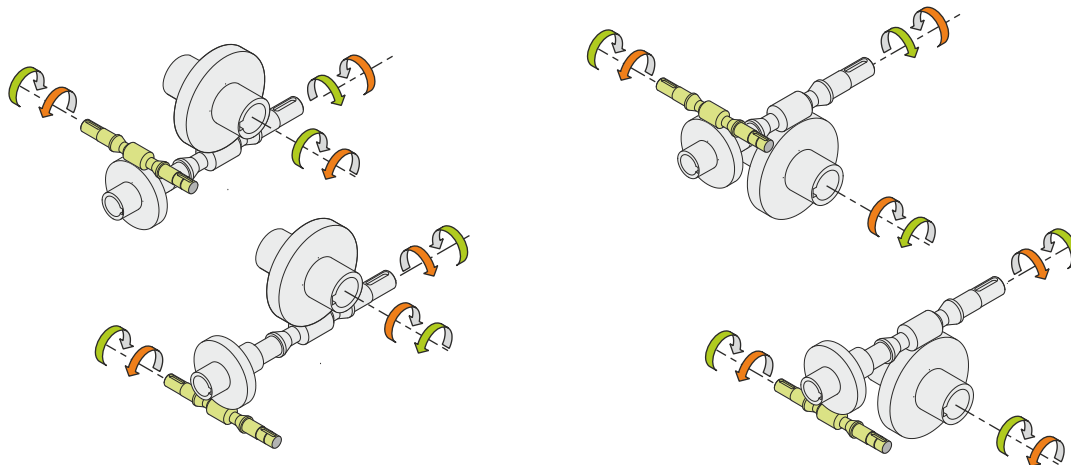


Lubricant type: Long life synthetic oil ISO VG320

Attachment position



Direction of rotation



Weight

Gear unit [kg]	57
Electric motor [kg]	6.2

Gearing data 2

2	Axial module	2.25
2	Number of starts	1
2	Lead angle	30°/40°
2	Pressure angle	30°/40°

Backdriving

- Static self-locking
- No back-driving
- No dynamic back-driving

M RS/RS 60/130 S (integral) 11 10000 71 B14 AC 48 MT 0.25 kW 71 A4 B14 X3 B3