

Input data

System of measurement		Metric
Input type		Gear motor
Input speed	[rpm]	1400
Output speed	[rpm]	0.89
Ratio (i=)		1568
Frequency	[Hz]	50
Input options		IEC
Requested input power	[kW]	0.75
Service factor		0.9
Rated Power P1	[kW]	0.68

Output data

Gear unit **M RS/RS 70/150 S (integral) 11 1568 80 B14 AC 55 MT 0.75 kW 80 B4 B14 X3 B3**

Type		RS/RS - Worm speed reducers
Input type		M
Size		70/150
Ratio (i=)		1568
Gearbox ratio		28.00
Pre-stage ratio		56.00
Input flange		B14
Mounting position		B3
Input speed	[rpm]	1400
Output speed	[rpm]	0.89
Rated output torque	[Nm]	3128.58
Service Factor		0.9
Efficiency		0.39

Gear unit configuration

Output shaft		Hollow output shaft
Fixing		Feet
Version		S (integral)
Attachment position		11

Output radial and axial loads

Ball bearings output radial load	[N]	15000
Taper bearings output radial load	[N]	19500
Ball bearings output axial load	[N]	3000
Taper bearings output axial load	[N]	3900

Accessories

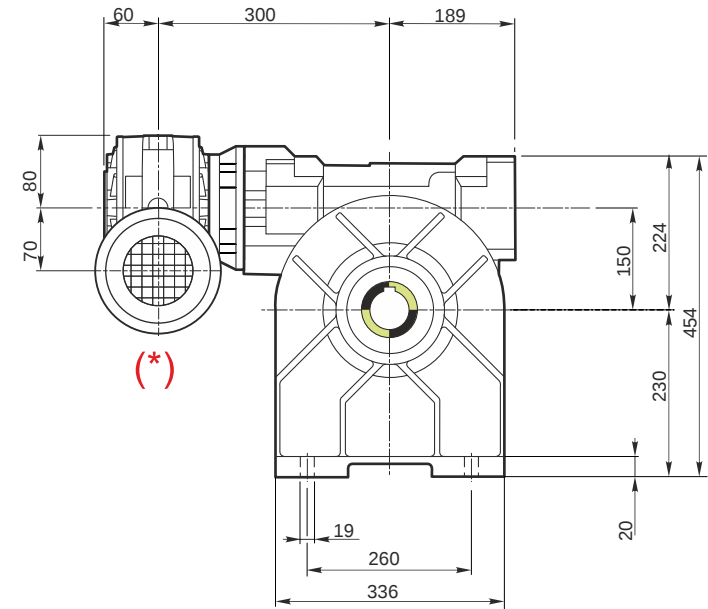
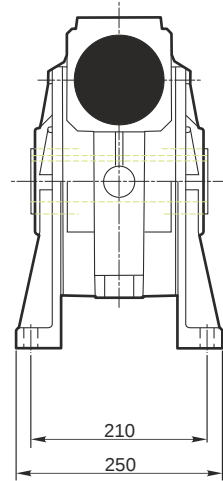
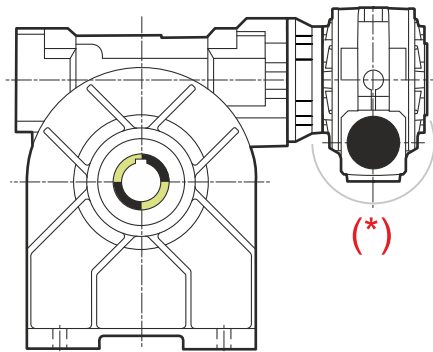
Hollow output shaft		AC 55
---------------------	--	-------

Electric motor

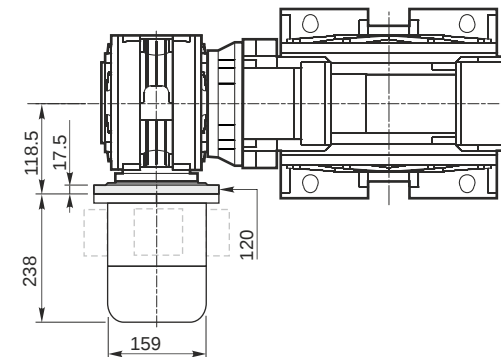
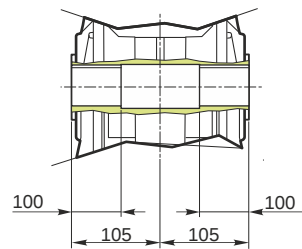
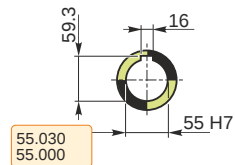
Size		80 B4
Poles		4
Power	[kW]	0.75

Electric motor configuration

Motor flange		B14
Terminal box position		X3

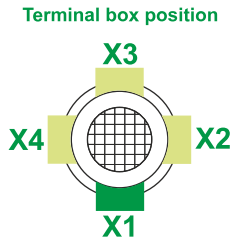
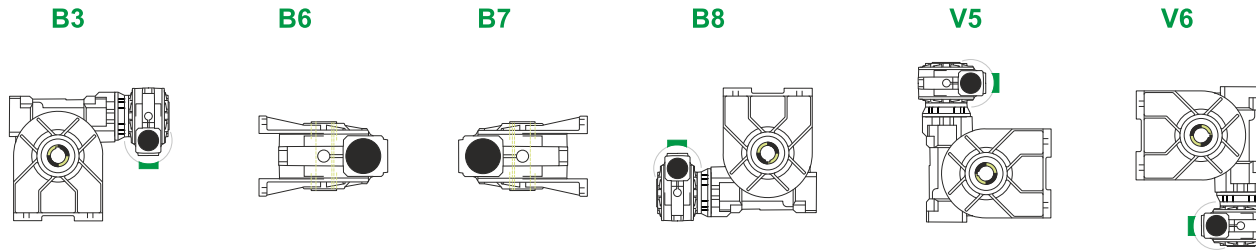


Hollow output shaft



M RS/RS 70/150 S (integral) 11 1568 80 B14 AC 55 MT 0.75 kW 80 B4 B14 X3 B3

Mounting positions

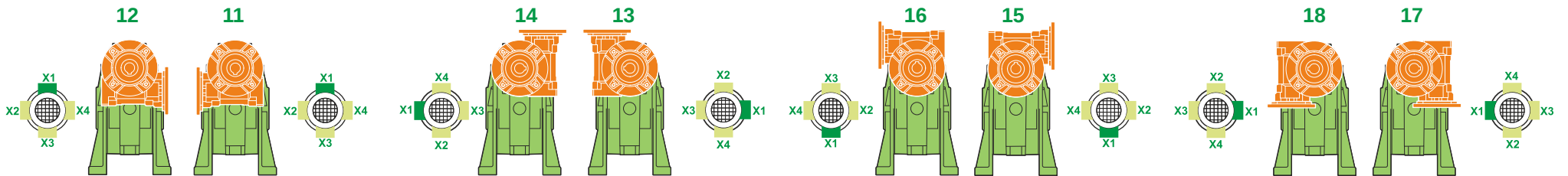


0.35	1
4.4	2

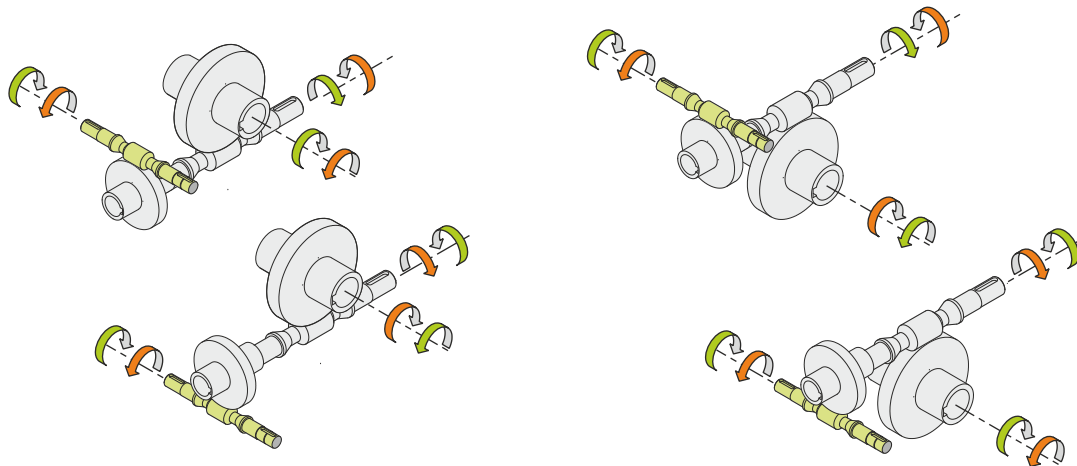


Lubricant type: Long life synthetic oil ISO VG320

Attachment position



Direction of rotation



Weight

Gear unit [kg]	90
Electric motor [kg]	9.8

Gearing data 2

	Axial module	8.45
	Number of starts	1
	Lead angle	1
	Pressure angle	20° 35'

Backdriving

- Static self-locking
- Slow back-driving in case of vibrations
- Low dynamic back-driving

M RS/RS 70/150 S (integral) 11 1568 80 B14 AC 55 MT 0.75 kW 80 B4 B14 X3 B3