

Input data

System of measurement		Metric
Input type		Gear motor
Input speed	[rpm]	1400
Output speed	[rpm]	0.63
Ratio (i=)		2240
Frequency	[Hz]	50
Input options		IEC
Requested input power	[kW]	0.55
Service factor		1
Rated Power P1	[kW]	0.55

Output data

Gear unit **M RS/RS 70/150 S (integral) 11 2240 80 B14 AC 55 MT 0.55 kW 80 A4 B14 X3 B3**

Type		RS/RS - Worm speed reducers
Input type		M
Size		70/150
Ratio (i=)		2240
Gearbox ratio		40.00
Pre-stage ratio		56.00
Input flange		B14
Mounting position		B3
Input speed	[rpm]	1400
Output speed	[rpm]	0.63
Rated output torque	[Nm]	3025.44
Service Factor		1
Efficiency		0.36

Gear unit configuration

Output shaft		Hollow output shaft
Fixing		Feet
Version		S (integral)
Attachment position		11

Output radial and axial loads

Ball bearings output radial load	[N]	15000
Taper bearings output radial load	[N]	19500
Ball bearings output axial load	[N]	3000
Taper bearings output axial load	[N]	3900

Accessories

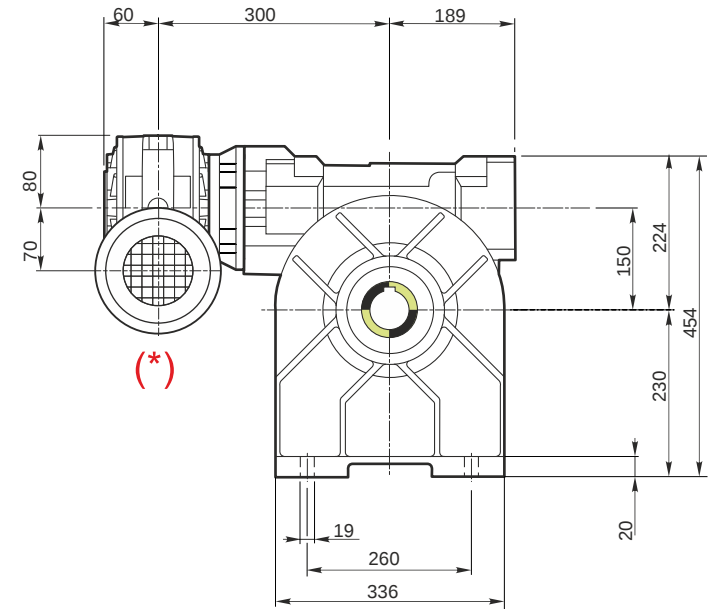
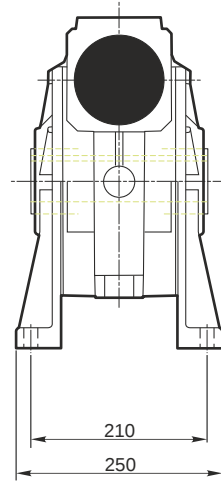
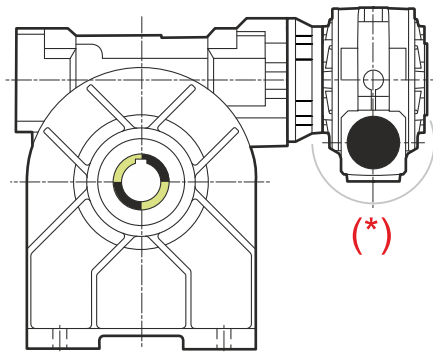
Hollow output shaft		AC 55
---------------------	--	-------

Electric motor

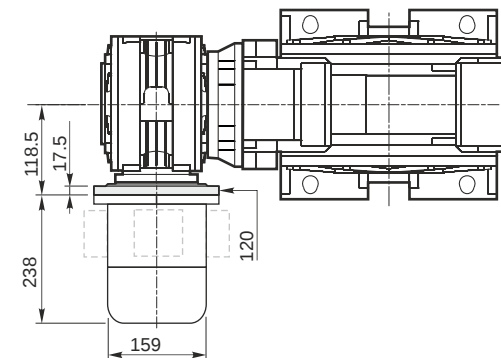
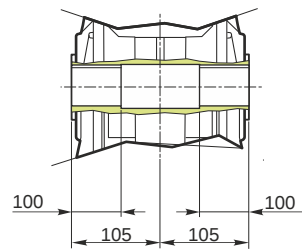
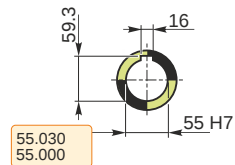
Size		80 A4
Poles		4
Power	[kW]	0.55

Electric motor configuration

Motor flange		B14
Terminal box position		X3

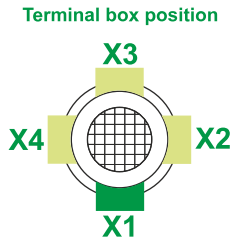
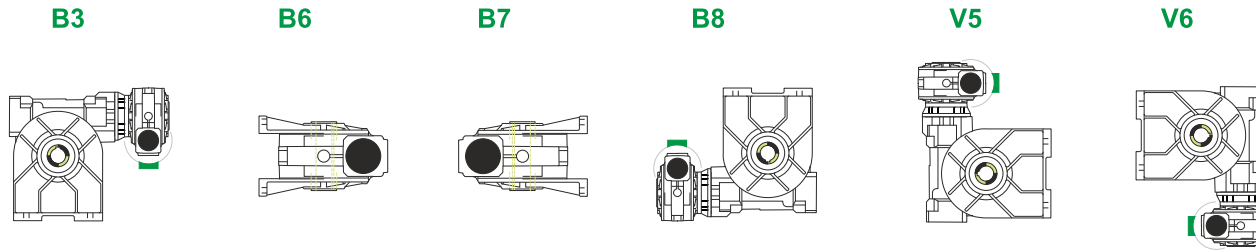


Hollow output shaft

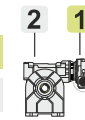


M RS/RS 70/150 S (integral) 11 2240 80 B14 AC 55 MT 0.55 kW 80 A4 B14 X3 B3

Mounting positions



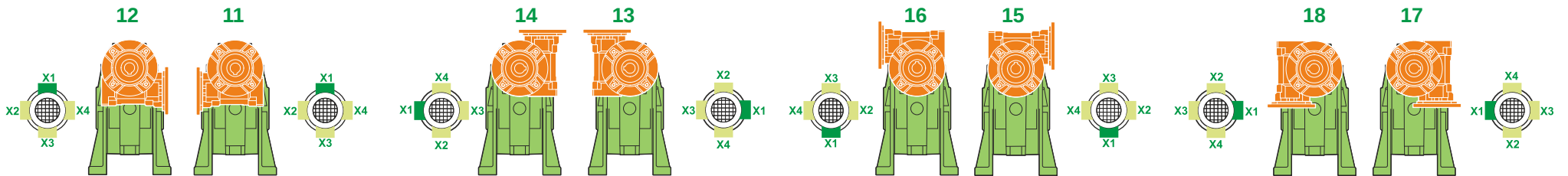
0.35	1
4.4	2



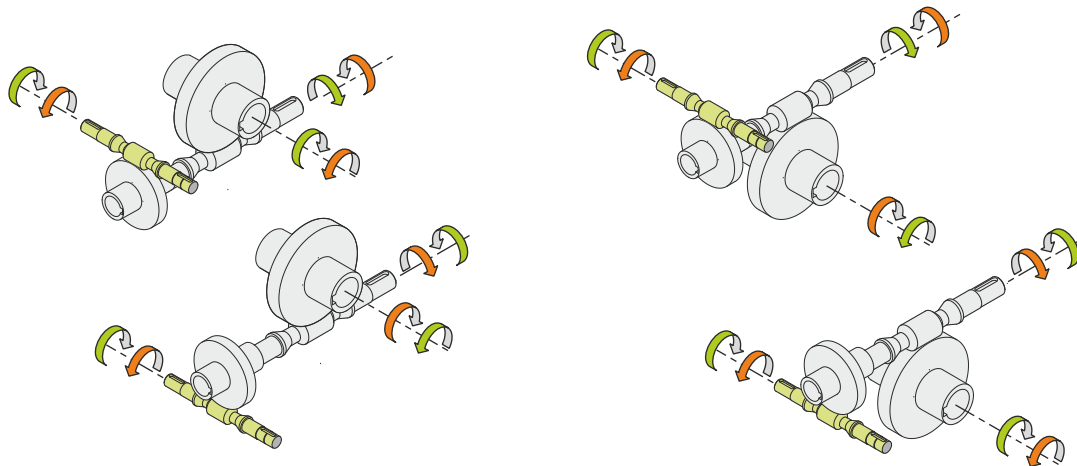
Oil quantity [litres]

Lubricant type: Long life synthetic oil ISO VG320

Attachment position



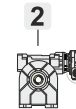
Direction of rotation



Weight

Gear unit [kg]	90
Electric motor [kg]	9.8

Gearing data 2



Axial module	6.25
Number of starts	1
Lead angle	1
Pressure angle	20°07'

Backdriving

- Static self-locking
- No back-driving
- No dynamic back-driving

M RS/RS 70/150 S (integral) 11 2240 80 B14 AC 55 MT 0.55 kW 80 A4 B14 X3 B3