

Input data

System of measurement		Metric
Input type		Gear motor
Input speed	[rpm]	1400
Output speed	[rpm]	0.25
Ratio (i=)		5600
Frequency	[Hz]	50
Input options		IEC
Requested input power	[kW]	0.25
Service factor		1
Rated Power P1	[kW]	0.26

Output data

Gear unit **M RS/RS 70/150 S (integral) 11 5600 71 B5 AC 55 MT 0.25 kW 71 A4 B5 X3 B3**

Type		RS/RS - Worm speed reducers
Input type		M
Size		70/150
Ratio (i=)		5600
Gearbox ratio		56.00
Pre-stage ratio		100.00
Input flange		B5
Mounting position		B3
Input speed	[rpm]	1400
Output speed	[rpm]	0.25
Rated output torque	[Nm]	2578.5
Service Factor		1
Efficiency		0.27

Gear unit configuration

Output shaft		Hollow output shaft
Fixing		Feet
Version		S (integral)
Attachment position		11

Output radial and axial loads

Ball bearings output radial load	[N]	15000
Taper bearings output radial load	[N]	19500
Ball bearings output axial load	[N]	3000
Taper bearings output axial load	[N]	3900

Accessories

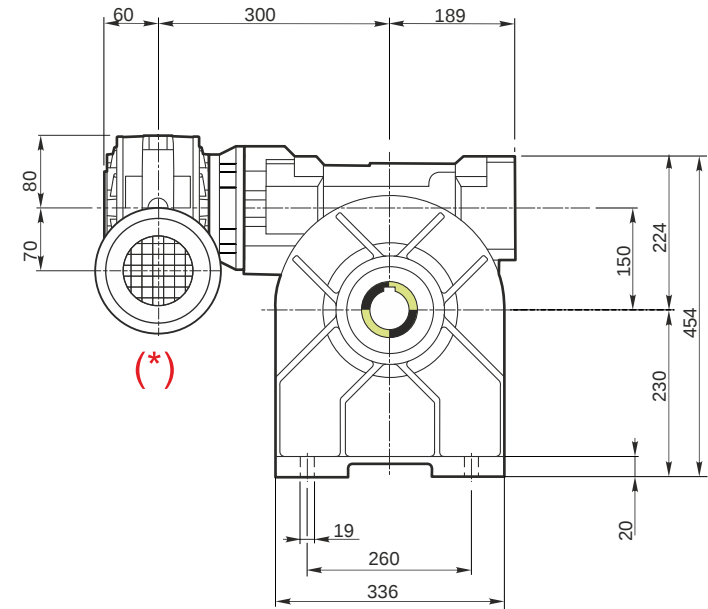
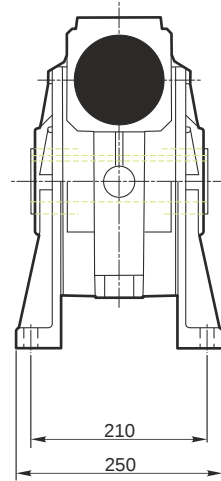
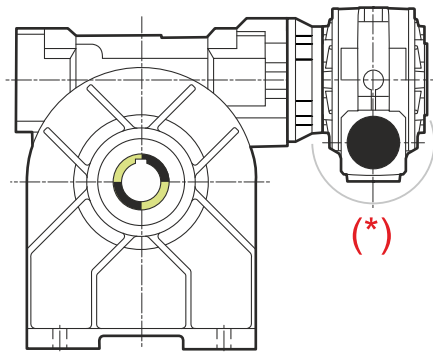
Hollow output shaft		AC 55
---------------------	--	-------

Electric motor

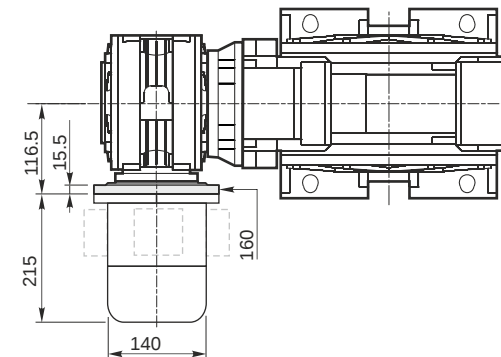
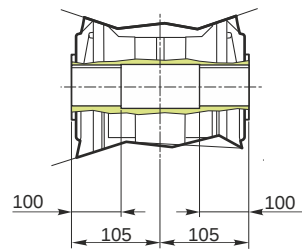
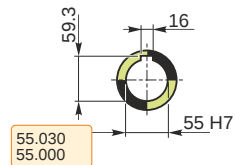
Size		71 A4
Poles		4
Power	[kW]	0.25

Electric motor configuration

Motor flange		B5
Terminal box position		X3

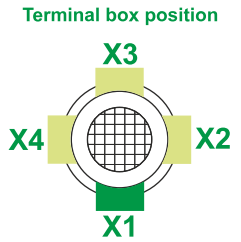
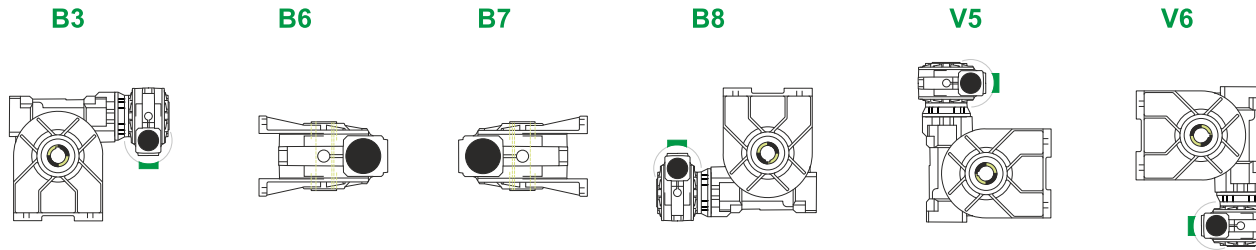


Hollow output shaft



M RS/RS 70/150 S (integral) 11 5600 71 B5 AC 55 MT 0.25 kW 71 A4 B5 X3 B3

Mounting positions

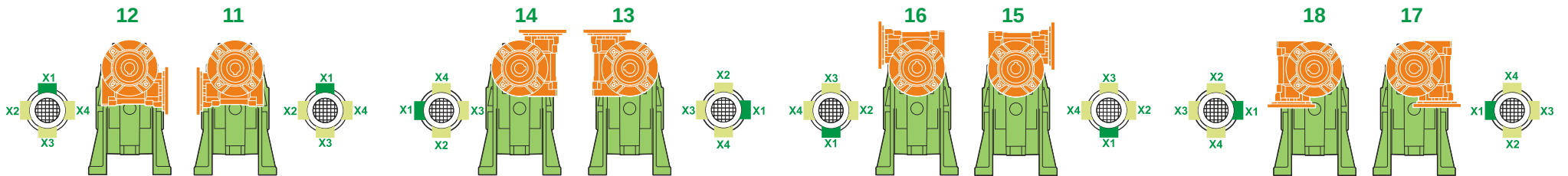


0.35	1
4.4	2

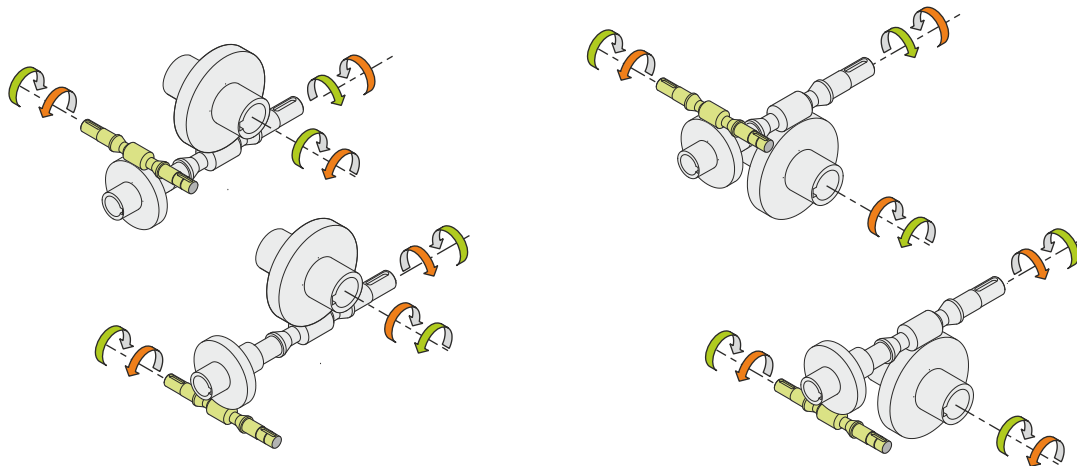


Lubricant type: Long life synthetic oil ISO VG320

Attachment position



Direction of rotation



Weight

Gear unit [kg]	90
Electric motor [kg]	6.2

Gearing data 2

2	Axial module	4.6
	Number of starts	1
	Lead angle	6° 11'
	Pressure angle	20°

Backdriving

- Static self-locking
- No back-driving
- No dynamic back-driving

M RS/RS 70/150 S (integral) 11 5600 71 B5 AC 55 MT 0.25 kW 71 A4 B5 X3 B3