

Input data

System of measurement		Metric	
Input type		Gear motor	
Input speed	[rpm]	1400	
Output speed	[rpm]	0.18	
Ratio (i=)		8000	
Frequency	[Hz]	50	
Input options		IEC	
Requested input power	[kW]	0.25	
Service factor		0.7	Warning! The torque generated by the selected motor is above the gearbox rated output torque; please refer to the gearbox rated output torque.
Rated Power P1	[kW]	0.17	

Output data

Gear unit	M RS/RS 70/150 S (integral) 11 8000 71 B5 AC 55 MT 0.25 kW 71 A4 B5 X3 B3
------------------	--

Type		RS/RS - Worm speed reducers
Input type		M
Size		70/150
Ratio (i=)		8000
Gearbox ratio		80.00
Pre-stage ratio		100.00
Input flange		B5
Mounting position		B3
Input speed	[rpm]	1400
Output speed	[rpm]	0.18
Rated output torque	[Nm]	2135
Service Factor		0.7
Efficiency		0.23

Gear unit configuration

Output shaft		Hollow output shaft
Fixing		Feet
Version		S (integral)
Attachment position		11

Output radial and axial loads

Ball bearings output radial load	[N]	15000
Taper bearings output radial load	[N]	19500
Ball bearings output axial load	[N]	3000
Taper bearings output axial load	[N]	3900

Accessories

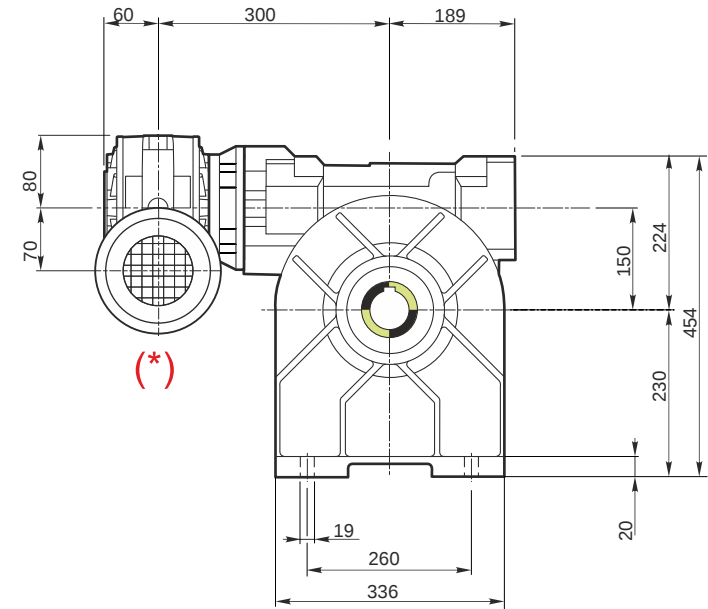
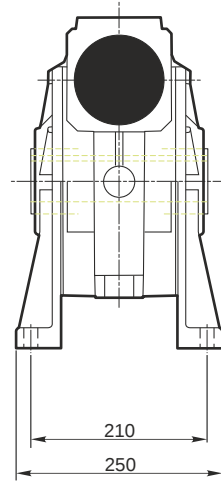
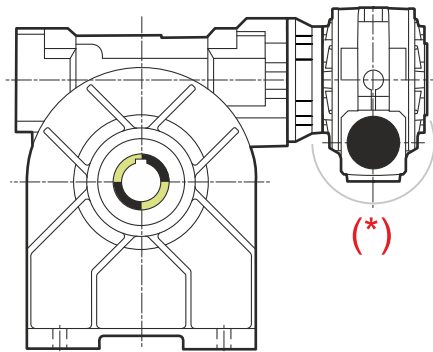
Hollow output shaft		AC 55
---------------------	--	-------

Electric motor

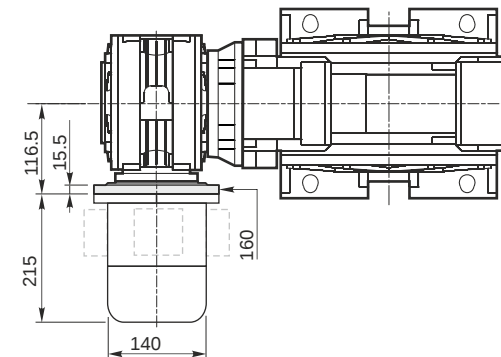
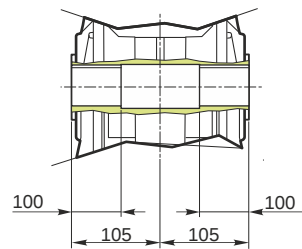
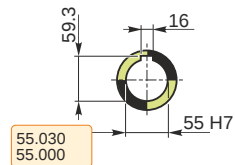
Size		71 A4
Poles		4
Power	[kW]	0.25

Electric motor configuration

Motor flange		B5
Terminal box position		X3

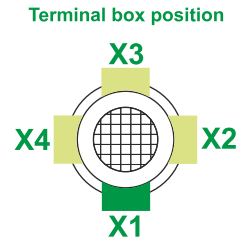
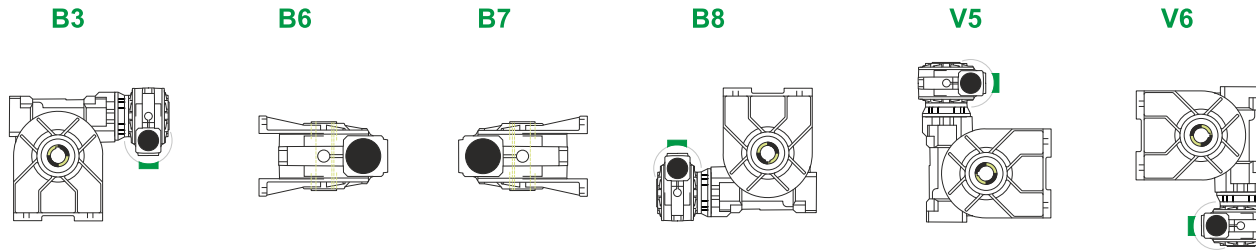


Hollow output shaft



M RS/RS 70/150 S (integral) 11 8000 71 B5 AC 55 MT 0.25 kW 71 A4 B5 X3 B3

Mounting positions

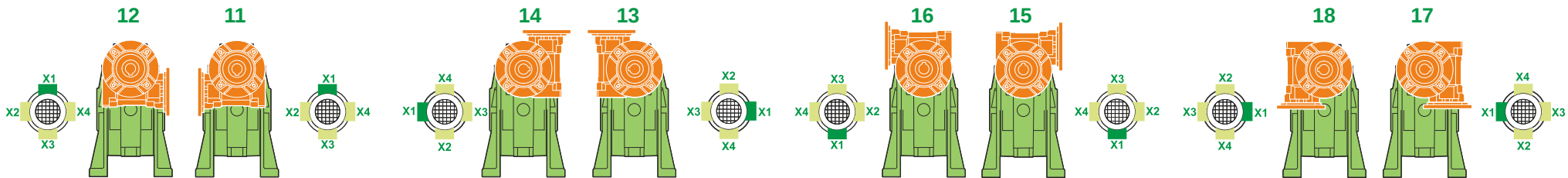


0.35	1
4.4	2

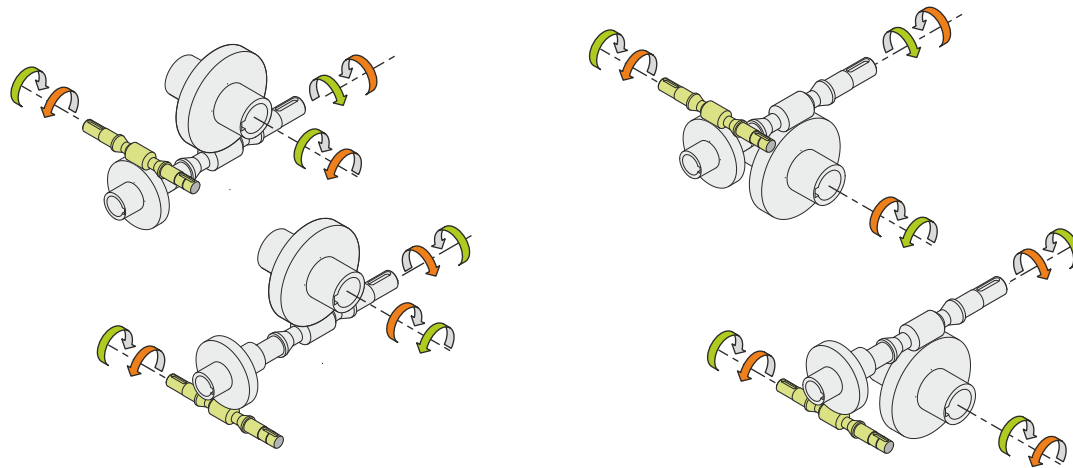


Lubricant type: Long life synthetic oil ISO VG320

Attachment position



Direction of rotation



Weight

Gear unit [kg]	90
Electric motor [kg]	6.2

Gearing data 2

2	Axial module	3.15
2	Number of starts	1
2	Lead angle	30°45'
2	Pressure angle	30°45'

Backdriving

- Static self-locking
- No back-driving
- No dynamic back-driving

M RS/RS 70/150 S (integral) 11 8000 71 B5 AC 55 MT 0.25 kW 71 A4 B5 X3 B3