

Input data

System of measurement		Metric
Input type		Gear motor
Input speed	[rpm]	1400
Output speed	[rpm]	22.65
Ratio (i=)		61.8
Frequency	[Hz]	50
Input options		IEC
Requested input power	[kW]	0.18
Service factor		1.5
Rated Power P1	[kW]	0.26

Output data

Gear unit **M TA 63/40 B3 10 61.8 63 B14 AC 19 MT 0.18 kW 63 B4 B14 X3**

Type		TA - Worm speed reducers
Input type		M
Size		63/40
Ratio (i=)		61.8
Gearbox ratio		10.00
Pre-stage ratio		6.18
Input flange		B14
Input speed	[rpm]	1400
Output speed	[rpm]	22.65
Rated output torque	[Nm]	59.19
Service Factor		1.5
Efficiency		0.78
Inertia moment	[kgm ²]	0.000022

Gear unit configuration

Output shaft		Hollow output shaft
Fixing		Universal
Version		B3
Attachment position		10

Output radial and axial loads

Ball bearings output radial load	[N]	1850
Taper bearings output radial load	[N]	2550
Ball bearings output axial load	[N]	370
Taper bearings output axial load	[N]	510

Accessories

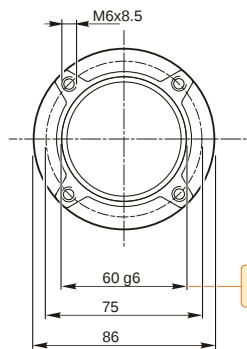
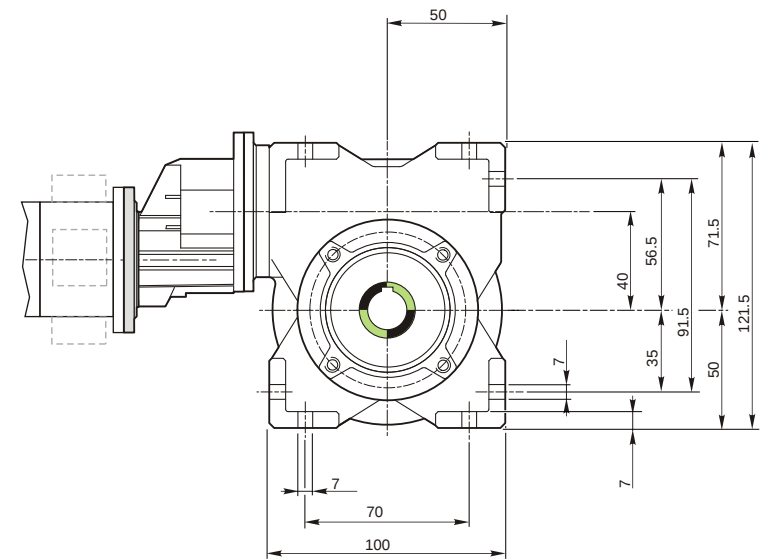
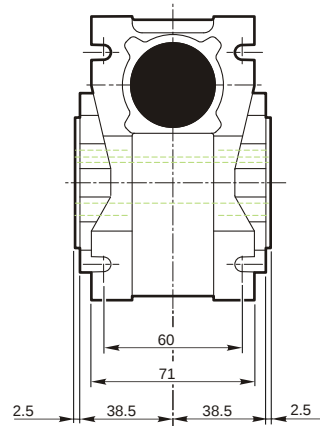
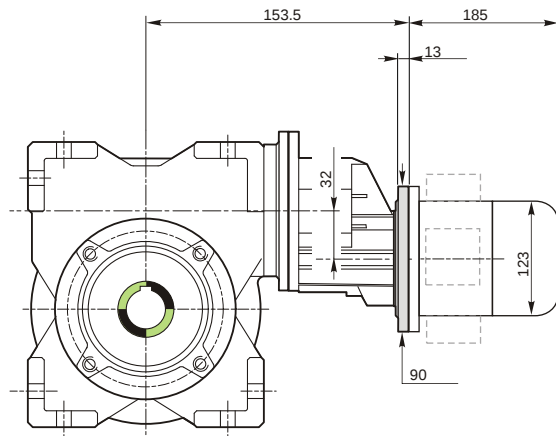
Hollow output shaft		AC 19
---------------------	--	-------

Electric motor

Size		63 B4
Poles		4
Power	[kW]	0.18

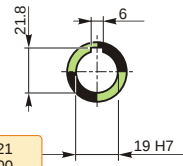
Electric motor configuration

Motor flange		B14
Terminal box position		X3

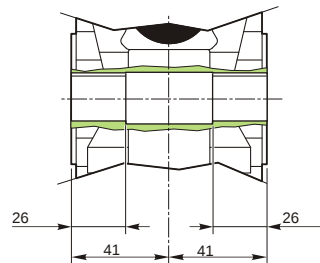


59.99
59.971

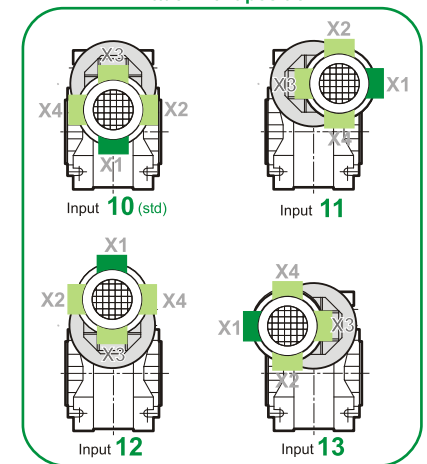
Hollow output shaft



19.021
19.000



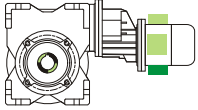
Attachment position



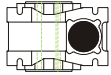
M TA 63/40 B3 10 61.8 63 B14 AC 19 MT 0.18 kW 63 B4 B14 X3

Mounting positions

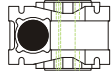
B3



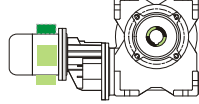
B6



B7



B8



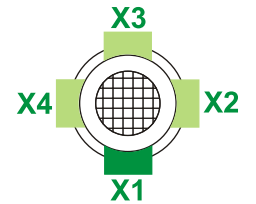
V5



V6



Terminal box position

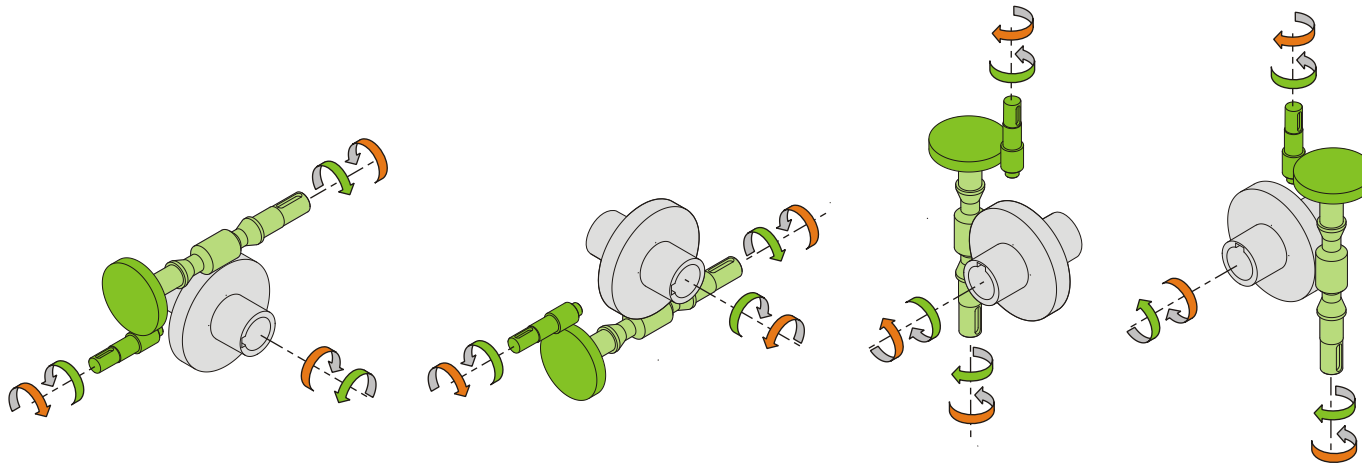


0.04	1	
0.08	2	

← Oil quantity [litres]

Lubricant type: Long life synthetic oil ISO VG320

Direction of rotation



Weight

Gear unit [kg]	4
Electric motor [kg]	4.3

Gearing data

Axial module	2
Number of starts	3
Lead angle	16° 41'
Pressure angle	20°

Backdriving

- Static back-driving
- Quick back-driving
- Dynamic back-driving

M TA 63/40 B3 10 61.8 63 B14 AC 19 MT 0.18 kW 63 B4 B14 X3