

Input data

System of measurement		Metric
Input type		Gear motor
Input speed	[rpm]	1400
Output speed	[rpm]	21.88
Ratio (i=)		64
Frequency	[Hz]	50
Input options		IEC
Requested input power	[kW]	0.37
Service factor		1.1
Rated Power P1	[kW]	0.41

Output data

Gear unit **M TA 71/50 B3 10 64 71 B14 AC 24 MT 0.37 kW 71 B4 B14 X3**

Type		TA - Worm speed reducers
Input type		M
Size		71/50
Ratio (i=)		64
Gearbox ratio		10.00
Pre-stage ratio		6.40
Input flange		B14
Input speed	[rpm]	1400
Output speed	[rpm]	21.88
Rated output torque	[Nm]	119.53
Service Factor		1.1
Efficiency		0.74
Inertia moment	[kgm ²]	0.000046

Gear unit configuration

Output shaft		Hollow output shaft
Fixing		Universal
Version		B3
Attachment position		10

Output radial and axial loads

Ball bearings output radial load	[N]	2700
Taper bearings output radial load	[N]	4050
Ball bearings output axial load	[N]	540
Taper bearings output axial load	[N]	810

Accessories

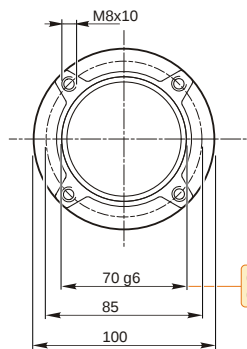
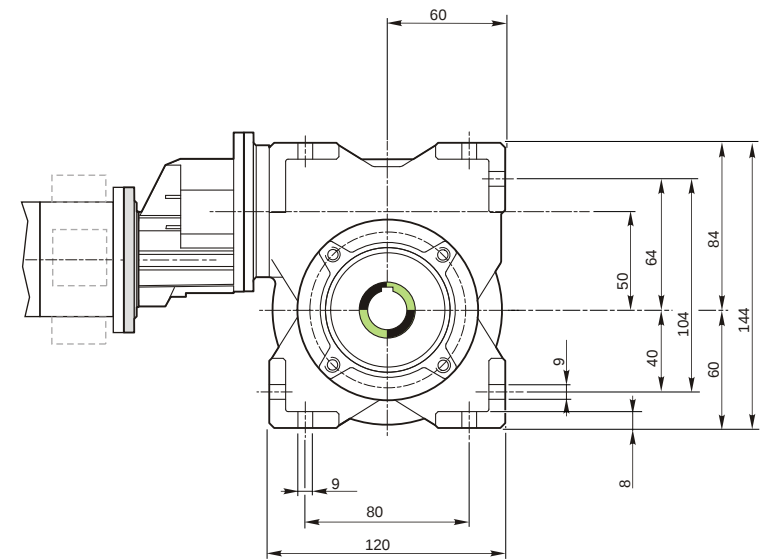
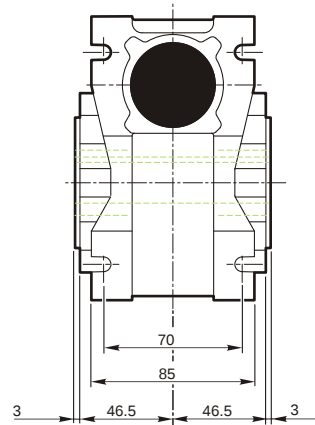
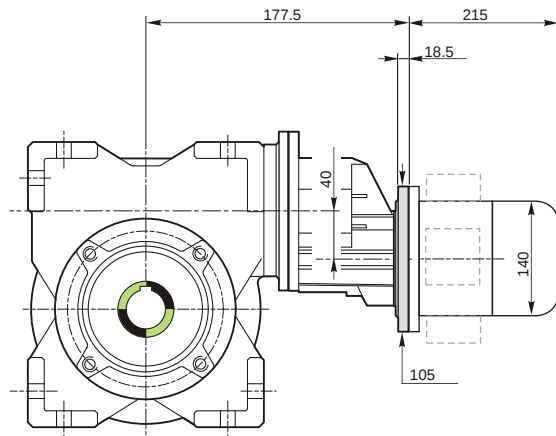
Hollow output shaft		AC 24
---------------------	--	-------

Electric motor

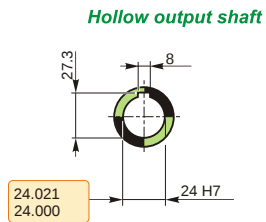
Size		71 B4
Poles		4
Power	[kW]	0.37

Electric motor configuration

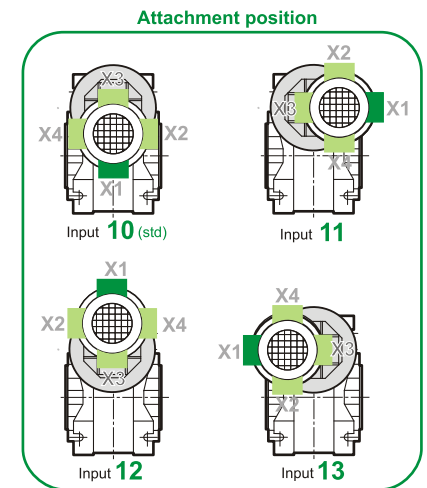
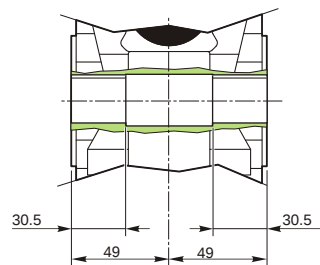
Motor flange		B14
Terminal box position		X3



69.99
69.971

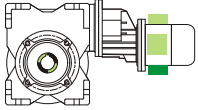


24.021
24.000

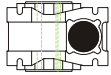


Mounting positions

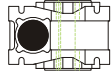
B3



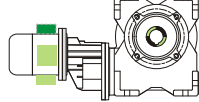
B6



B7



B8



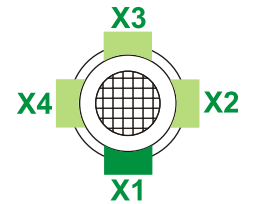
V5



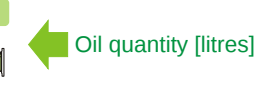
V6



Terminal box position

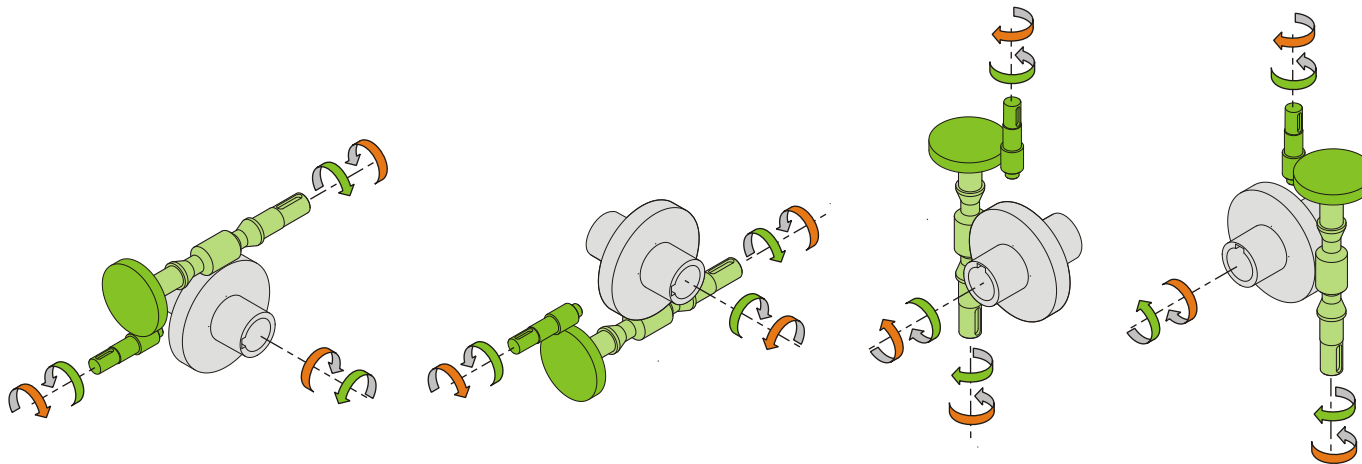


0.05	1	2	1
0.13	2	2	1



Lubricant type: Long life synthetic oil ISO VG320

Direction of rotation



Weight

Gear unit [kg]	6.6
Electric motor [kg]	6.2

Gearing data

Axial module	2.5
Number of starts	3
Lead angle	16° 41'
Pressure angle	20°

Backdriving

- Static back-driving
- Quick back-driving
- Dynamic back-driving

M TA 71/50 B3 10 64 71 B14 AC 24 MT 0.37 kW 71 B4 B14 X3