

### Input data

System of measurement		Metric
Input type		Gear motor
Input speed	[rpm]	1400
Output speed	[rpm]	10.94
Ratio (i=)		128
Frequency	[Hz]	50
Input options		IEC
Requested input power	[kW]	0.37
Service factor		1.1
Rated Power P1	[kW]	0.39

### Output data

**Gear unit** **M TA 71/60 B3 10 128 71 B14 AC 25 MT 0.37 kW 71 B4 B14 X3**

Type		TA - Worm speed reducers
Input type		M
Size		71/60
Ratio (i=)		128
Gearbox ratio		20.00
Pre-stage ratio		6.40
Input flange		B14
Input speed	[rpm]	1400
Output speed	[rpm]	10.94
Rated output torque	[Nm]	216.45
Service Factor		1.1
Efficiency		0.67
Inertia moment	[kgm <sup>2</sup> ]	0.000047

#### Gear unit configuration

Output shaft		Hollow output shaft
Fixing		Universal
Version		B3
Attachment position		10

#### Output radial and axial loads

Ball bearings output radial load	[N]	5600
Taper bearings output radial load	[N]	6600
Ball bearings output axial load	[N]	1120
Taper bearings output axial load	[N]	1320

#### Accessories

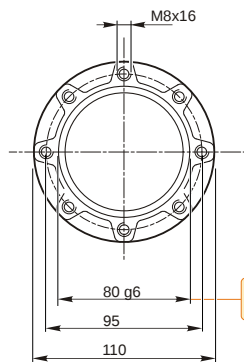
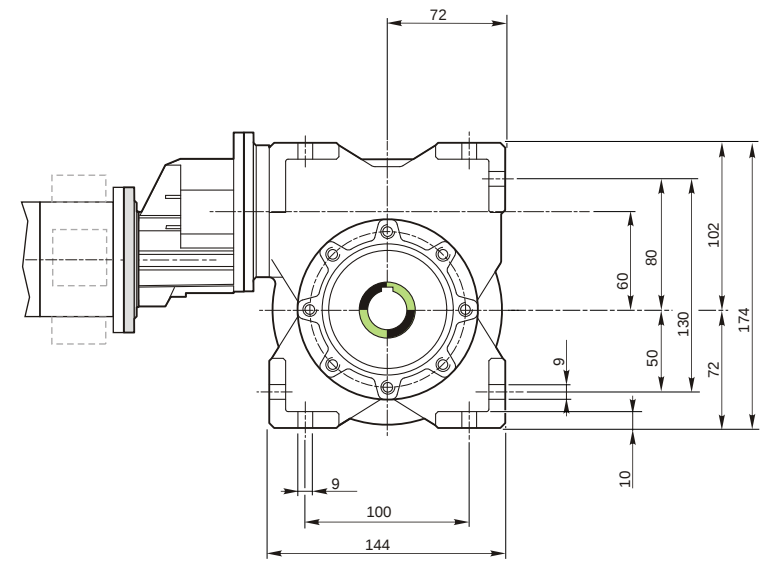
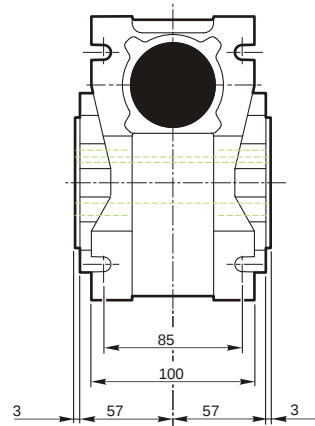
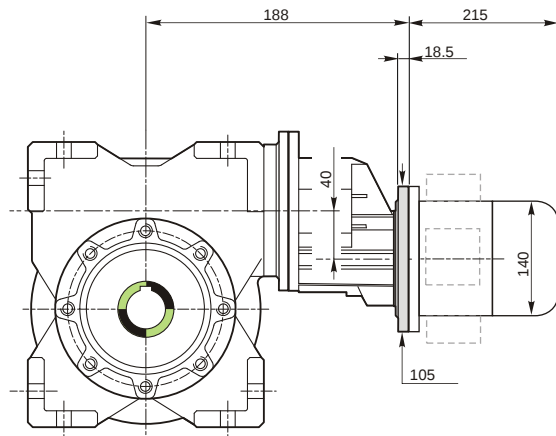
Hollow output shaft		AC 25
---------------------	--	-------

#### Electric motor

Size		71 B4
Poles		4
Power	[kW]	0.37

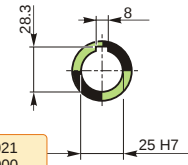
#### Electric motor configuration

Motor flange		B14
Terminal box position		X3

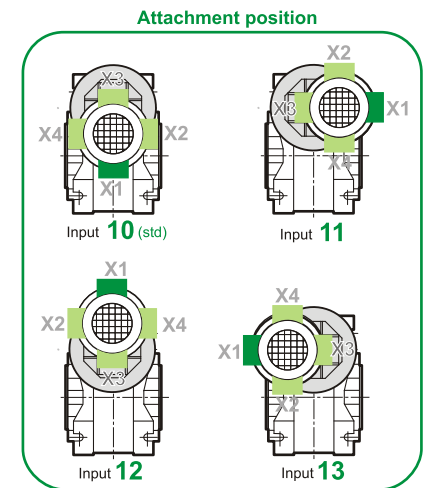
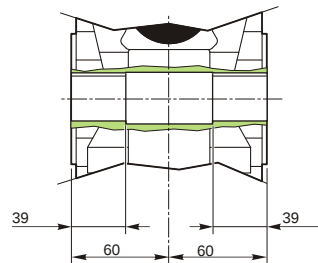


79.99  
79.971

Hollow output shaft



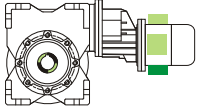
25.021  
25.000



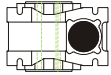
**M TA 71/60 B3 10 128 71 B14 AC 25 MT 0.37 kW 71 B4 B14 X3**

**Mounting positions**

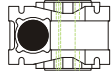
**B3**



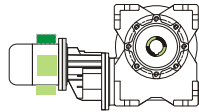
**B6**



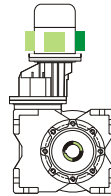
**B7**



**B8**



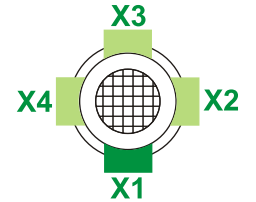
**V5**



**V6**



Terminal box position

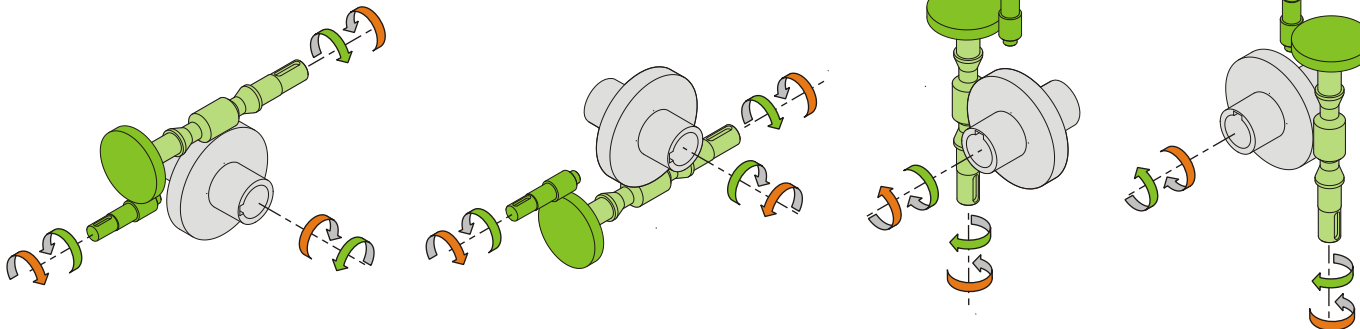


0.05	1	
0.23	2	

← Oil quantity [litres]

Lubricant type: Long life synthetic oil ISO VG320

**Direction of rotation**



**Weight**

Gear unit [kg]	9.3
Electric motor [kg]	6.2

**Gearing data**

Axial module	2.4
Number of starts	2
Lead angle	11° 18'
Pressure angle	20°

**Backdriving**

Variable static self-locking  
Quick back-driving in case of vibrations  
Dynamic back-driving

**M TA 71/60 B3 10 128 71 B14 AC 25 MT 0.37 kW 71 B4 B14 X3**