

### Input data

System of measurement		Metric
Input type		Gear motor
Input speed	[rpm]	1400
Output speed	[rpm]	22.47
Ratio (i=)		62.3
Frequency	[Hz]	50
Input options		IEC
Requested input power	[kW]	1.5
Service factor		2.2
Rated Power P1	[kW]	3.28

### Output data

**Gear unit** **M TA 100/110 B3 10 62.3 90 B14 AC 42 MT 1.5 kW 90 L4 B14 X3**

Type		TA - Worm speed reducers
Input type		M
Size		100/110
Ratio (i=)		62.3
Gearbox ratio		10.00
Pre-stage ratio		6.23
Input flange		B14
Input speed	[rpm]	1400
Output speed	[rpm]	22.47
Rated output torque	[Nm]	503.6
Service Factor		2.2
Efficiency		0.79

#### Gear unit configuration

Output shaft		Hollow output shaft
Fixing		Universal
Version		B3
Attachment position		10

#### Output radial and axial loads

Ball bearings output radial load	[N]	7900
Taper bearings output radial load	[N]	11100
Ball bearings output axial load	[N]	1580
Taper bearings output axial load	[N]	2220

#### Accessories

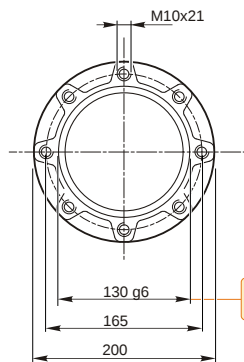
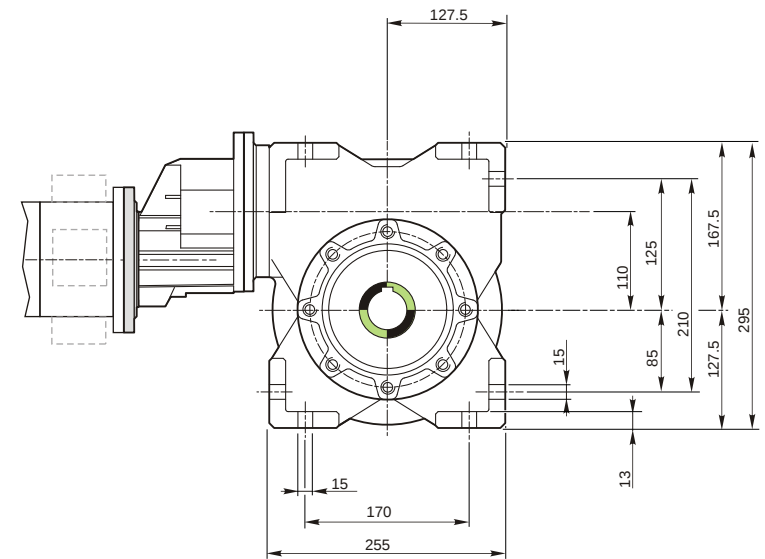
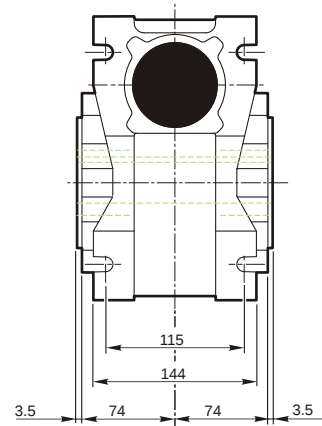
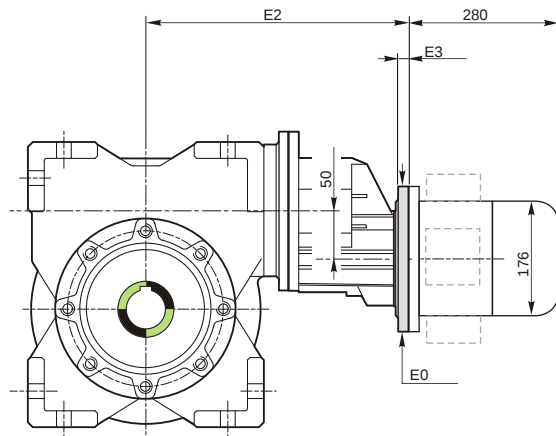
Hollow output shaft		AC 42
---------------------	--	-------

### Electric motor

Size		90 L4
Poles		4
Power	[kW]	1.5

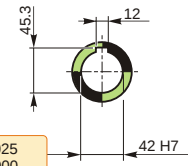
#### Electric motor configuration

Motor flange		B14
Terminal box position		X3

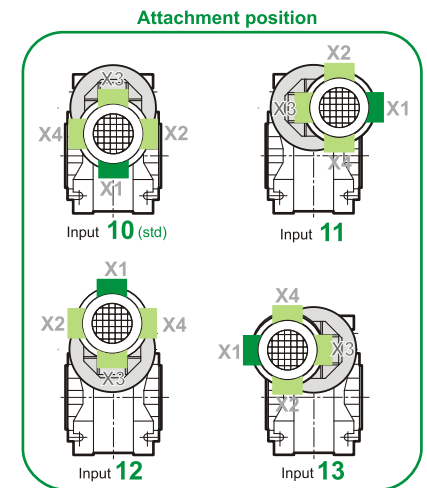
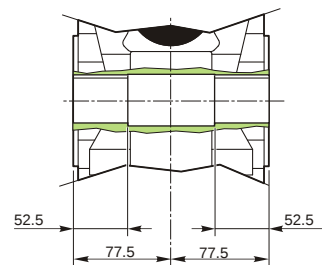


129.986  
129.961

Hollow output shaft



42.025  
42.000



**M TA 100/110 B3 10 62.3 90 B14 AC 42 MT 1.5 kW 90 L4 B14 X3**

**Mounting positions**

**B3**

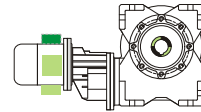
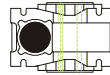
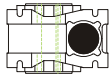
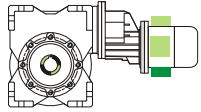
**B6**

**B7**

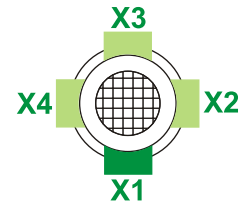
**B8**

**V5**

**V6**



Terminal box position



0.2

1



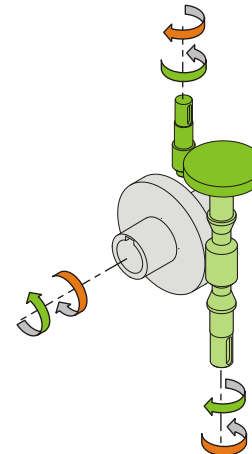
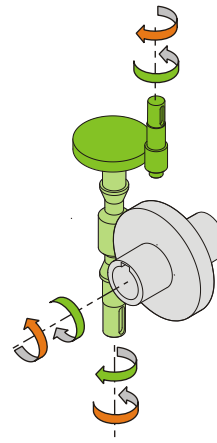
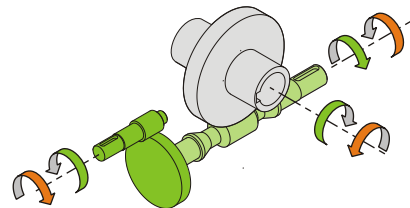
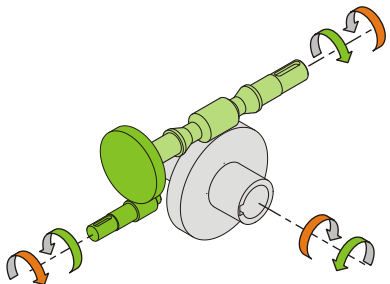
1.5

2

← Oil quantity [litres]

Lubricant type: Long life synthetic oil ISO VG320

**Direction of rotation**



**Weight**

Gear unit [kg]	46
Electric motor [kg]	13.5

**Gearing data**

Axial module	5.8
Number of starts	3
Lead angle	20° 43'
Pressure angle	20°

**Backdriving**

- Static back-driving
- Quick back-driving
- Dynamic back-driving

**M TA 100/110 B3 10 62.3 90 B14 AC 42 MT 1.5 kW 90 L4 B14 X3**