

Input data

System of measurement		Metric
Input type		Gear motor
Input speed	[rpm]	1400
Output speed	[rpm]	18.04
Ratio (i=)		77.6
Frequency	[Hz]	50
Input options		IEC
Requested input power	[kW]	1.5
Service factor		1.6
Rated Power P1	[kW]	2.35

Output data

Gear unit M TA 100/110 B3 10 77.6 90 B14 AC 42 MT 1.5 kW 90 L4 B14 X3

Type		TA - Worm speed reducers
Input type		M
Size		100/110
Ratio (i=)		77.6
Gearbox ratio		20.00
Pre-stage ratio		3.88
Input flange		B14
Input speed	[rpm]	1400
Output speed	[rpm]	18.04
Rated output torque	[Nm]	579.63
Service Factor		1.6
Efficiency		0.73

Gear unit configuration

Output shaft		Hollow output shaft
Fixing		Universal
Version		B3
Attachment position		10

Output radial and axial loads

Ball bearings output radial load	[N]	8000
Taper bearings output radial load	[N]	11100
Ball bearings output axial load	[N]	1600
Taper bearings output axial load	[N]	2220

Accessories

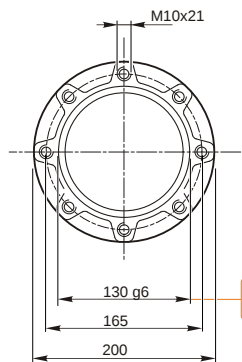
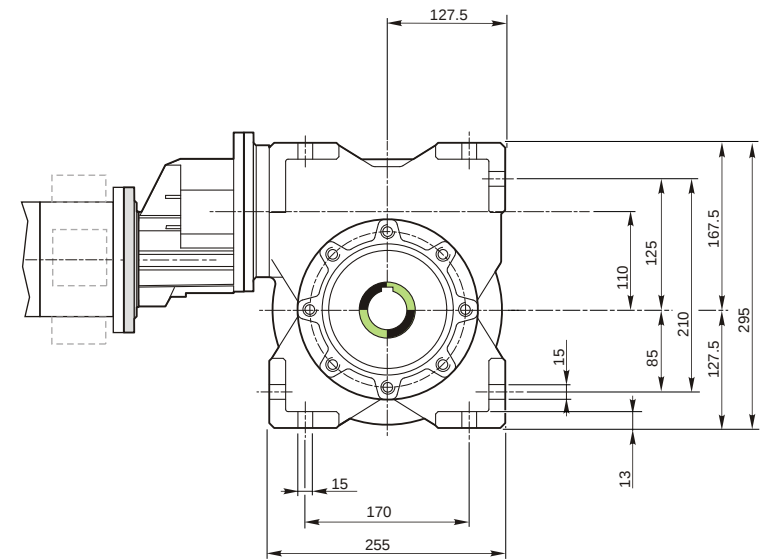
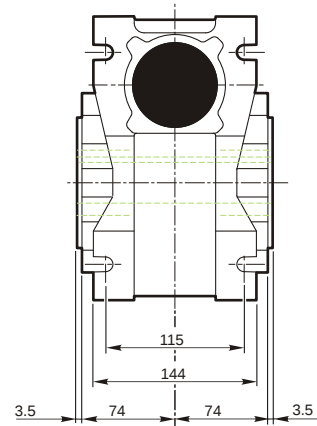
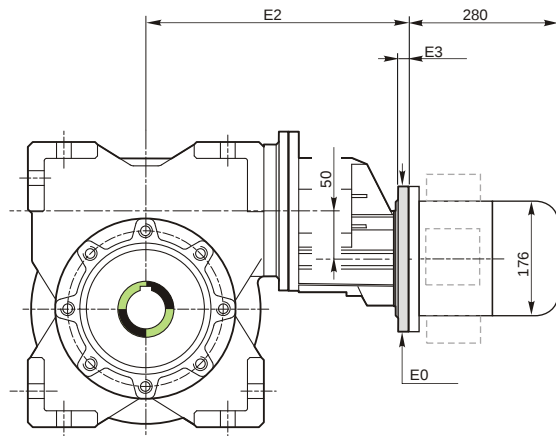
Hollow output shaft		AC 42
---------------------	--	-------

Electric motor

Size		90 L4
Poles		4
Power	[kW]	1.5

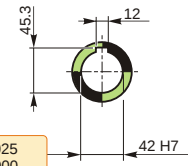
Electric motor configuration

Motor flange		B14
Terminal box position		X3

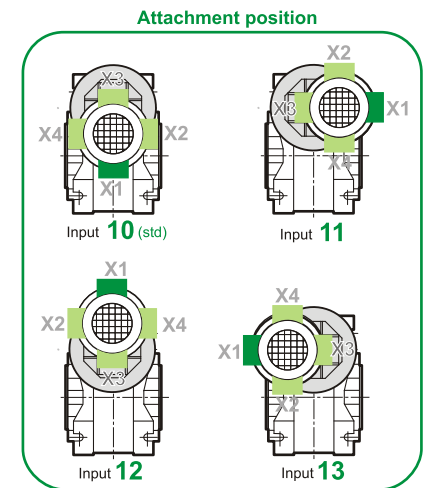
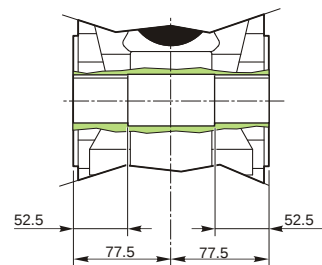


129.986
129.961

Hollow output shaft



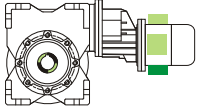
42.025
42.000



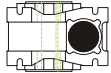
M TA 100/110 B3 10 77.6 90 B14 AC 42 MT 1.5 kW 90 L4 B14 X3

Mounting positions

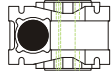
B3



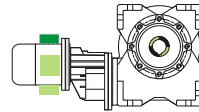
B6



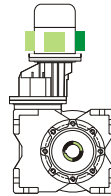
B7



B8



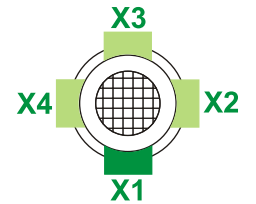
V5



V6



Terminal box position



0.2

1



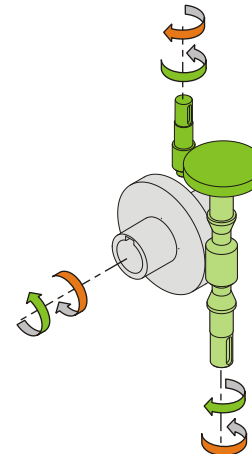
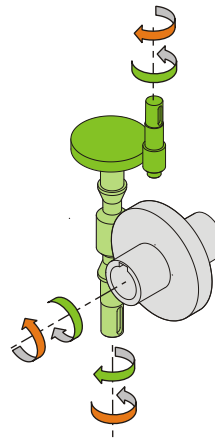
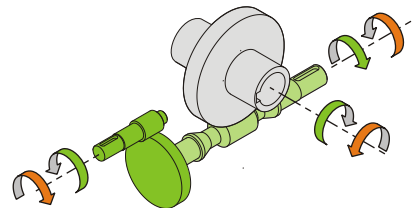
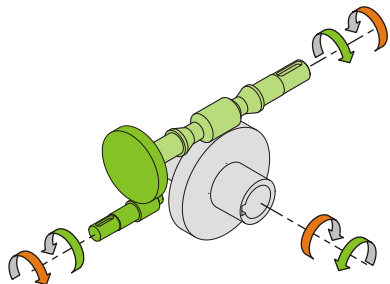
← Oil quantity [litres]

1.5

2

Lubricant type: Long life synthetic oil ISO VG320

Direction of rotation



Weight

Gear unit [kg]	46
Electric motor [kg]	13.5

Gearing data

Axial module	4.4
Number of starts	2
Lead angle	11° 18'
Pressure angle	20°

Backdriving

Variable static self-locking
Quick back-driving in case of vibrations
Dynamic back-driving

M TA 100/110 B3 10 77.6 90 B14 AC 42 MT 1.5 kW 90 L4 B14 X3