

Input data

System of measurement		Metric
Input type		Gear motor
Input speed	[rpm]	1400
Output speed	[rpm]	5.62
Ratio (i=)		249.2
Frequency	[Hz]	50
Input options		IEC
Requested input power	[kW]	1.1
Service factor		1
Rated Power P1	[kW]	1.15

Output data

Gear unit	M TA 100/110 B3 10 249.2 90 B14 AC 42 MT 1.1 kW 90 S4 B14 X3
------------------	---

Type		TA - Worm speed reducers
Input type		M
Size		100/110
Ratio (i=)		249.2
Gearbox ratio		40.00
Pre-stage ratio		6.23
Input flange		B14
Input speed	[rpm]	1400
Output speed	[rpm]	5.62
Rated output torque	[Nm]	1065.84
Service Factor		1
Efficiency		0.57

Gear unit configuration

Output shaft		Hollow output shaft
Fixing		Universal
Version		B3
Attachment position		10

Output radial and axial loads

Ball bearings output radial load	[N]	9800
Taper bearings output radial load	[N]	11100
Ball bearings output axial load	[N]	1960
Taper bearings output axial load	[N]	2220

Accessories

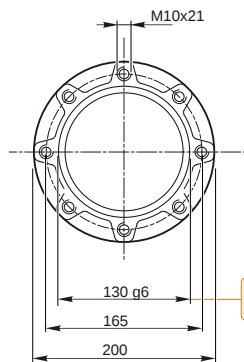
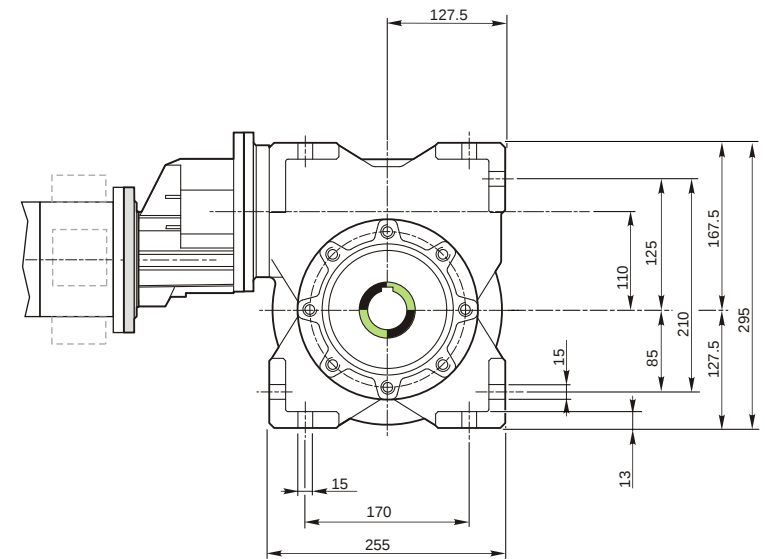
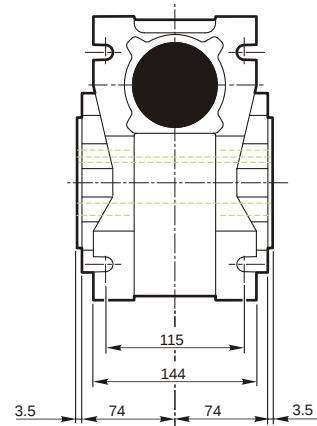
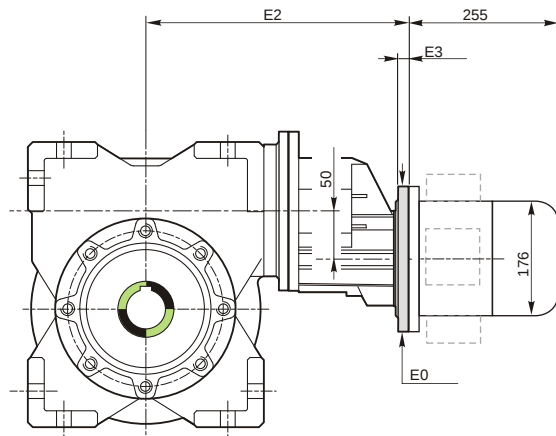
Hollow output shaft		AC 42
---------------------	--	-------

Electric motor

Size		90 S4
Poles		4
Power	[kW]	1.1

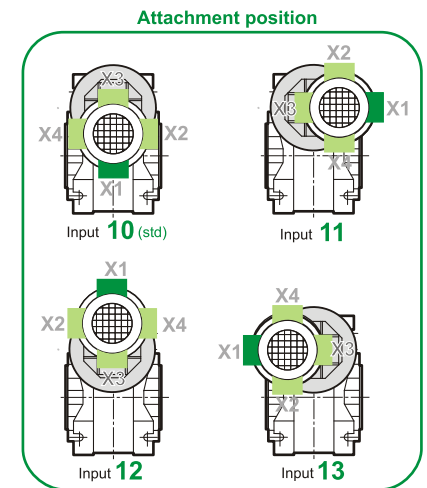
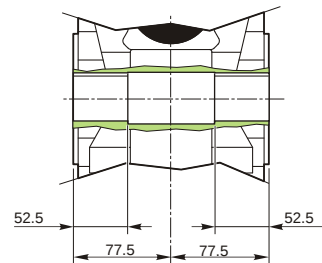
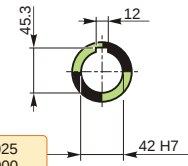
Electric motor configuration

Motor flange		B14
Terminal box position		X3



129.986
129.961

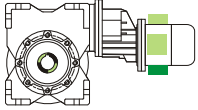
Hollow output shaft



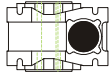
M TA 100/110 B3 10 249.2 90 B14 AC 42 MT 1.1 kW 90 S4 B14 X3

Mounting positions

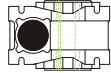
B3



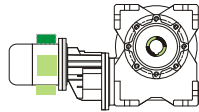
B6



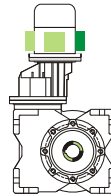
B7



B8



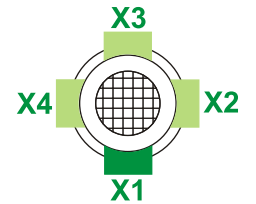
V5



V6



Terminal box position



0.2

1

1.5

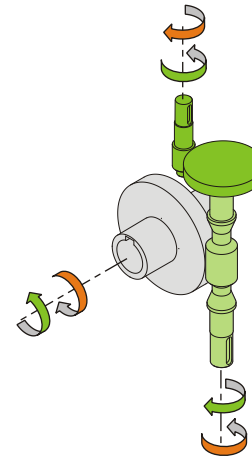
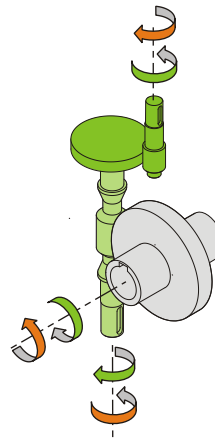
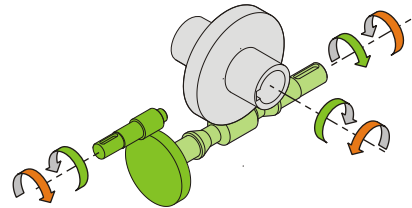
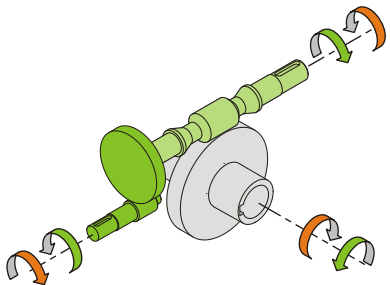
2



← Oil quantity [litres]

Lubricant type: Long life synthetic oil ISO VG320

Direction of rotation



Weight

Gear unit [kg]	46
Electric motor [kg]	12

Gearing data

Axial module	4.4
Number of starts	1
Lead angle	5° 42'
Pressure angle	20°

Backdriving

Static self-locking
Slow back-driving in case of vibrations
Low dynamic back-driving

M TA 100/110 B3 10 249.2 90 B14 AC 42 MT 1.1 kW 90 S4 B14 X3