

Input data

System of measurement		Metric
Input type		Gear motor
Input speed	[rpm]	1400
Output speed	[rpm]	14.98
Ratio (i=)		93.45
Frequency	[Hz]	50
Input options		IEC
Requested input power	[kW]	1.5
Service factor		1.6
Rated Power P1	[kW]	2.44

Output data

Gear unit	M TA 100/110 B3 10 93.45 90 B14 AC 42 MT 1.5 kW 90 L4 B14 X3
------------------	---

Type		TA - Worm speed reducers
Input type		M
Size		100/110
Ratio (i=)		93.45
Gearbox ratio		15.00
Pre-stage ratio		6.23
Input flange		B14
Input speed	[rpm]	1400
Output speed	[rpm]	14.98
Rated output torque	[Nm]	707.58
Service Factor		1.6
Efficiency		0.74

Gear unit configuration

Output shaft		Hollow output shaft
Fixing		Universal
Version		B3
Attachment position		10

Output radial and axial loads

Ball bearings output radial load	[N]	9600
Taper bearings output radial load	[N]	11100
Ball bearings output axial load	[N]	1920
Taper bearings output axial load	[N]	2220

Accessories

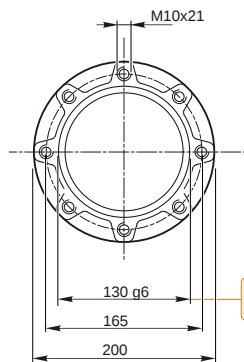
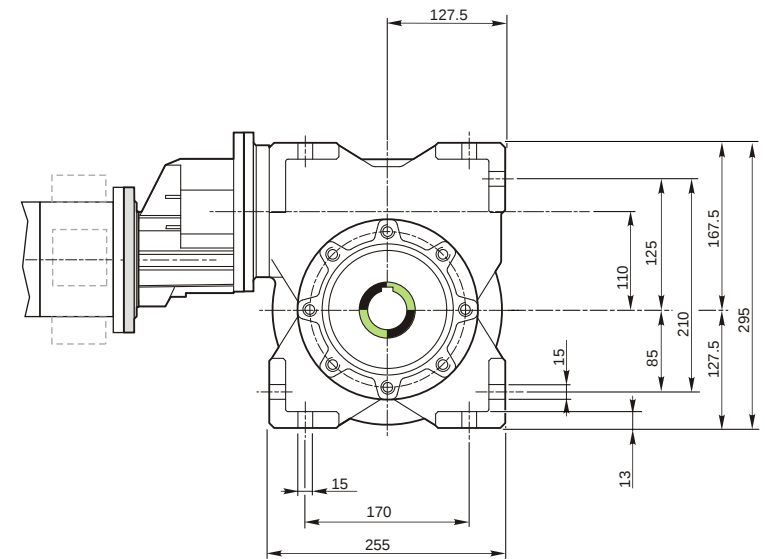
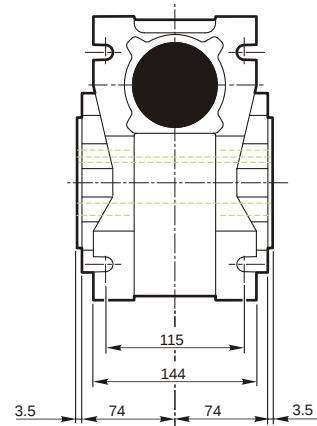
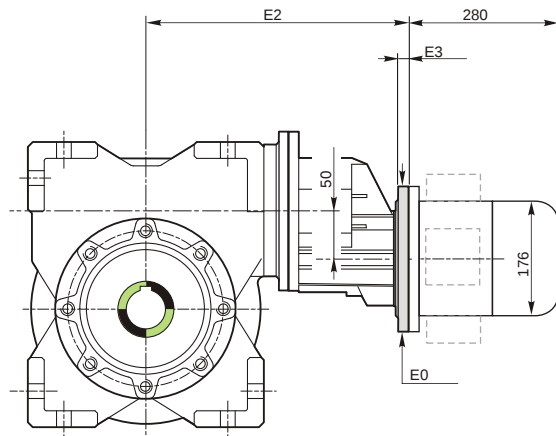
Hollow output shaft		AC 42
---------------------	--	-------

Electric motor

Size		90 L4
Poles		4
Power	[kW]	1.5

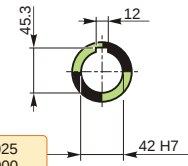
Electric motor configuration

Motor flange		B14
Terminal box position		X3

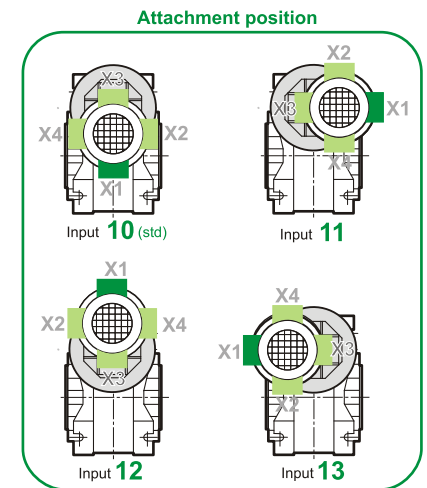
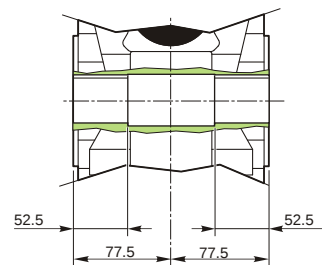


129.986
129.961

Hollow output shaft



42.025
42.000



M TA 100/110 B3 10 93.45 90 B14 AC 42 MT 1.5 kW 90 L4 B14 X3

Mounting positions

B3

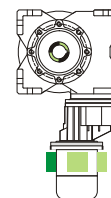
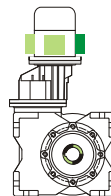
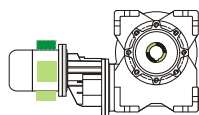
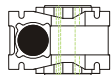
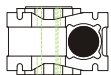
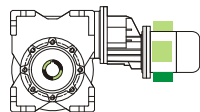
B6

B7

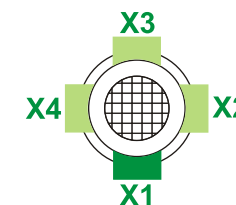
B8

V5

V6



Terminal box position



0.2

1



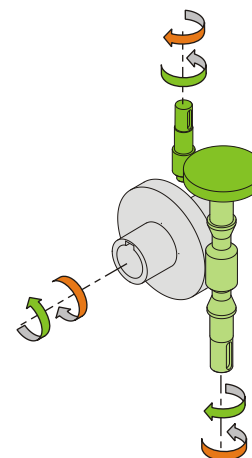
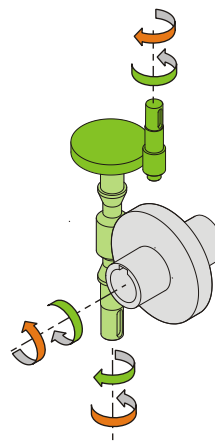
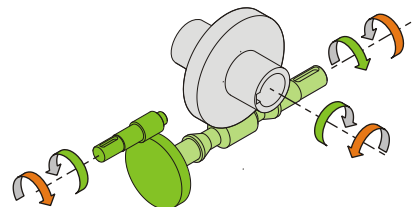
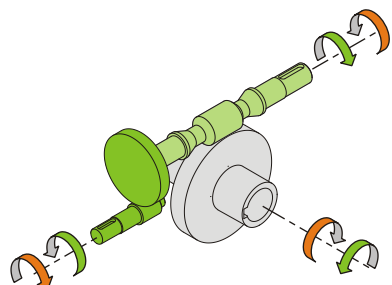
1.5

2

← Oil quantity [litres]

Lubricant type: Long life synthetic oil ISO VG320

Direction of rotation



Weight

Gear unit [kg]	46
Electric motor [kg]	13.5

Gearing data

Axial module	5.8
Number of starts	2
Lead angle	14° 09'
Pressure angle	20°

Backdriving

Static back-driving
Quick back-driving
Dynamic back-driving

M TA 100/110 B3 10 93.45 90 B14 AC 42 MT 1.5 kW 90 L4 B14 X3