

Input data

System of measurement		Metric
Input type		Gear motor
Input speed	[rpm]	1400
Output speed	[rpm]	5.47
Ratio (i=)		256
Frequency	[Hz]	50
Input options		IEC
Requested input power	[kW]	0.37
Service factor		0.8
Rated Power P1	[kW]	0.31

Output data

Gear unit	M RA 71/70 PC 10 256 71 B14 AC 28 MT 0.37 kW 71 B4 B14 X3 B3	
------------------	---	--

Type		RA - Worm speed reducers
Input type		M
Size		71/70
Ratio (i=)		256
Gearbox ratio		40.00
Pre-stage ratio		6.40
Input flange		B14
Mounting position		B3
Input speed	[rpm]	1400
Output speed	[rpm]	5.47
Rated output torque	[Nm]	348.91
Service Factor		0.8
Efficiency		0.54
Inertia moment	[kgm ²]	0.000051

Gear unit configuration

Output shaft		Hollow output shaft
Fixing		Shaft mounting
Version		PC
Attachment position		10

Output radial and axial loads

Ball bearings output radial load	[N]	6700
Taper bearings output radial load	[N]	7900
Ball bearings output axial load	[N]	1340
Taper bearings output axial load	[N]	1580

Accessories

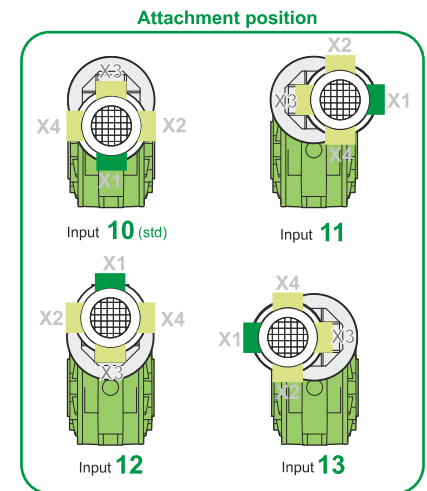
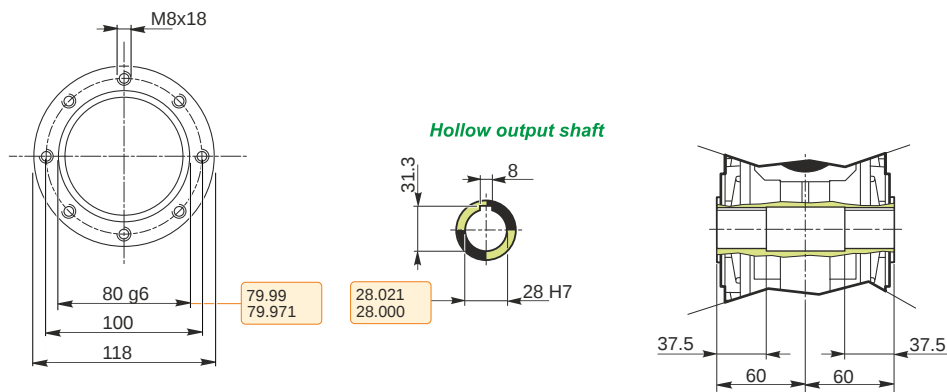
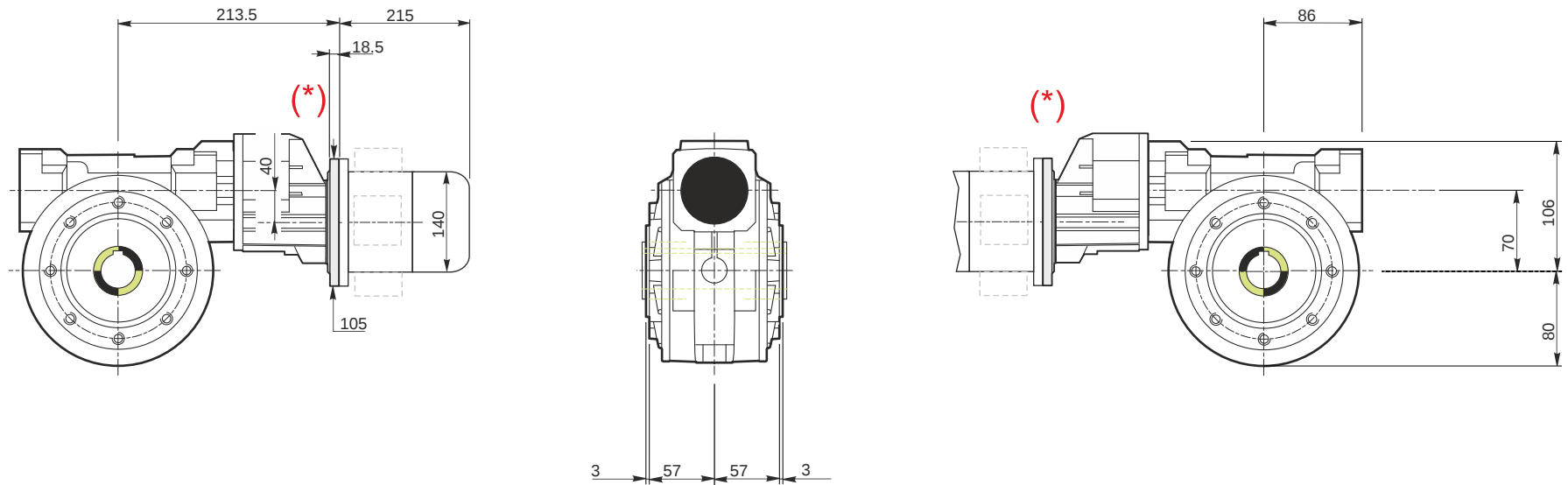
Hollow output shaft		AC 28
---------------------	--	-------

Electric motor

Size		71 B4
Poles		4
Power	[kW]	0.37

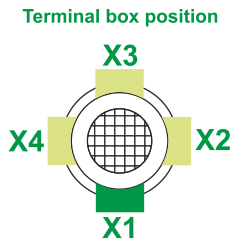
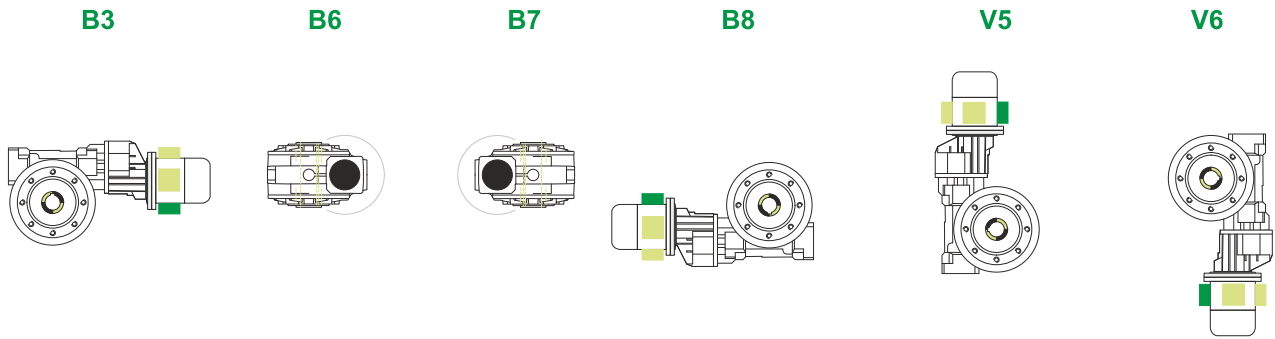
Electric motor configuration

Motor flange		B14
Terminal box position		X3



M RA 71/70 PC 10 256 71 B14 AC 28 MT 0.37 kW 71 B4 B14 X3 B3

Mounting positions

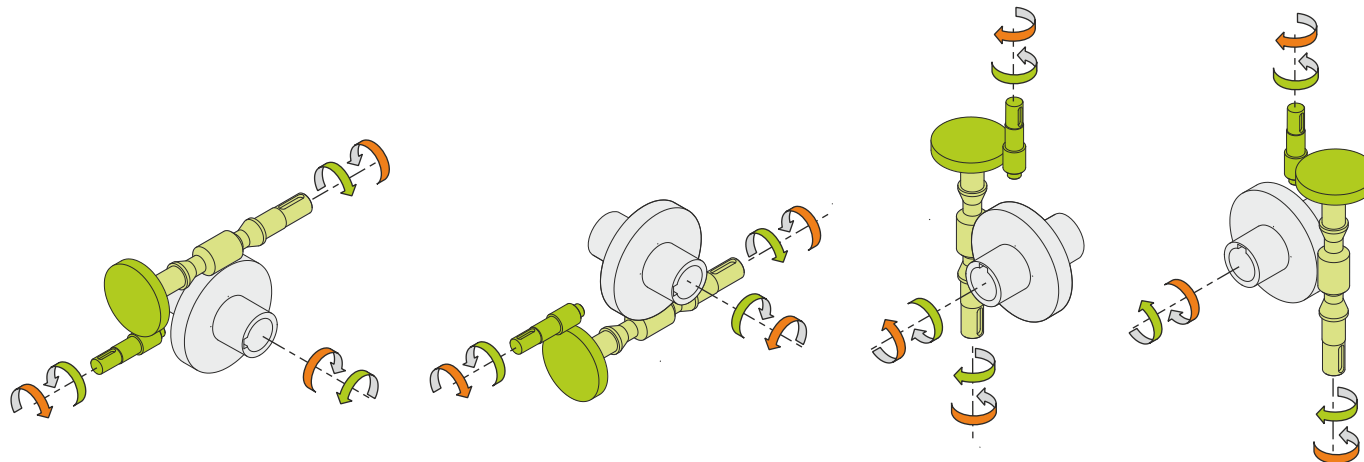


	0.05	1
	0.35	2



Lubricant type: Long life synthetic oil ISO VG320

Direction of rotation



Weight

Gear unit [kg]	11.8
Electric motor [kg]	6.2

Gearing data

Axial module	2.8
Number of starts	1
Lead angle	5° 42'
Pressure angle	20°

Backdriving

Static self-locking
Slow back-driving in case of vibrations
Low dynamic back-driving

M RA 71/70 PC 10 256 71 B14 AC 28 MT 0.37 kW 71 B4 B14 X3 B3