

Input data

System of measurement		Metric
Input type		Gear motor
Input speed	[rpm]	1400
Output speed	[rpm]	31.25
Ratio (i=)		44.8
Frequency	[Hz]	50
Input options		IEC
Requested input power	[kW]	1.5
Service factor		1.3
Rated Power P1	[kW]	2

Output data

Gear unit	M RA 80/85 PC 10 44.8 90 B14 AC 32 MT 1.5 kW 90 L4 B14 X3 B3
------------------	---

Type		RA - Worm speed reducers
Input type		M
Size		80/85
Ratio (i=)		44.8
Gearbox ratio		7.00
Pre-stage ratio		6.40
Input flange		B14
Mounting position		B3
Input speed	[rpm]	1400
Output speed	[rpm]	31.25
Rated output torque	[Nm]	366.72
Service Factor		1.3
Efficiency		0.8
Inertia moment	[kgm ²]	0.000268

Gear unit configuration

Output shaft		Hollow output shaft
Fixing		Shaft mounting
Version		PC
Attachment position		10

Output radial and axial loads

Ball bearings output radial load	[N]	5950
Taper bearings output radial load	[N]	7900
Ball bearings output axial load	[N]	1190
Taper bearings output axial load	[N]	1580

Accessories

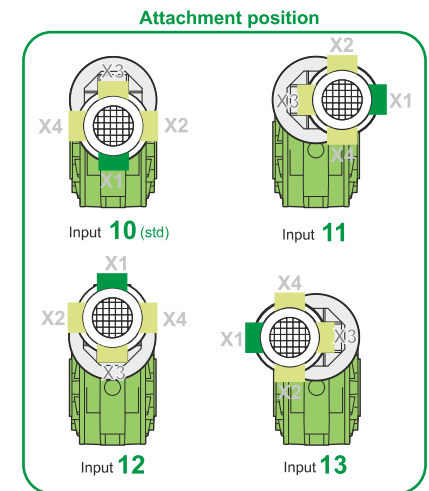
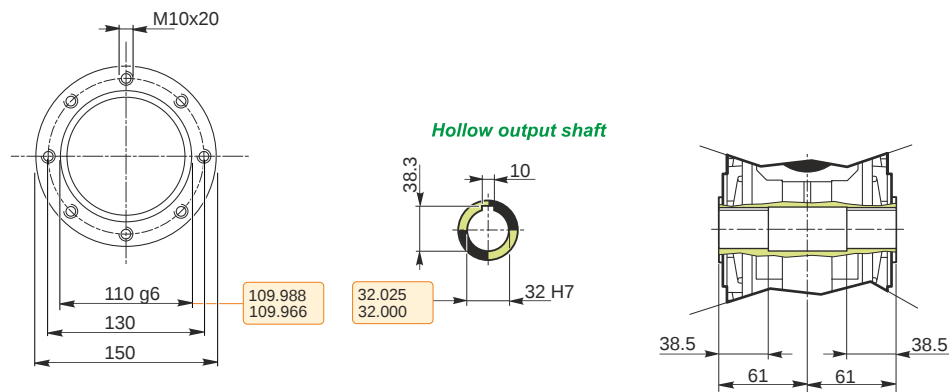
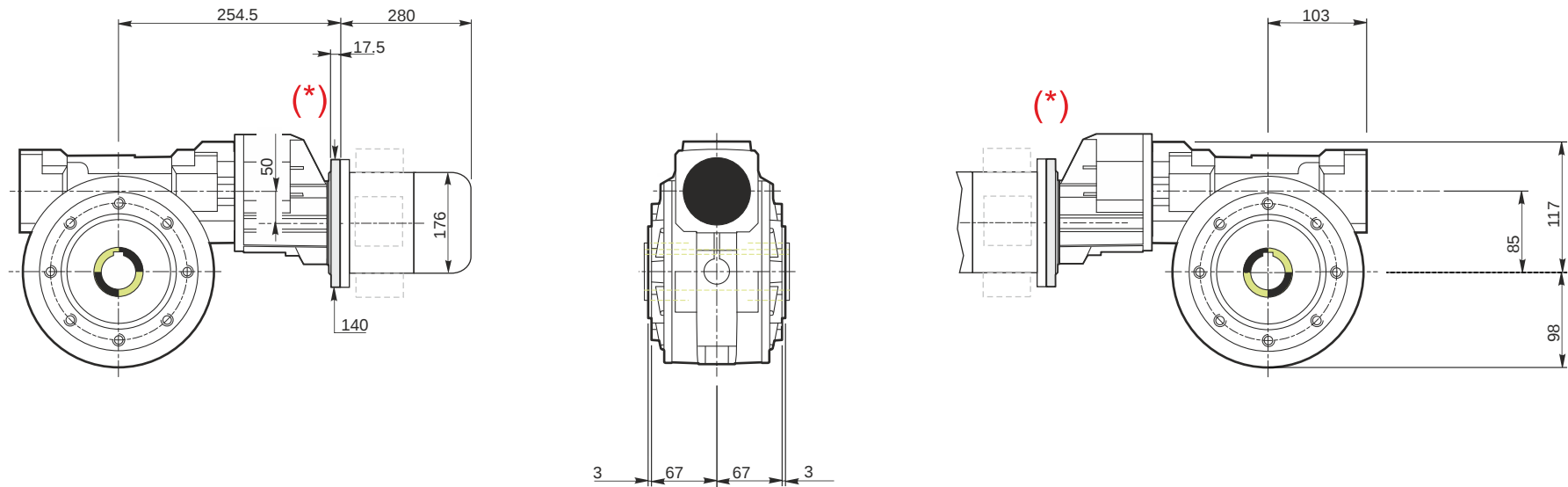
Hollow output shaft		AC 32
---------------------	--	-------

Electric motor

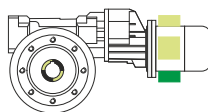
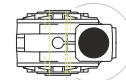
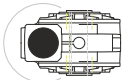
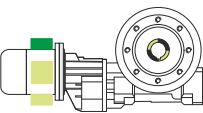
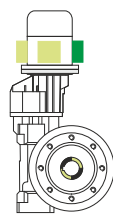

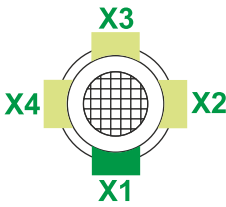
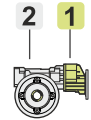
Size		90 L4
Poles		4
Power	[kW]	1.5

Electric motor configuration

Motor flange		B14
Terminal box position		X3

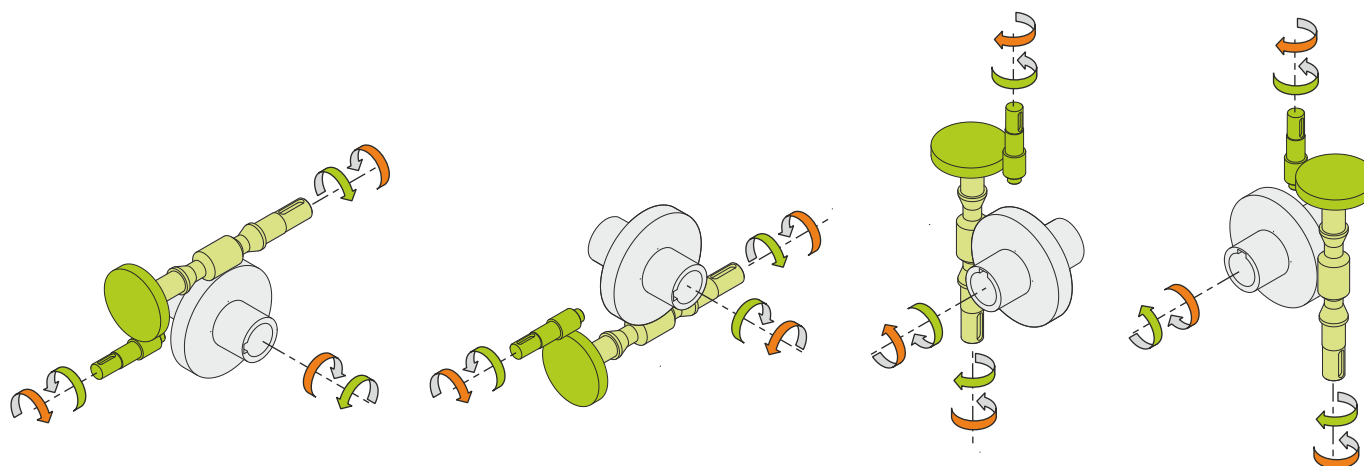


Mounting positions

B3	B6	B7	B8	V5	V6	Terminal box position
						
			0.1	1		
			0.6	2		
						← Oil quantity [litres]

Lubricant type: Long life synthetic oil ISO VG320

Direction of rotation



Weight

Gear unit [kg]	17.5
Electric motor [kg]	13.5

Gearing data

Axial module	4.7
Number of starts	4
Lead angle	26° 05'
Pressure angle	20°

Backdriving

Static back-driving
Quick back-driving
Dynamic back-driving