

Input data

System of measurement		Metric
Input type		Gear motor
Input speed	[rpm]	1400
Output speed	[rpm]	5.62
Ratio (i=)		249.2
Frequency	[Hz]	50
Input options		IEC
Requested input power	[kW]	1.5
Service factor		0.8
Rated Power P1	[kW]	1.15

Output data

Gear unit M RA 100/110 PC 10 249.2 90 B14 AC 42 MT 1.5 kW 90 L4 B14 X3 B3

Type		RA - Worm speed reducers
Input type		M
Size		100/110
Ratio (i=)		249.2
Gearbox ratio		40.00
Pre-stage ratio		6.23
Input flange		B14
Mounting position		B3
Input speed	[rpm]	1400
Output speed	[rpm]	5.62
Rated output torque	[Nm]	1453.41
Service Factor		0.8
Efficiency		0.57

Gear unit configuration

Output shaft		Hollow output shaft
Fixing		Shaft mounting
Version		PC
Attachment position		10

Output radial and axial loads

Ball bearings output radial load	[N]	9800
Taper bearings output radial load	[N]	11100
Ball bearings output axial load	[N]	1960
Taper bearings output axial load	[N]	2220

Accessories

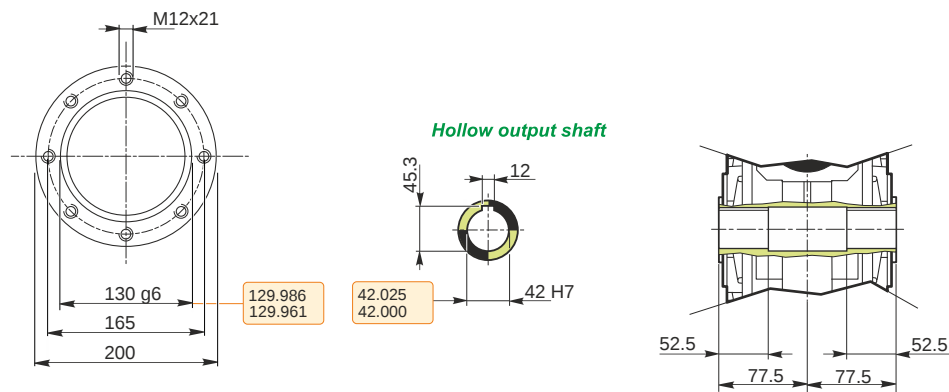
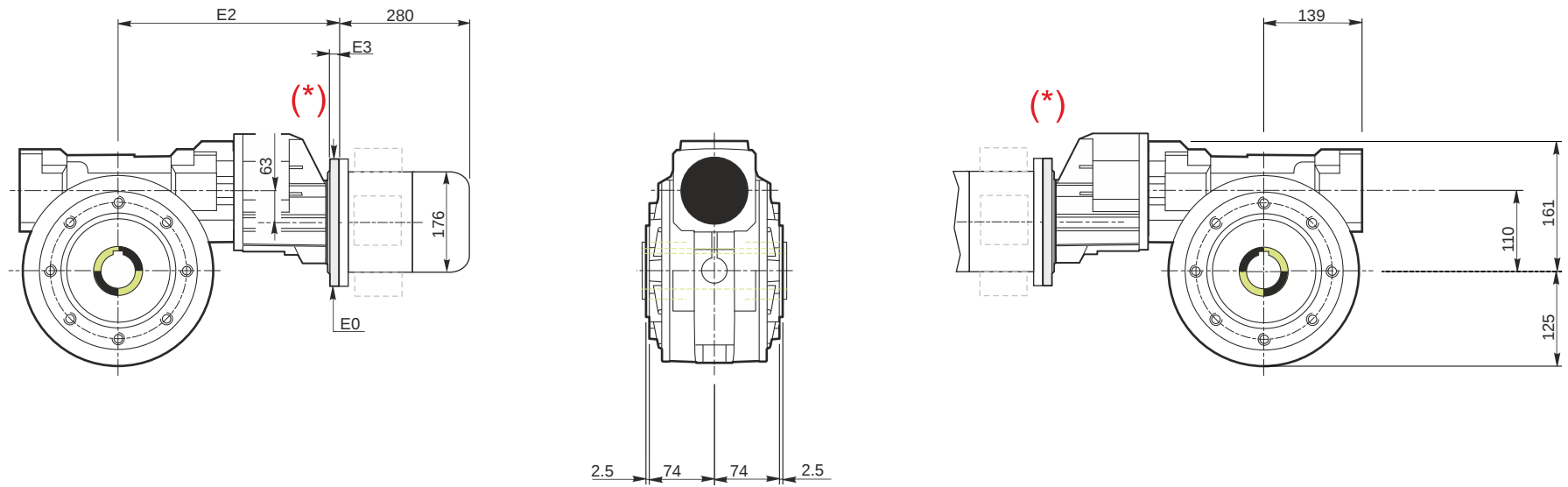
Hollow output shaft		AC 42
---------------------	--	-------

Electric motor

Size		90 L4
Poles		4
Power	[kW]	1.5

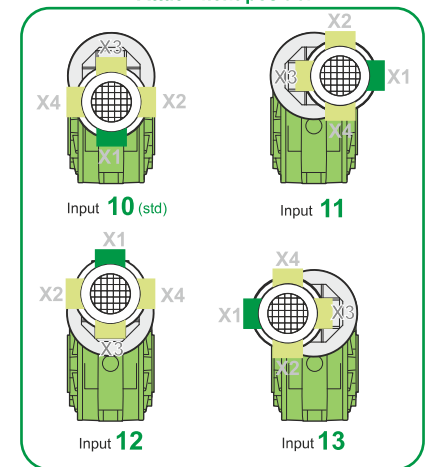
Electric motor configuration

Motor flange		B14
Terminal box position		X3



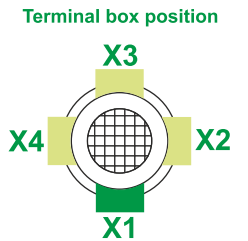
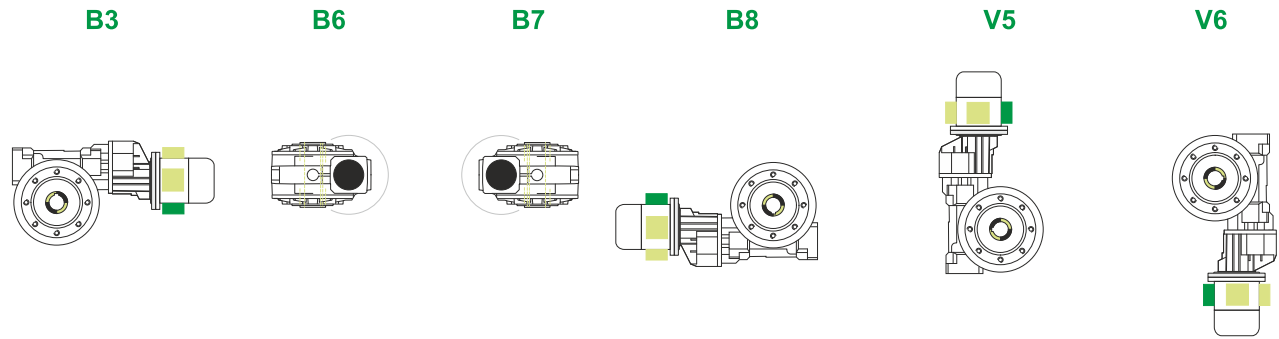
Hollow output shaft

Attachment position



M RA 100/110 PC 10 249.2 90 B14 AC 42 MT 1.5 kW 90 L4 B14 X3 B3

Mounting positions

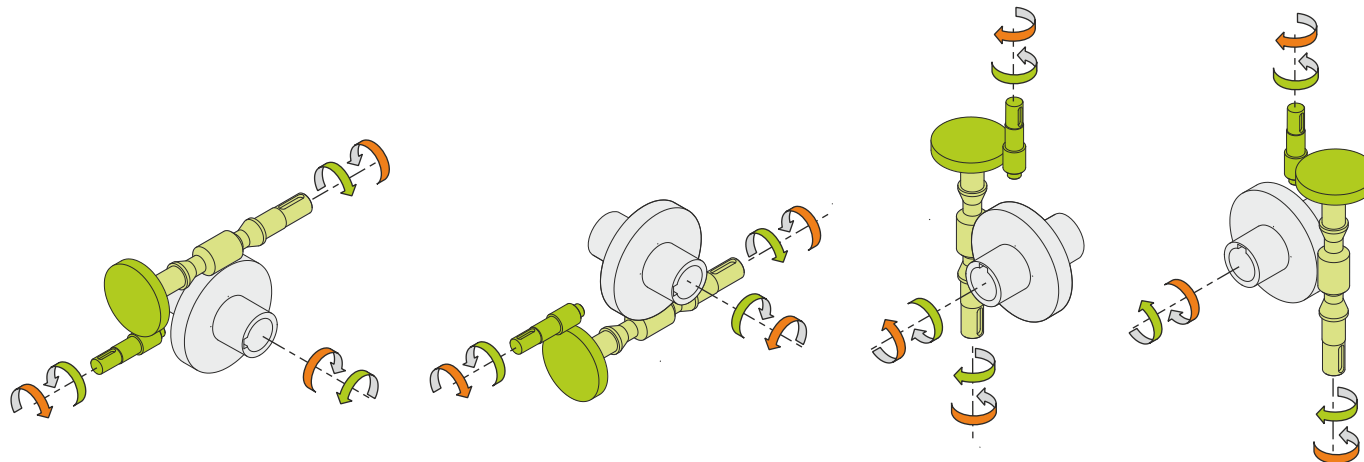


0.2	1
1.5	2



Lubricant type: Long life synthetic oil ISO VG320

Direction of rotation



Weight

Gear unit [kg]	46
Electric motor [kg]	13.5

Gearing data

Axial module	4.4
Number of starts	1
Lead angle	5° 42'
Pressure angle	20°

Backdriving

Static self-locking
Slow back-driving in case of vibrations
Low dynamic back-driving

M RA 100/110 PC 10 249.2 90 B14 AC 42 MT 1.5 kW 90 L4 B14 X3 B3