

Input data

System of measurement		Metric
Input type		Gear motor
Input speed	[rpm]	1400
Output speed	[rpm]	3.21
Ratio (i=)		436.1
Frequency	[Hz]	50
Input options		IEC
Requested input power	[kW]	1.1
Service factor		0.9
Rated Power P1	[kW]	1.03

Output data

Gear unit **M RA 100/130 PC 10 436.1 90 B14 AC 48 MT 1.1 kW 90 S4 B14 X3 B3**

Type		RA - Worm speed reducers
Input type		M
Size		100/130
Ratio (i=)		436.1
Gearbox ratio		70.00
Pre-stage ratio		6.23
Input flange		B14
Mounting position		B3
Input speed	[rpm]	1400
Output speed	[rpm]	3.21
Rated output torque	[Nm]	1701.6
Service Factor		0.9
Efficiency		0.52

Gear unit configuration

Output shaft		Hollow output shaft
Fixing		Shaft mounting
Version		PC
Attachment position		10

Output radial and axial loads

Ball bearings output radial load	[N]	11500
Taper bearings output radial load	[N]	14500
Ball bearings output axial load	[N]	2300
Taper bearings output axial load	[N]	2900

Accessories

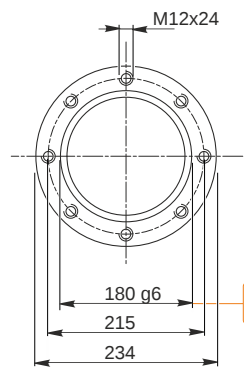
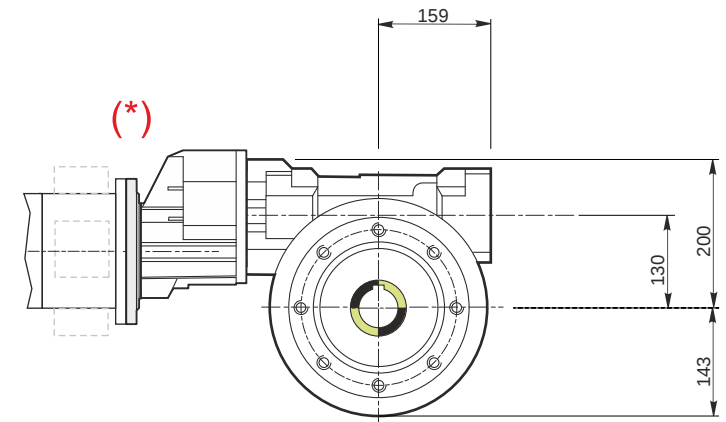
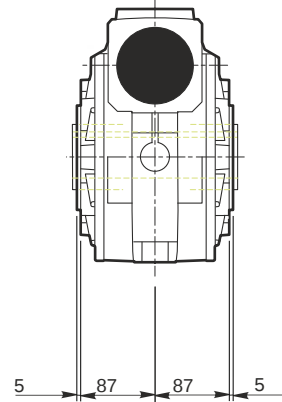
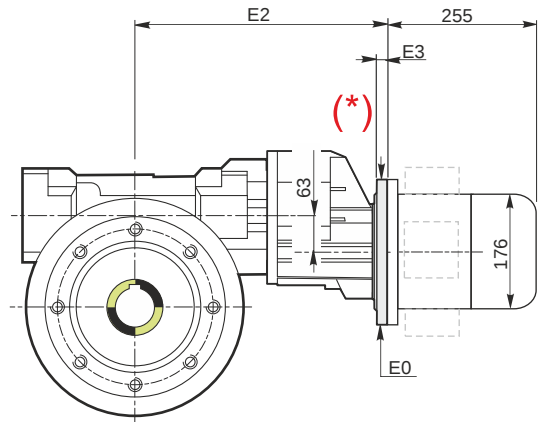
Hollow output shaft		AC 48
---------------------	--	-------

Electric motor

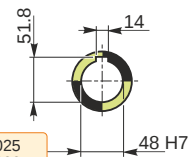
Size		90 S4
Poles		4
Power	[kW]	1.1

Electric motor configuration

Motor flange		B14
Terminal box position		X3

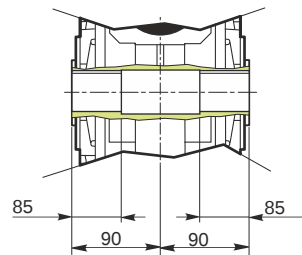


Hollow output shaft

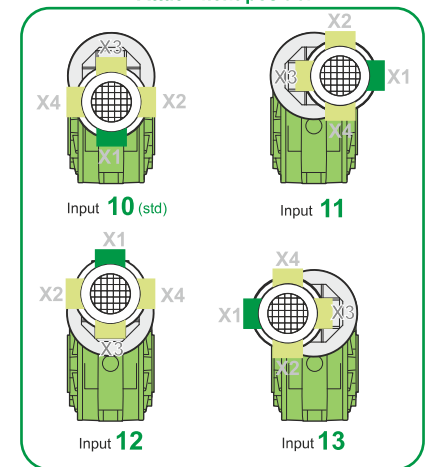


179.986
179.961

48.025
48.000

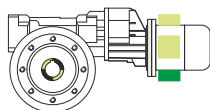


Attachment position

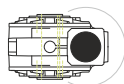


Mounting positions

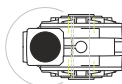
B3



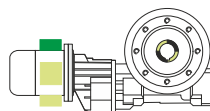
B6



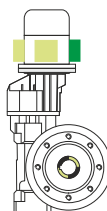
B7



B8



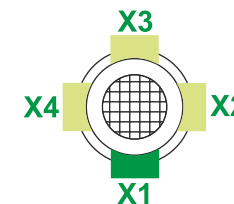
V5



V6



Terminal box position

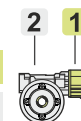


0.2

1

2.75

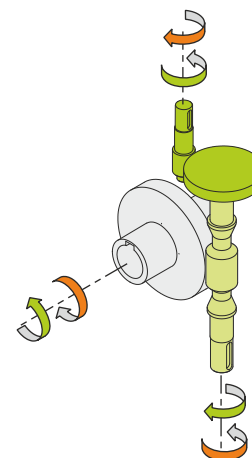
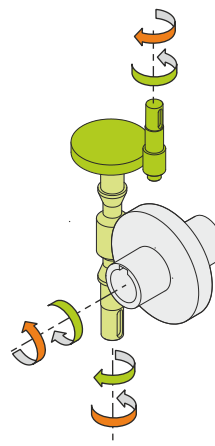
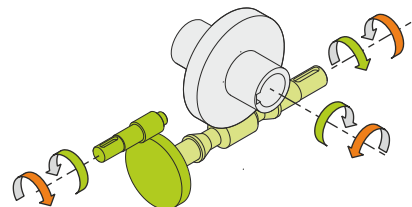
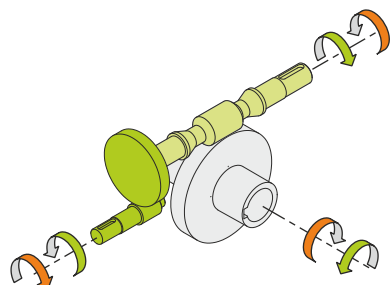
2



Oil quantity [litres]

Lubricant type: Long life synthetic oil ISO VG320

Direction of rotation



Weight

Gear unit [kg]	64
Electric motor [kg]	12

Gearing data

Axial module	3.15
Number of starts	1
Lead angle	4° 33'
Pressure angle	20°

Backdriving

Static self-locking
Slow back-driving in case of vibrations
Low dynamic back-driving