

Input data

System of measurement		Metric
Input type		Gear motor
Input speed	[rpm]	1400
Output speed	[rpm]	135.14
Ratio (i=)		10.36
Frequency	[Hz]	50
Input options		IEC
Requested input power	[kW]	0.75
Service factor		1
Rated Power P1	[kW]	0.74

Output data

Gear unit	M RD 02 B3 H1 10.36 80 B14 AU 20x40 MT 0.75 kW 80 B4 B14 X3
------------------	--

Type		RD - Helical gearboxes
Input type		M
Size		02
Ratio (i=)		10.36
Input flange		B14
Mounting position		H1
Input speed	[rpm]	1400
Output speed	[rpm]	135.14
Rated output torque	[Nm]	50.88
Service Factor		1
Efficiency		0.96
Inertia moment	[kgm ²]	0.000035

Gear unit configuration

Fixing		Feet
Output shaft		AU 20x40

Output radial and axial loads

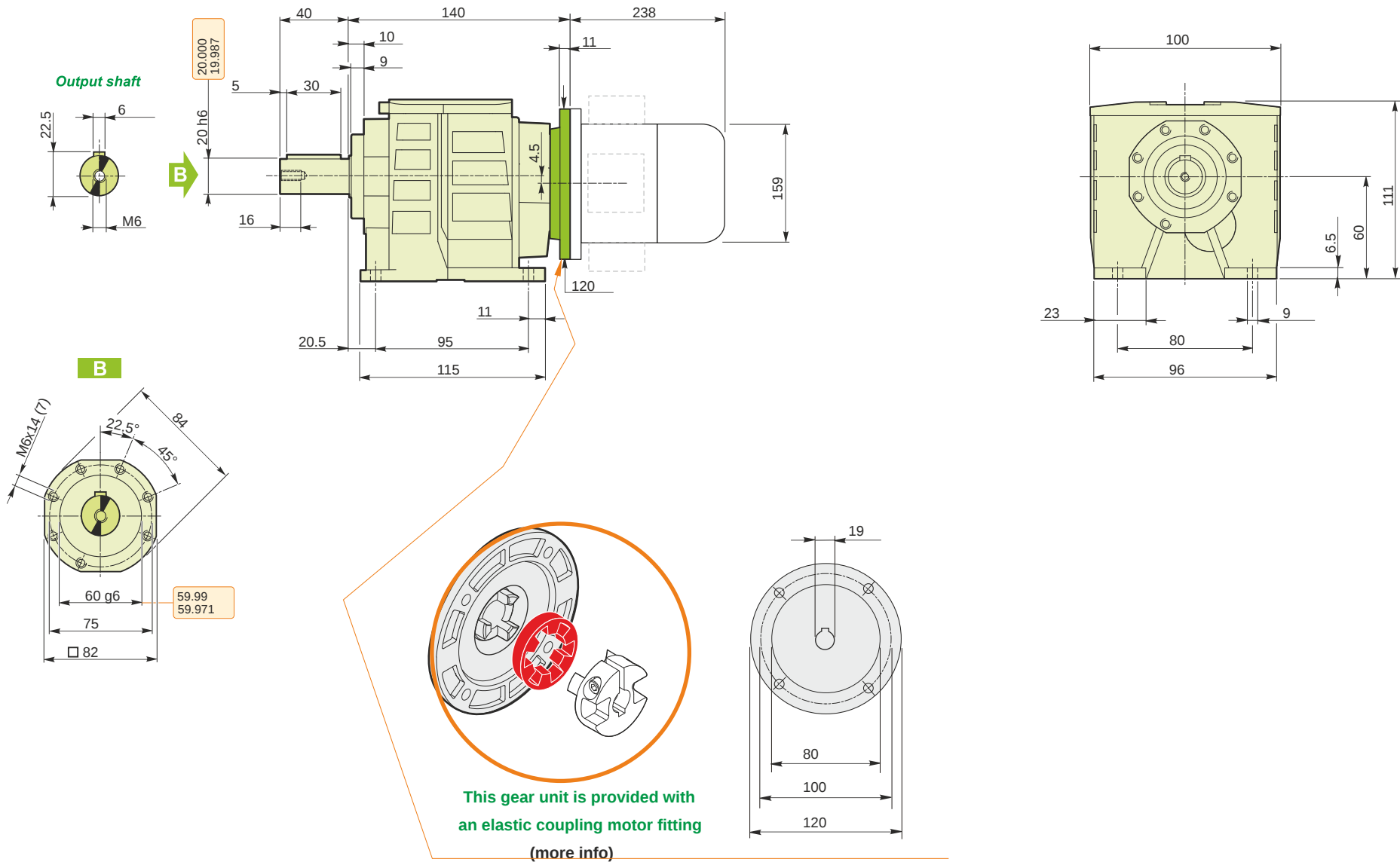
Output radial load	[N]	820
Output axial load	[N]	164

Electric motor

Size		80 B4
Poles		4
Power	[kW]	0.75

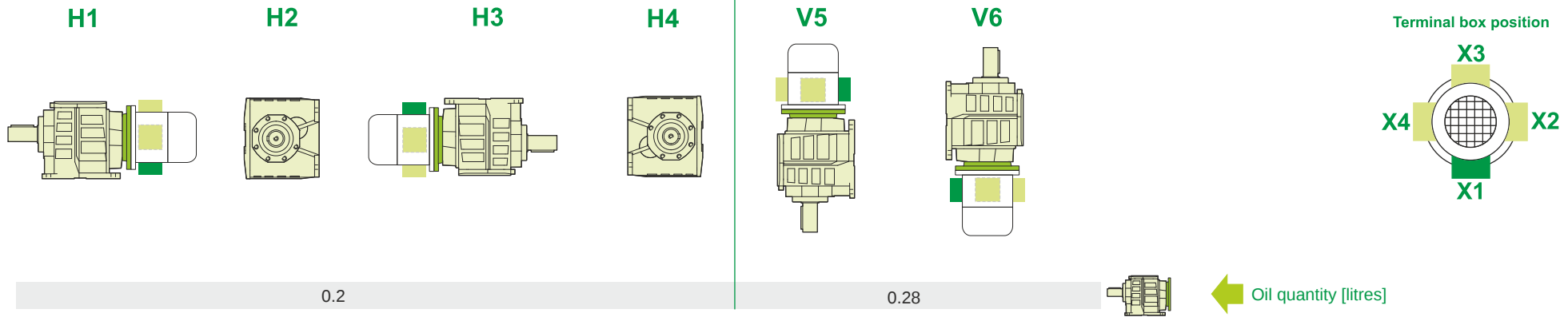
Electric motor configuration

Motor flange		B14
Terminal box position		X3



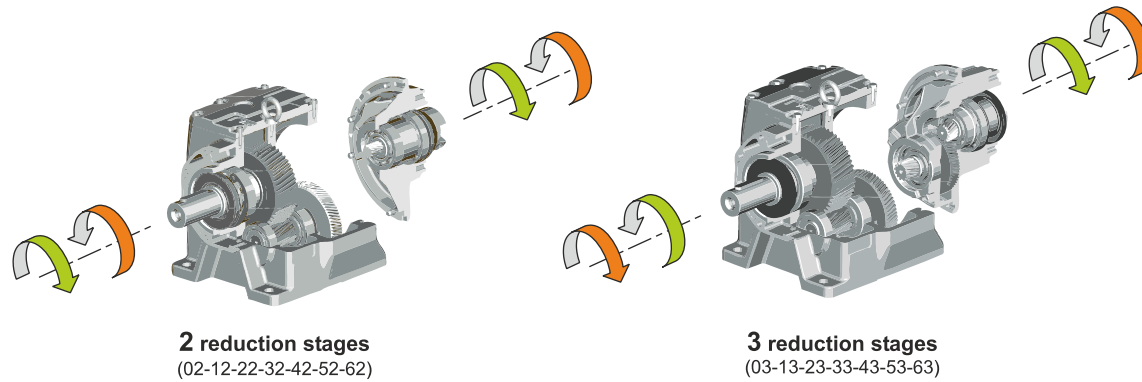
M RD 02 B3 H1 10.36 80 B14 AU 20x40 MT 0.75 kW 80 B4 B14 X3

Mounting positions



Lubricant type: Long life synthetic oil ISO VG320

Direction of rotation



Weight

Gear unit [kg]	3
Electric motor [kg]	9.8

M RD 02 B3 H1 10.36 80 B14 AU 20x40 MT 0.75 kW 80 B4 B14 X3