

Input data

System of measurement		Metric
Input type		Gear motor
Input speed	[rpm]	1400
Output speed	[rpm]	22.9
Ratio (i=)		61.14
Frequency	[Hz]	50
Input options		IEC
Requested input power	[kW]	0.13
Service factor		1
Rated Power P1	[kW]	0.13

Output data

Gear unit **M RD 03 B3 H1 61.14 63 B14 AU 20x40 MT 0.13 kW 63 A4 B14 X3**

Type		RD - Helical gearboxes
Input type		M
Size		03
Ratio (i=)		61.14
Input flange		B14
Mounting position		H1
Input speed	[rpm]	1400
Output speed	[rpm]	22.9
Rated output torque	[Nm]	50.96
Service Factor		1
Efficiency		0.94
Inertia moment	[kgm ²]	0.000063

Gear unit configuration

Fixing		Feet
Output shaft		AU 20x40

Output radial and axial loads

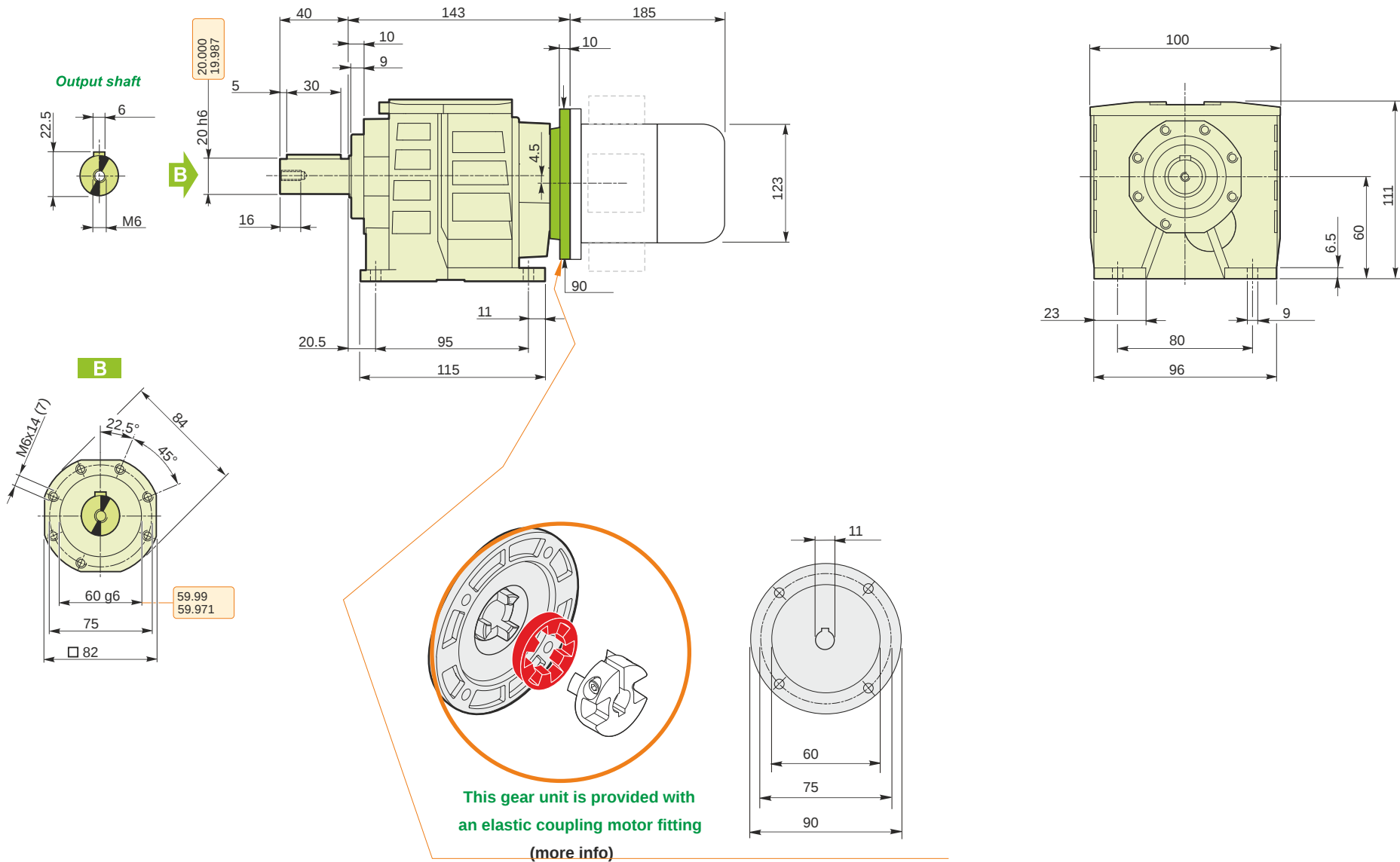
Output radial load	[N]	1200
Output axial load	[N]	240

Electric motor

Size		63 A4
Poles		4
Power	[kW]	0.13

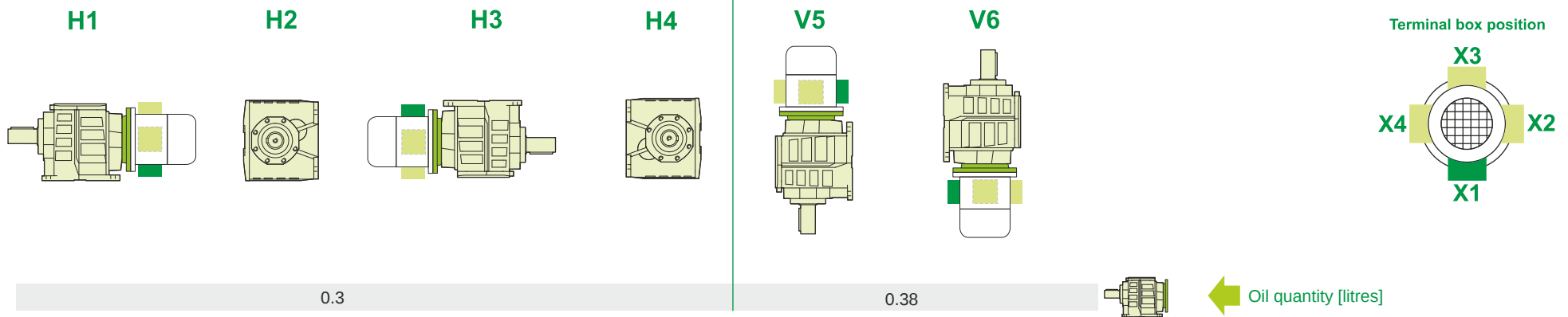
Electric motor configuration

Motor flange		B14
Terminal box position		X3



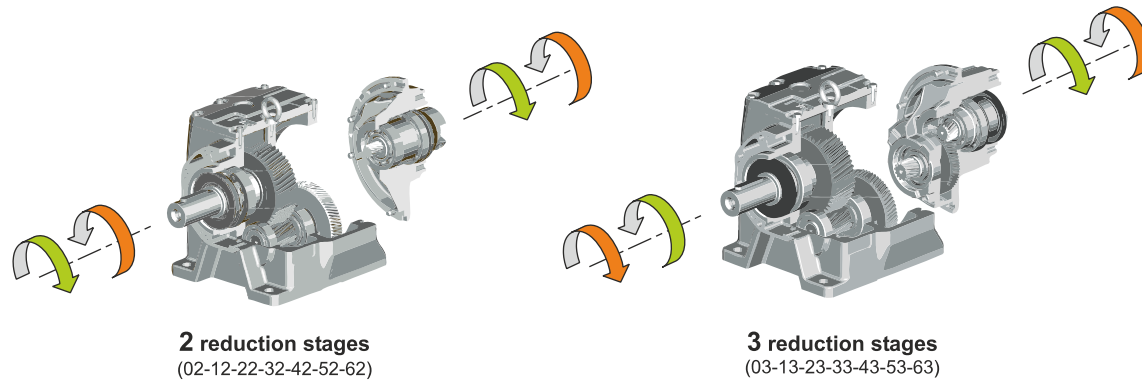
M RD 03 B3 H1 61.14 63 B14 AU 20x40 MT 0.13 kW 63 A4 B14 X3

Mounting positions



Lubricant type: Long life synthetic oil ISO VG320

Direction of rotation



Weight

Gear unit [kg]	3.2
Electric motor [kg]	4.3

M RD 03 B3 H1 61.14 63 B14 AU 20x40 MT 0.13 kW 63 A4 B14 X3