

Input data

System of measurement		Metric	
Input type		Gear motor	
Input speed	[rpm]	1400	
Output speed	[rpm]	6.84	
Ratio (i=)		204.58	
Frequency	[Hz]	50	
Input options		IEC	
Requested input power	[kW]	0.06	
Service factor		0.5	Warning! The torque generated by the selected motor is above the gearbox rated output torque; please refer to the gearbox rated output torque.
Rated Power P1	[kW]	0.03	

Output data

Gear unit **M RD 03 B3 H1 204.58 56 B14 AU 20x40 MT 0.06 kW 56 A4 B14 X3**

Type		RD - Helical gearboxes
Input type		M
Size		03
Ratio (i=)		204.58
Input flange		B14
Mounting position		H1
Input speed	[rpm]	1400
Output speed	[rpm]	6.84
Rated output torque	[Nm]	36
Service Factor		0.5
Efficiency		0.94
Inertia moment	[kgm ²]	0.000063

Gear unit configuration

Fixing		Feet
Output shaft		AU 20x40

Output radial and axial loads

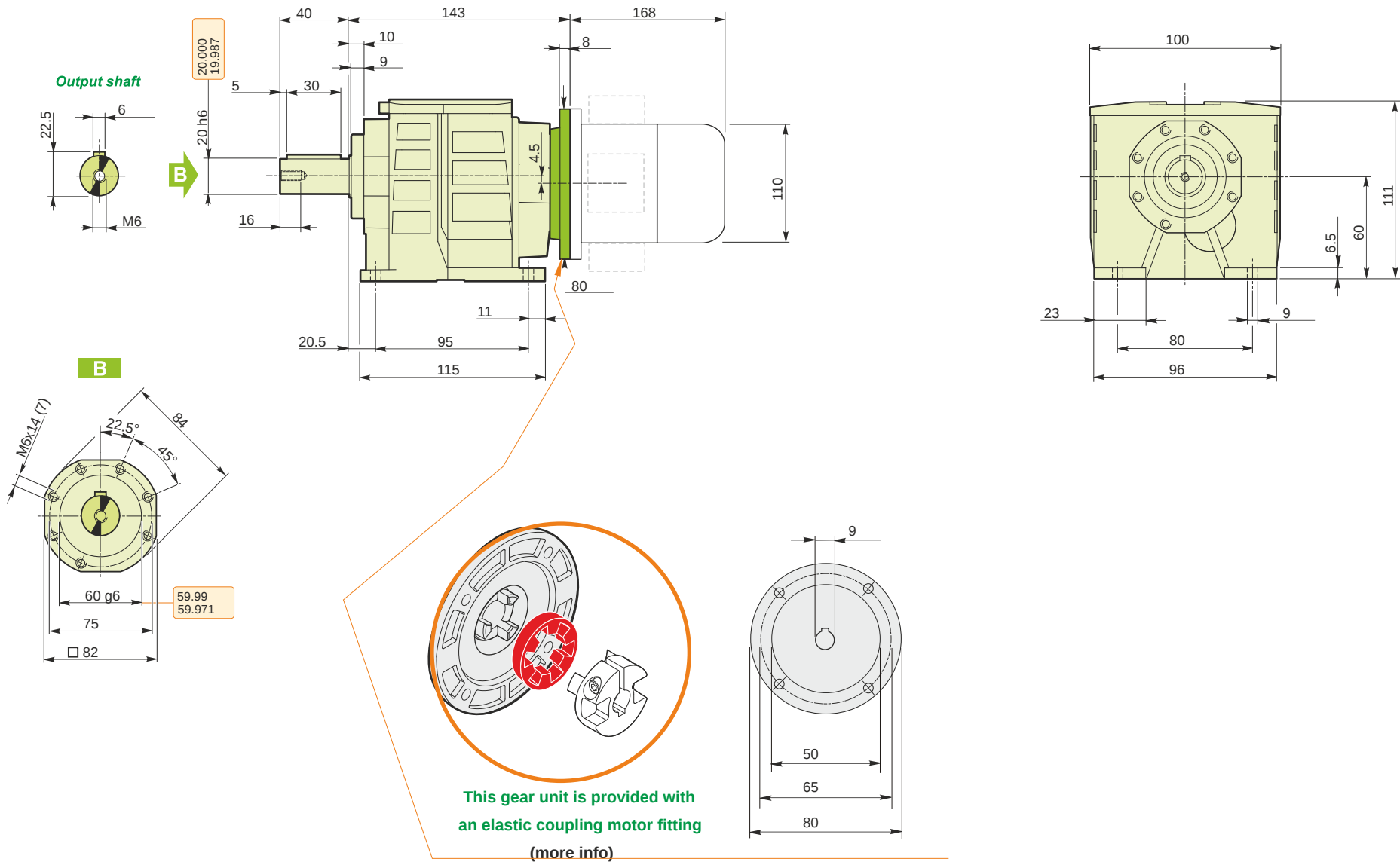
Output radial load	[N]	1420
Output axial load	[N]	284

Electric motor

Size		56 A4
Poles		4
Power	[kW]	0.06

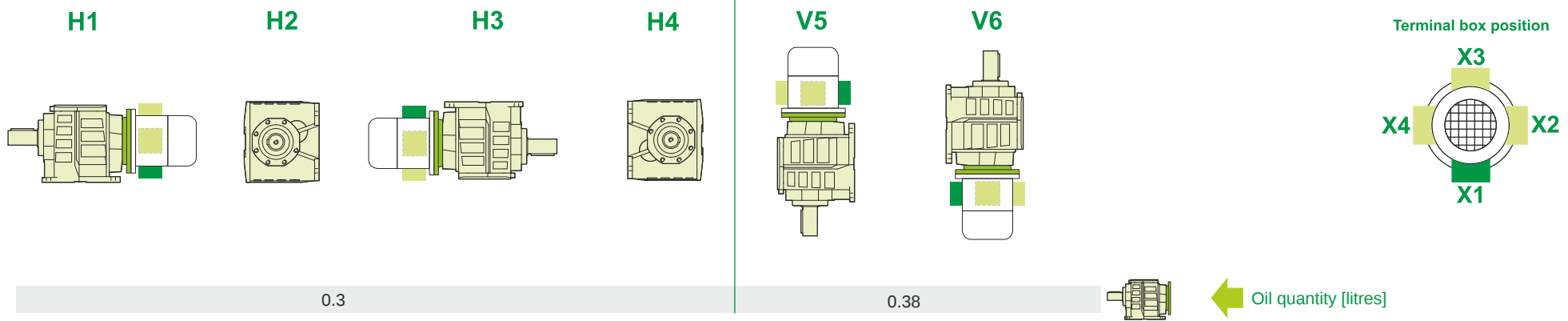
Electric motor configuration

Motor flange		B14
Terminal box position		X3



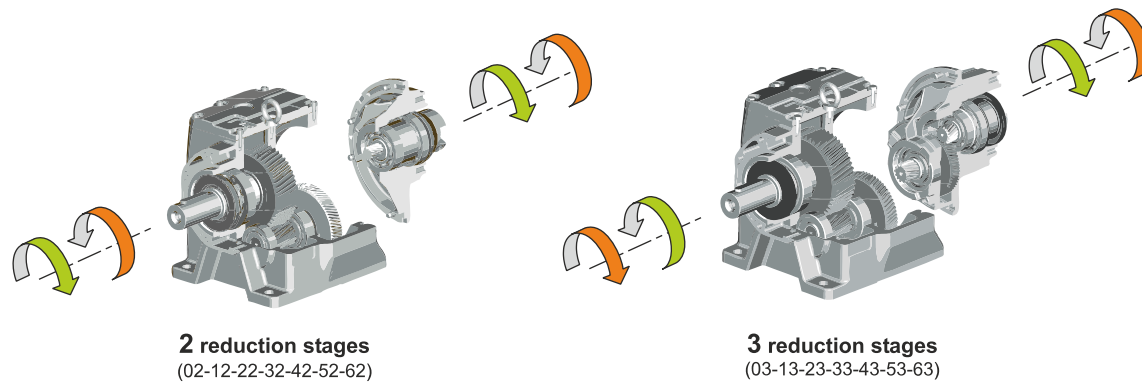
M RD 03 B3 H1 204.58 56 B14 AU 20x40 MT 0.06 kW 56 A4 B14 X3

Mounting positions



Lubricant type: Long life synthetic oil ISO VG320

Direction of rotation



Weight

Gear unit [kg]	3.2
Electric motor [kg]	2.6

M RD 03 B3 H1 204.58 56 B14 AU 20x40 MT 0.06 kW 56 A4 B14 X3