

Input data

System of measurement		Metric
Input type		Gear motor
Input speed	[rpm]	1400
Output speed	[rpm]	85.84
Ratio (i=)		16.31
Frequency	[Hz]	50
Input options		IEC
Requested input power	[kW]	0.75
Service factor		1.1
Rated Power P1	[kW]	0.84

Output data

Gear unit	M RD 12 B3 H1 16.31 80 B14 AU 20x40 MT 0.75 kW 80 B4 B14 X3
------------------	--

Type		RD - Helical gearboxes
Input type		M
Size		12
Ratio (i=)		16.31
Input flange		B14
Mounting position		H1
Input speed	[rpm]	1400
Output speed	[rpm]	85.84
Rated output torque	[Nm]	80.11
Service Factor		1.1
Efficiency		0.96
Inertia moment	[kgm ²]	0.000057

Gear unit configuration

Fixing		Feet
Output shaft		AU 20x40

Output radial and axial loads

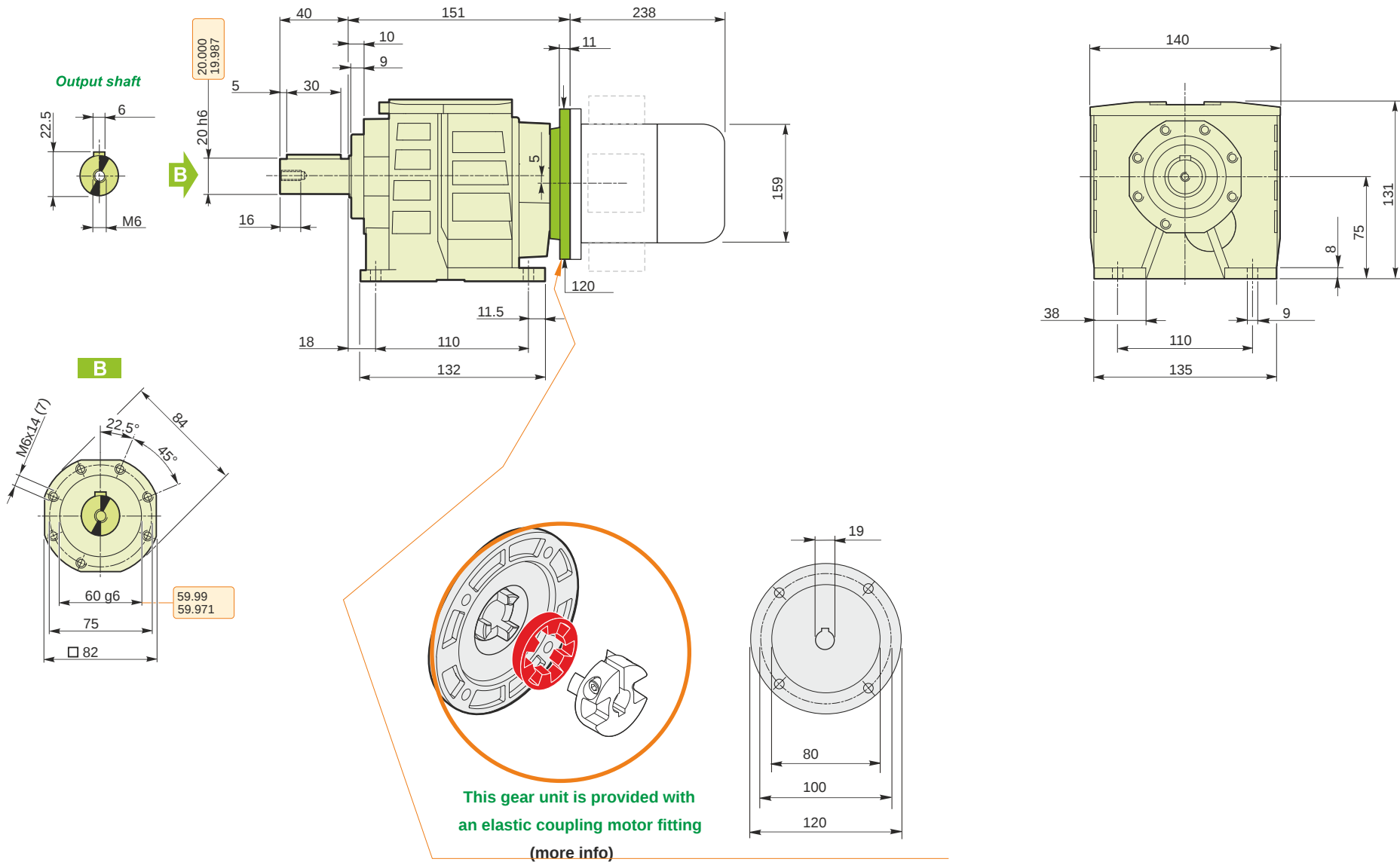
Output radial load	[N]	1900
Output axial load	[N]	380

Electric motor

Size		80 B4
Poles		4
Power	[kW]	0.75

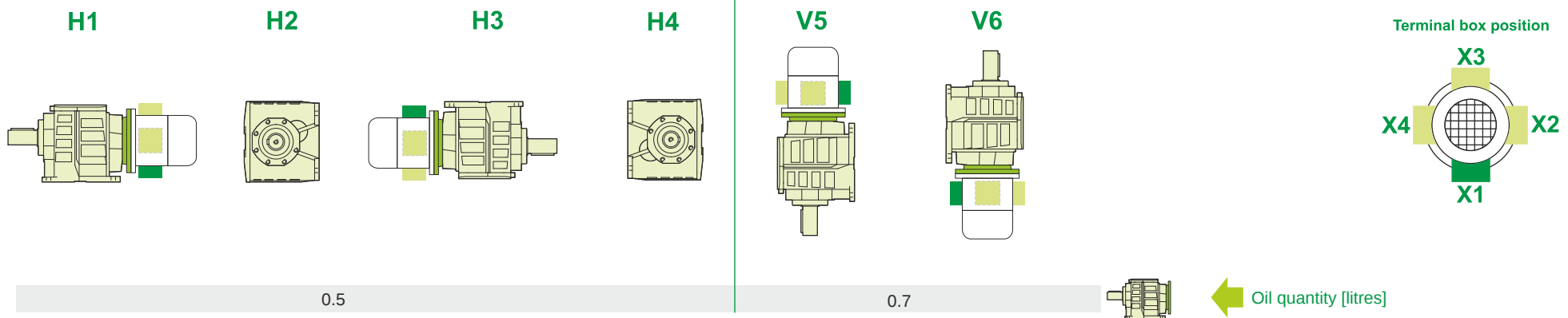
Electric motor configuration

Motor flange		B14
Terminal box position		X3



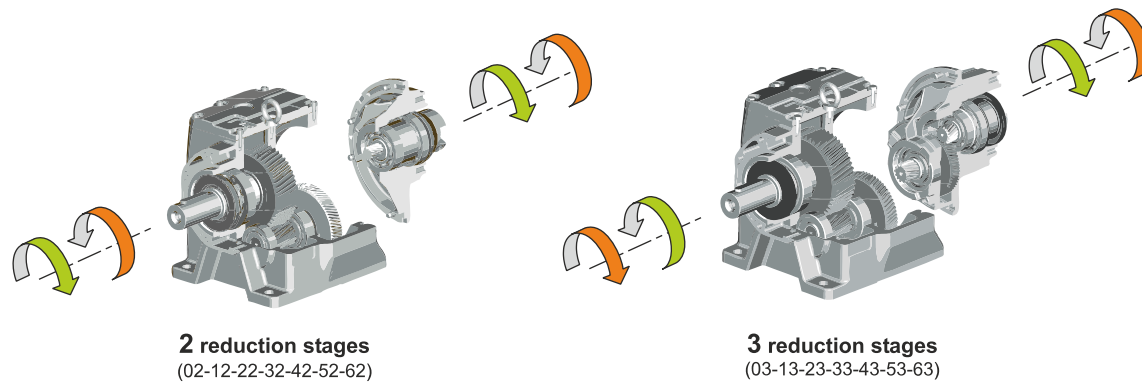
M RD 12 B3 H1 16.31 80 B14 AU 20x40 MT 0.75 kW 80 B4 B14 X3

Mounting positions



Lubricant type: Long life synthetic oil ISO VG320

Direction of rotation



Weight

Gear unit [kg]	4.8
Electric motor [kg]	9.8

M RD 12 B3 H1 16.31 80 B14 AU 20x40 MT 0.75 kW 80 B4 B14 X3