

Input data

System of measurement		Metric
Input type		Gear motor
Input speed	[rpm]	1400
Output speed	[rpm]	169.29
Ratio (i=)		8.27
Frequency	[Hz]	50
Input options		IEC
Requested input power	[kW]	3
Service factor		1.1
Rated Power P1	[kW]	3.32

Output data

Gear unit M RD 22 B3 H1 8.27 100 B14 AU 25x50 MT 3 kW 100 B4 B14 X3

Type		RD - Helical gearboxes
Input type		M
Size		22
Ratio (i=)		8.27
Input flange		B14
Mounting position		H1
Input speed	[rpm]	1400
Output speed	[rpm]	169.29
Rated output torque	[Nm]	162.47
Service Factor		1.1
Efficiency		0.96
Inertia moment	[kgm ²]	0.000242

Gear unit configuration

Fixing		Feet
Output shaft		AU 25x50

Output radial and axial loads

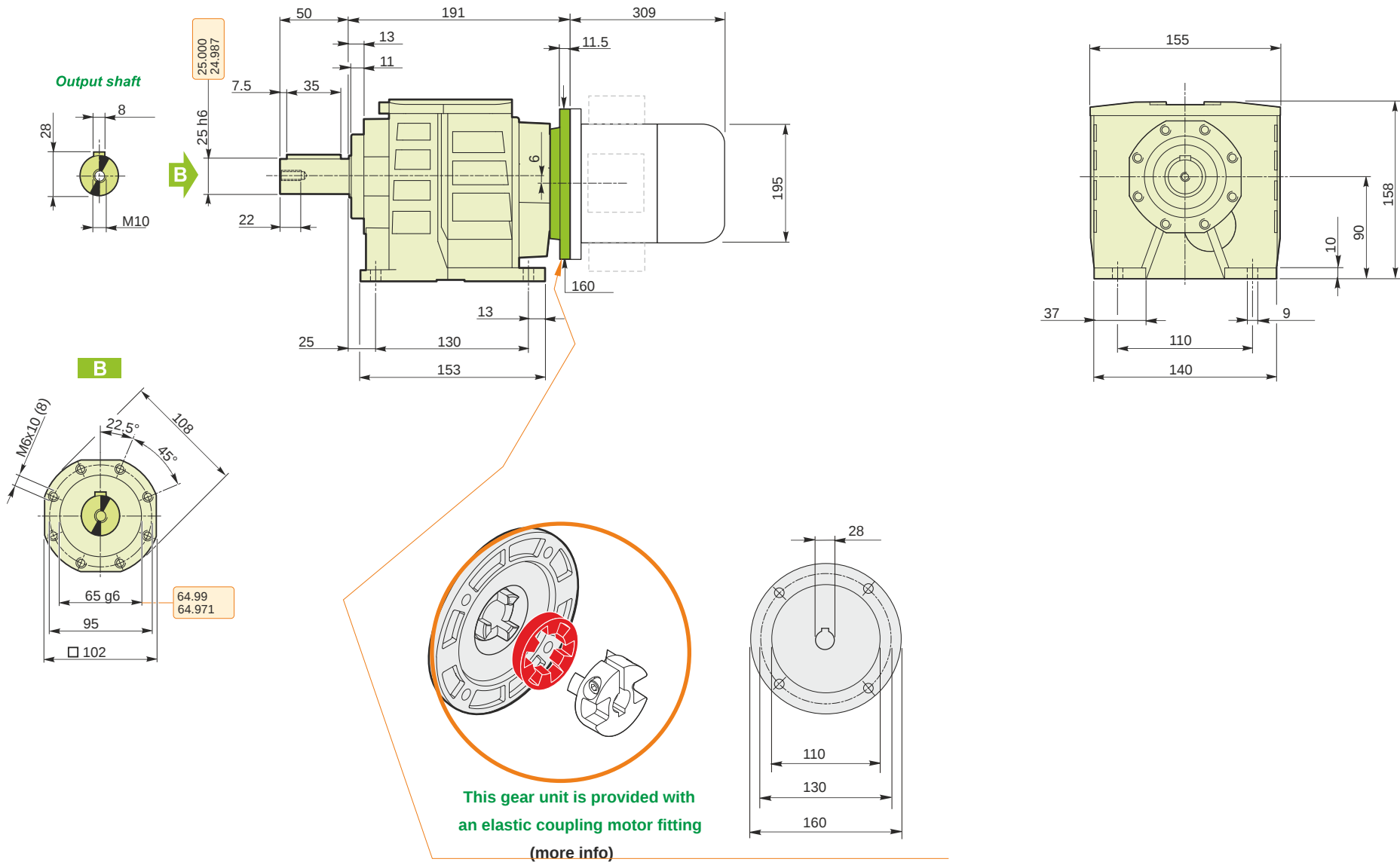
Output radial load	[N]	2000
Output axial load	[N]	400

Electric motor

Size		100 B4
Poles		4
Power	[kW]	3

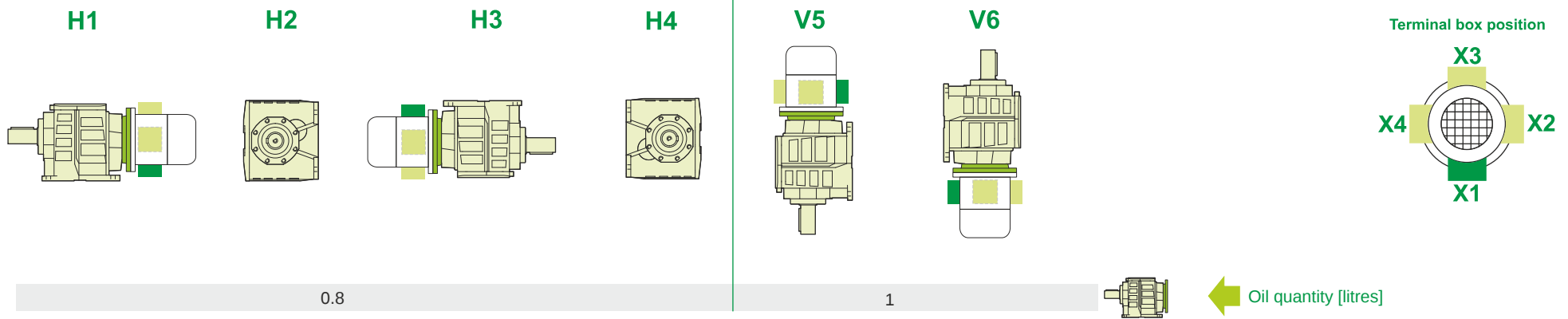
Electric motor configuration

Motor flange		B14
Terminal box position		X3



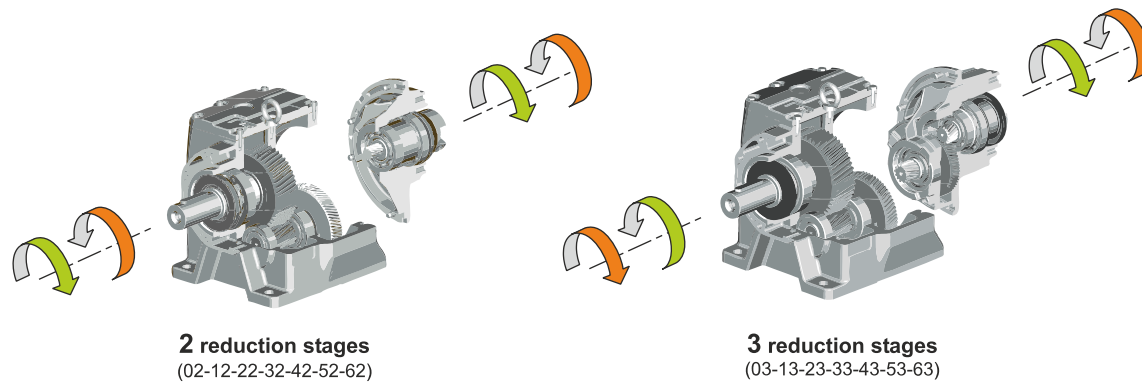
M RD 22 B3 H1 8.27 100 B14 AU 25x50 MT 3 kW 100 B4 B14 X3

Mounting positions



Lubricant type: Long life synthetic oil ISO VG320

Direction of rotation



Weight

Gear unit [kg]	7.9
Electric motor [kg]	21

M RD 22 B3 H1 8.27 100 B14 AU 25x50 MT 3 kW 100 B4 B14 X3