

Input data

System of measurement		Metric
Input type		Gear motor
Input speed	[rpm]	1400
Output speed	[rpm]	13.28
Ratio (i=)		105.43
Frequency	[Hz]	50
Input options		IEC
Requested input power	[kW]	0.37
Service factor		0.8
Rated Power P1	[kW]	0.3

Output data

Gear unit	M RD 23 B3 H1 105.43 71 B14 AU 30x60 MT 0.37 kW 71 B4 B14 X3	
------------------	---	--

Type		RD - Helical gearboxes
Input type		M
Size		23
Ratio (i=)		105.43
Input flange		B14
Mounting position		H1
Input speed	[rpm]	1400
Output speed	[rpm]	13.28
Rated output torque	[Nm]	250.13
Service Factor		0.8
Efficiency		0.94
Inertia moment	[kgm ²]	0.000252

Gear unit configuration

Fixing		Feet
Output shaft		AU 30x60

Output radial and axial loads

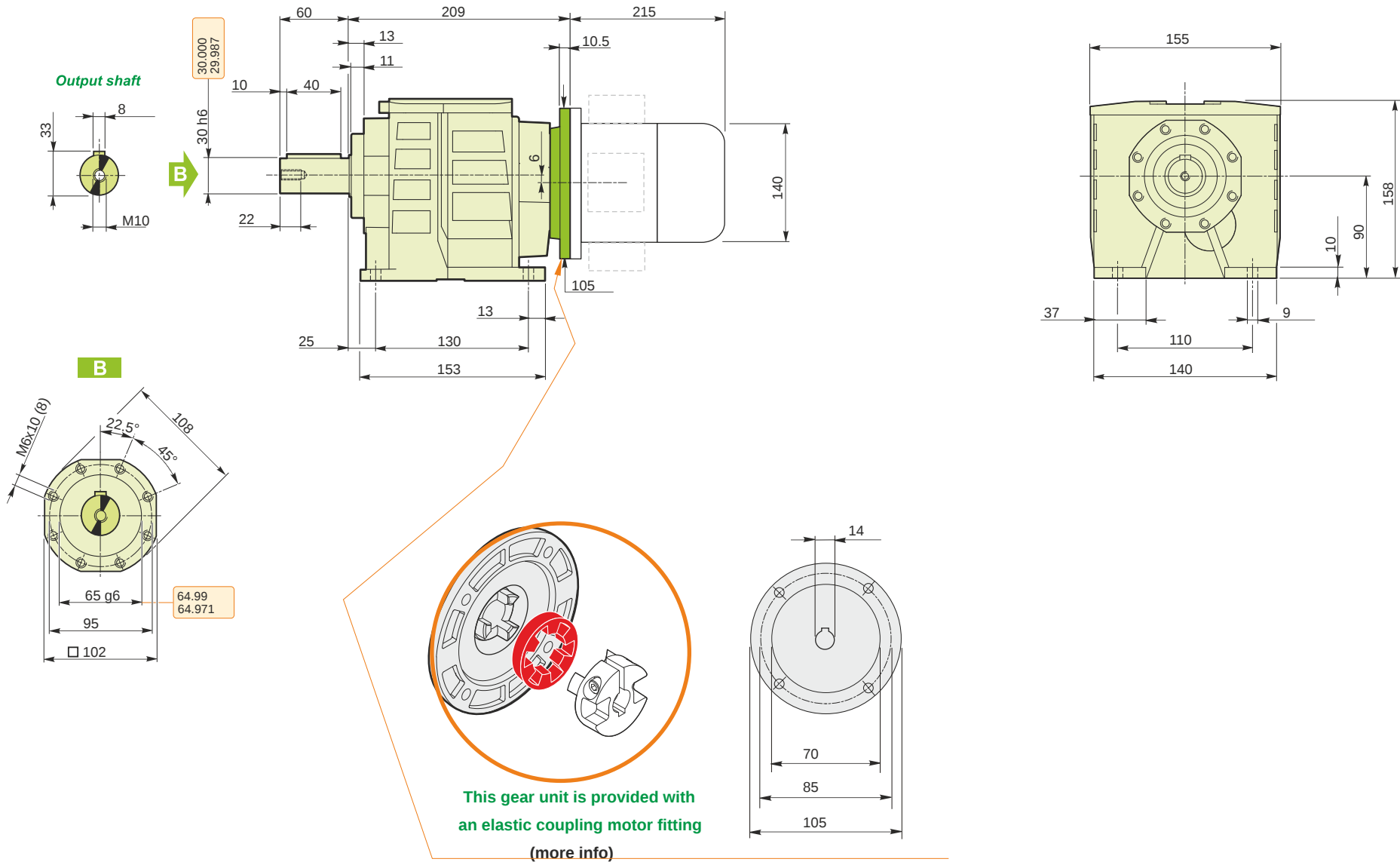
Output radial load	[N]	2700
Output axial load	[N]	540

Electric motor

Size		71 B4
Poles		4
Power	[kW]	0.37

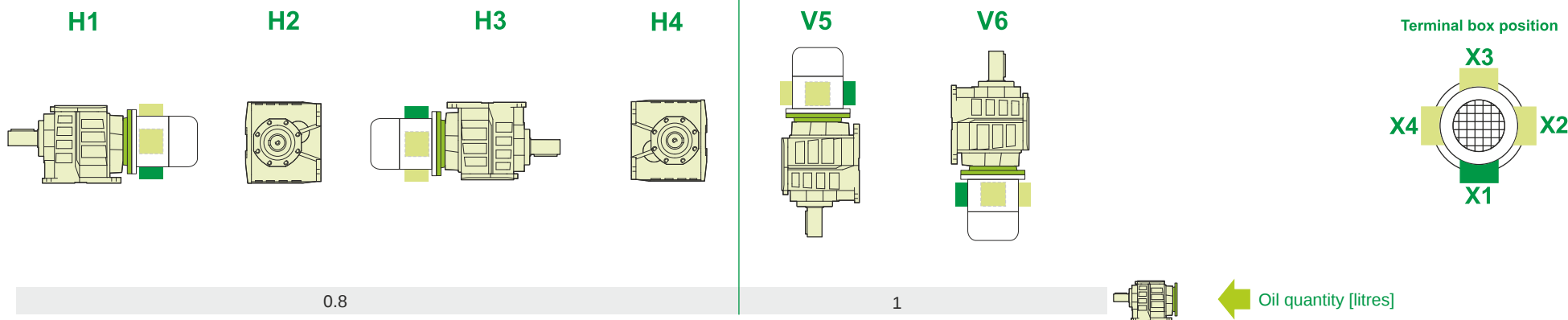
Electric motor configuration

Motor flange		B14
Terminal box position		X3



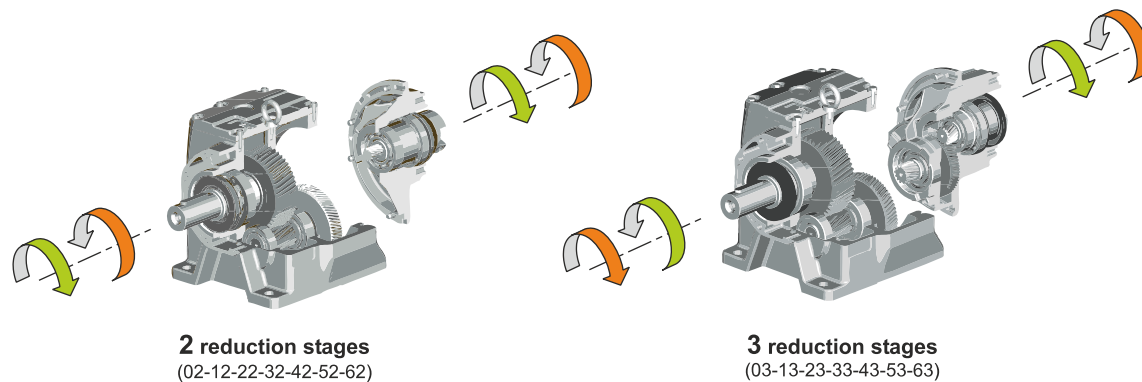
M RD 23 B3 H1 105.43 71 B14 AU 30x60 MT 0.37 kW 71 B4 B14 X3

Mounting positions



Lubricant type: Long life synthetic oil ISO VG320

Direction of rotation



Weight

Gear unit [kg]	8.5
Electric motor [kg]	6.2

M RD 23 B3 H1 105.43 71 B14 AU 30x60 MT 0.37 kW 71 B4 B14 X3