

Input data

System of measurement		Metric
Input type		Gear motor
Input speed	[rpm]	1400
Output speed	[rpm]	5.17
Ratio (i=)		270.63
Frequency	[Hz]	50
Input options		IEC
Requested input power	[kW]	0.13
Service factor		0.9
Rated Power P1	[kW]	0.12

Output data

Gear unit **M RD 23 B3 H1 270.63 63 B5 AU 30x60 MT 0.13 kW 63 A4 B5 X3**

Type		RD - Helical gearboxes
Input type		M
Size		23
Ratio (i=)		270.63
Input flange		B5
Mounting position		H1
Input speed	[rpm]	1400
Output speed	[rpm]	5.17
Rated output torque	[Nm]	225.59
Service Factor		0.9
Efficiency		0.94
Inertia moment	[kgm ²]	0.000308

Gear unit configuration

Fixing		Feet
Output shaft		AU 30x60

Output radial and axial loads

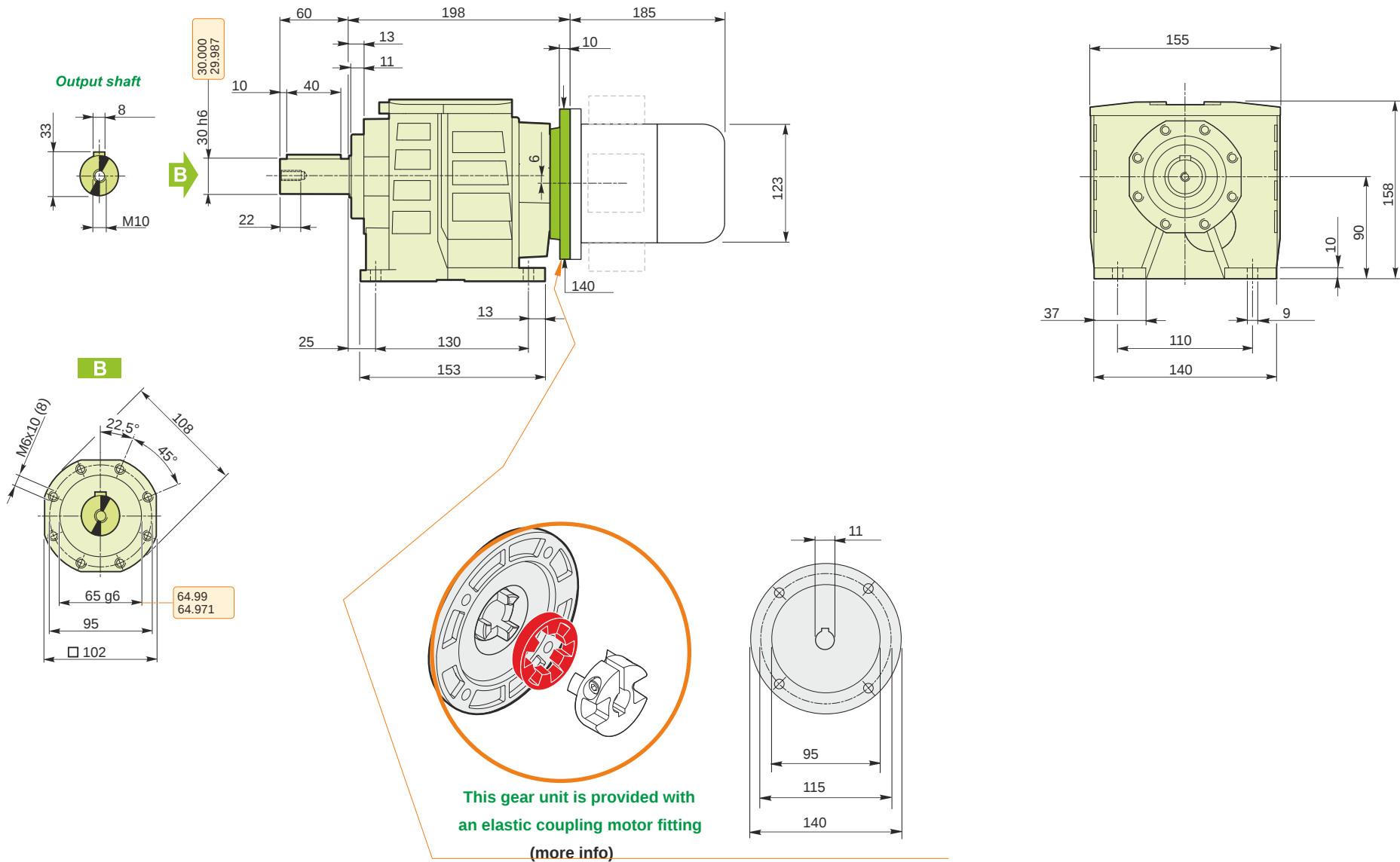
Output radial load	[N]	3200
Output axial load	[N]	640

Electric motor

Size		63 A4
Poles		4
Power	[kW]	0.13

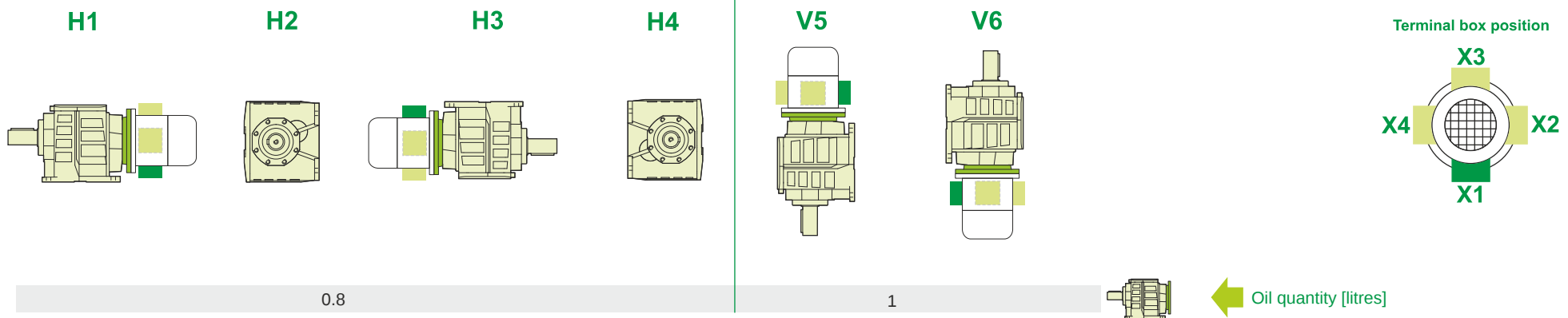
Electric motor configuration

Motor flange		B5
Terminal box position		X3



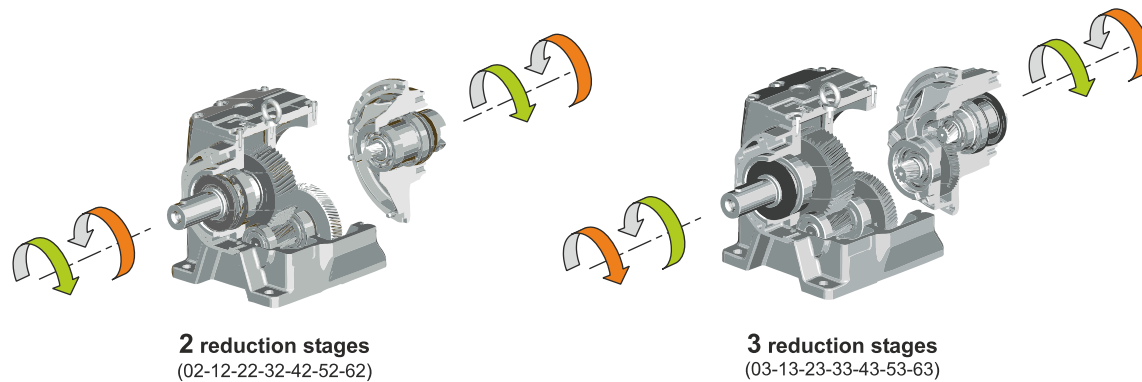
M RD 23 B3 H1 270.63 63 B5 AU 30x60 MT 0.13 kW 63 A4 B5 X3

Mounting positions



Lubricant type: Long life synthetic oil ISO VG320

Direction of rotation



Weight

Gear unit [kg]	8.5
Electric motor [kg]	4.3

M RD 23 B3 H1 270.63 63 B5 AU 30x60 MT 0.13 kW 63 A4 B5 X3