

### Input data

|                       |       |            |
|-----------------------|-------|------------|
| System of measurement |       | Metric     |
| Input type            |       | Gear motor |
| Input speed           | [rpm] | 1400       |
| Output speed          | [rpm] | 262.66     |
| Ratio (i=)            |       | 5.33       |
| Frequency             | [Hz]  | 50         |
| Input options         |       | IEC        |
| Requested input power | [kW]  | 4          |
| Service factor        |       | 1.7        |
| Rated Power P1        | [kW]  | 6.73       |

### Output data

**Gear unit** **M RD 32 B3 H1 5.33 112 B14 AU 30x60 MT 4 kW 112 A4 B14 X3**

|                     |                     |                        |
|---------------------|---------------------|------------------------|
| Type                |                     | RD - Helical gearboxes |
| Input type          |                     | M                      |
| Size                |                     | 32                     |
| Ratio (i=)          |                     | 5.33                   |
| Input flange        |                     | B14                    |
| Mounting position   |                     | H1                     |
| Input speed         | [rpm]               | 1400                   |
| Output speed        | [rpm]               | 262.66                 |
| Rated output torque | [Nm]                | 139.62                 |
| Service Factor      |                     | 1.7                    |
| Efficiency          |                     | 0.96                   |
| Inertia moment      | [kgm <sup>2</sup> ] | 0.000377               |

#### Gear unit configuration

|              |  |          |
|--------------|--|----------|
| Fixing       |  | Feet     |
| Output shaft |  | AU 30x60 |

#### Output radial and axial loads

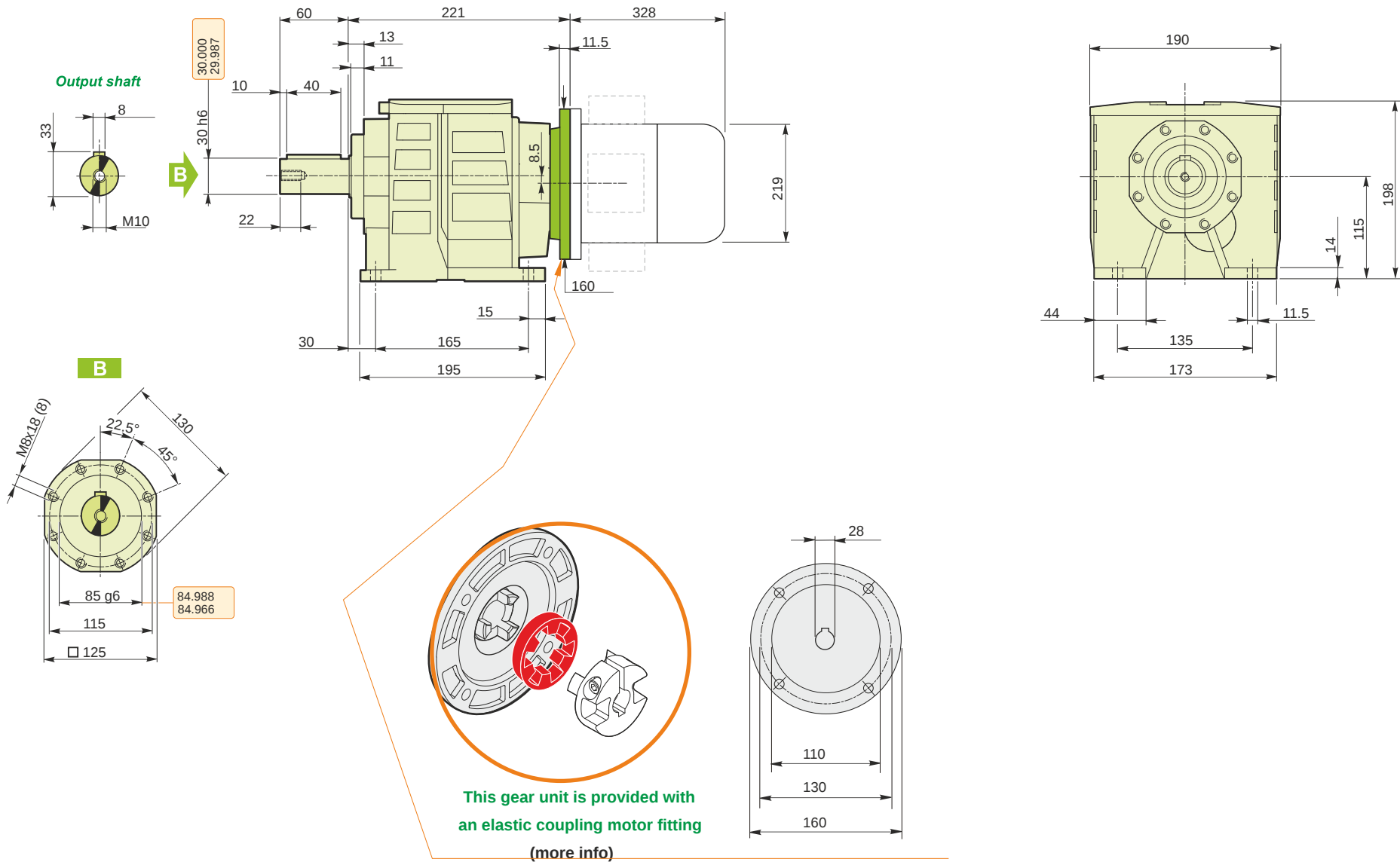
|                    |     |      |
|--------------------|-----|------|
| Output radial load | [N] | 2500 |
| Output axial load  | [N] | 500  |

#### Electric motor

|       |      |        |
|-------|------|--------|
| Size  |      | 112 A4 |
| Poles |      | 4      |
| Power | [kW] | 4      |

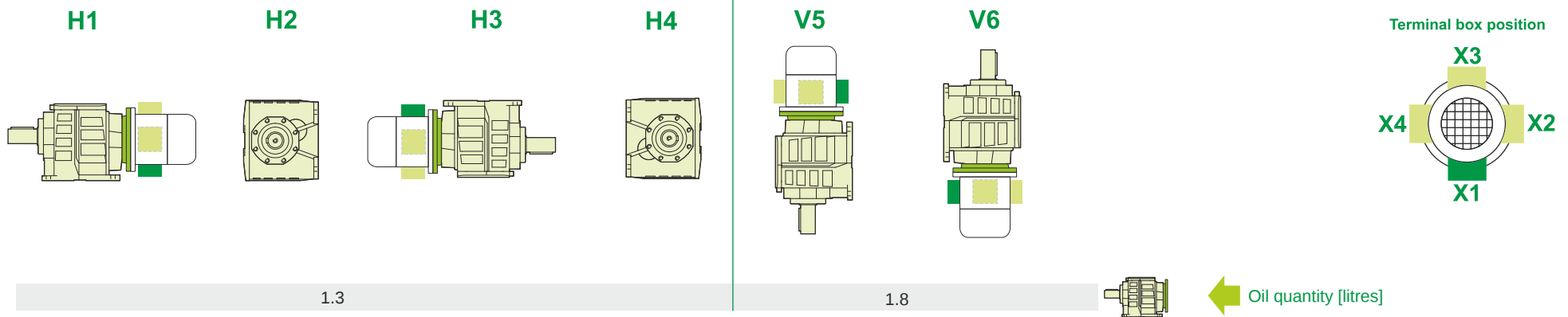
#### Electric motor configuration

|                       |  |     |
|-----------------------|--|-----|
| Motor flange          |  | B14 |
| Terminal box position |  | X3  |



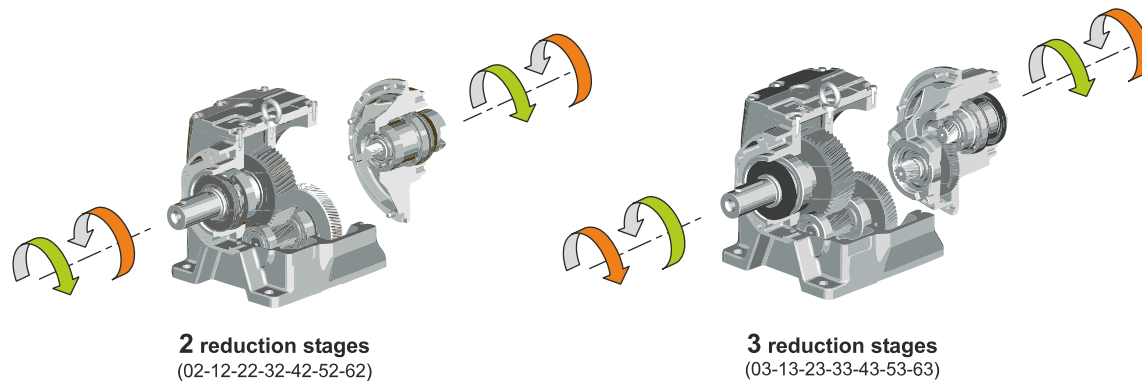
**M RD 32 B3 H1 5.33 112 B14 AU 30x60 MT 4 kW 112 A4 B14 X3**

**Mounting positions**



Lubricant type: Long life synthetic oil ISO VG320

**Direction of rotation**



**Weight**

|                     |      |
|---------------------|------|
| Gear unit [kg]      | 13.5 |
| Electric motor [kg] | 29   |

**M RD 32 B3 H1 5.33 112 B14 AU 30x60 MT 4 kW 112 A4 B14 X3**