

Input data

System of measurement		Metric
Input type		Gear motor
Input speed	[rpm]	1400
Output speed	[rpm]	144.93
Ratio (i=)		9.66
Frequency	[Hz]	50
Input options		IEC
Requested input power	[kW]	4
Service factor		1.5
Rated Power P1	[kW]	5.93

Output data

Gear unit **M RD 32 B3 H1 9.66 112 B14 AU 30x60 MT 4 kW 112 A4 B14 X3**

Type		RD - Helical gearboxes
Input type		M
Size		32
Ratio (i=)		9.66
Input flange		B14
Mounting position		H1
Input speed	[rpm]	1400
Output speed	[rpm]	144.93
Rated output torque	[Nm]	253.04
Service Factor		1.5
Efficiency		0.96
Inertia moment	[kgm ²]	0.000373

Gear unit configuration

Fixing		Feet
Output shaft		AU 30x60

Output radial and axial loads

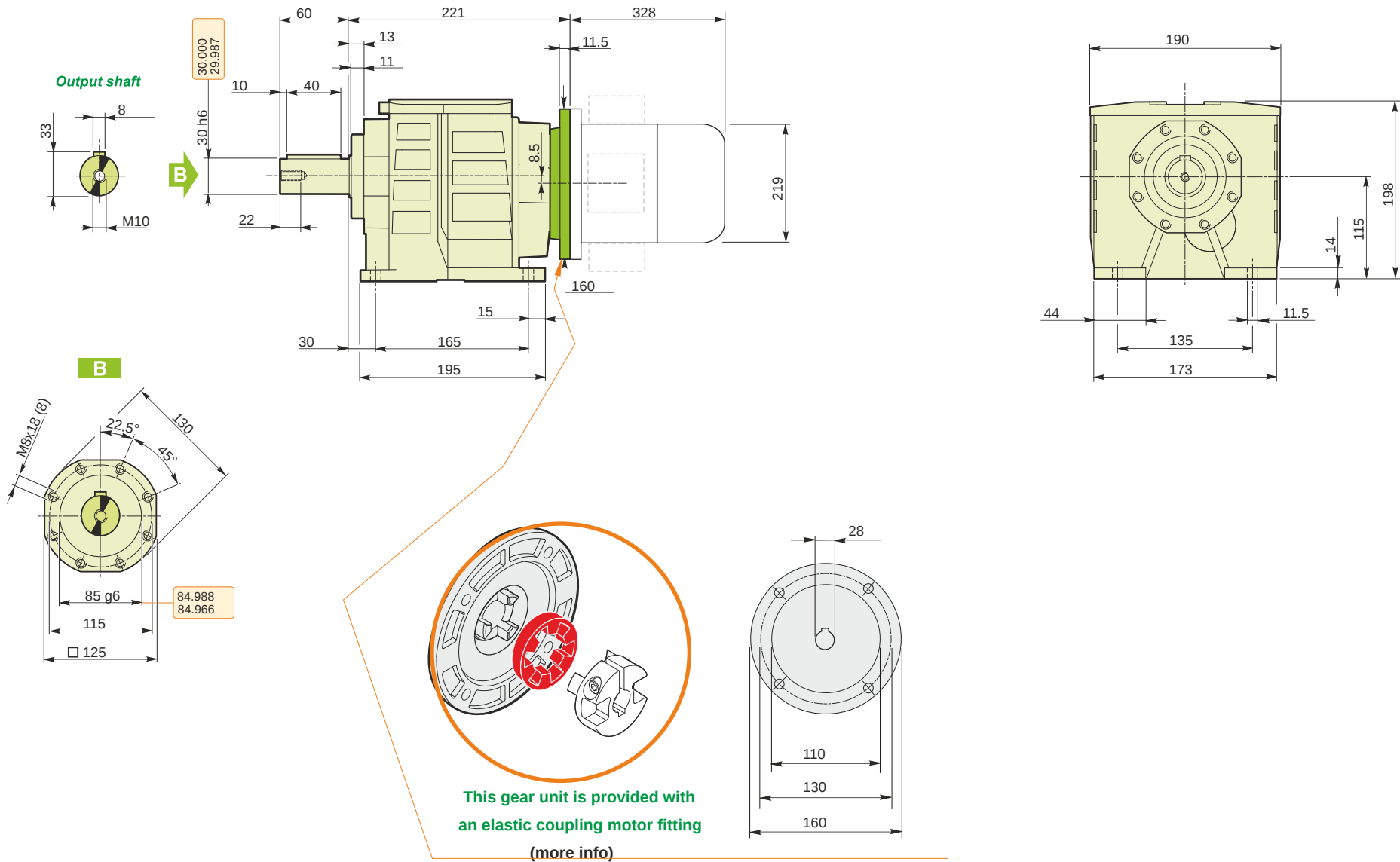
Output radial load	[N]	3600
Output axial load	[N]	720

Electric motor

Size		112 A4
Poles		4
Power	[kW]	4

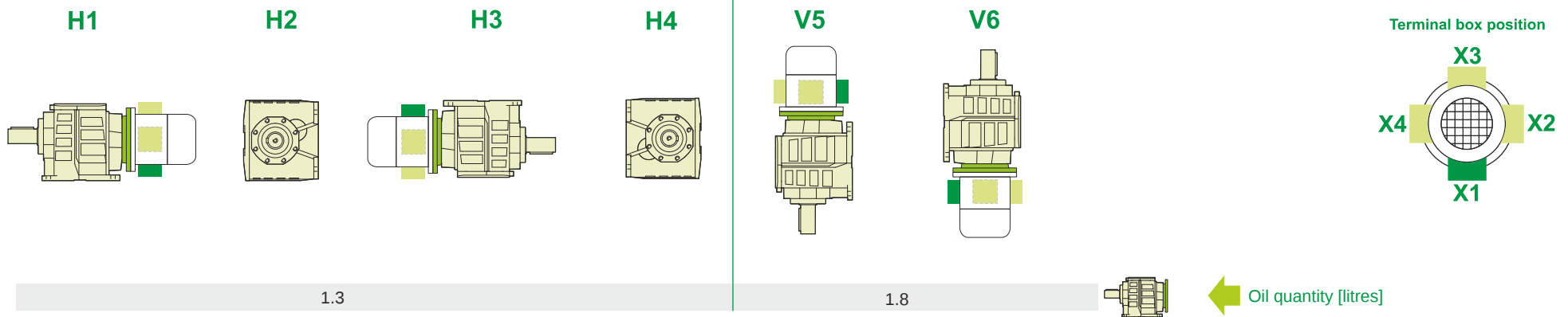
Electric motor configuration

Motor flange		B14
Terminal box position		X3



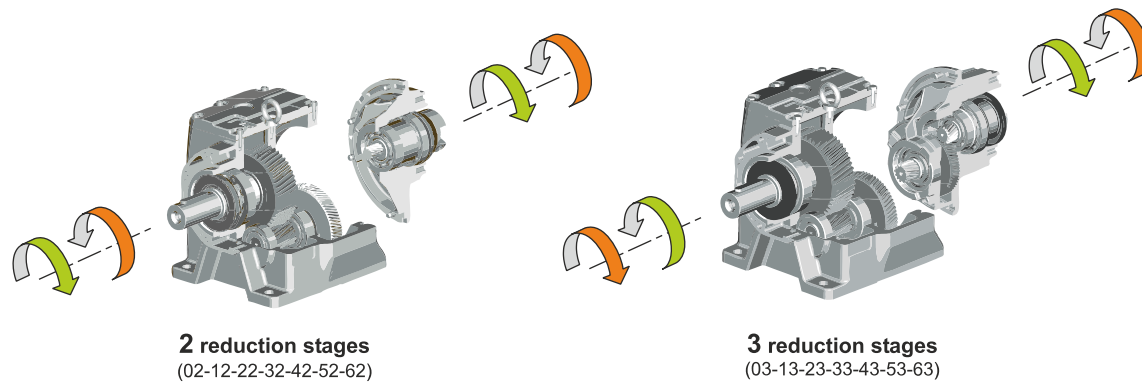
M RD 32 B3 H1 9.66 112 B14 AU 30x60 MT 4 kW 112 A4 B14 X3

Mounting positions



Lubricant type: Long life synthetic oil ISO VG320

Direction of rotation



Weight

Gear unit [kg]	13.5
Electric motor [kg]	29

M RD 32 B3 H1 9.66 112 B14 AU 30x60 MT 4 kW 112 A4 B14 X3