

### Input data

System of measurement		Metric
Input type		Gear motor
Input speed	[rpm]	1400
Output speed	[rpm]	55.42
Ratio (i=)		25.26
Frequency	[Hz]	50
Input options		IEC
Requested input power	[kW]	3
Service factor		0.8
Rated Power P1	[kW]	2.39

### Output data

<b>Gear unit</b>	<b>M RD 32 B3 H1 25.26 100 B14 AU 30x60 MT 3 kW 100 B4 B14 X3</b>
------------------	---

Type		RD - Helical gearboxes
Input type		M
Size		32
Ratio (i=)		25.26
Input flange		B14
Mounting position		H1
Input speed	[rpm]	1400
Output speed	[rpm]	55.42
Rated output torque	[Nm]	496.25
Service Factor		0.8
Efficiency		0.96
Inertia moment	[kgm <sup>2</sup> ]	0.000238

#### Gear unit configuration

Fixing		Feet
Output shaft		AU 30x60

#### Output radial and axial loads

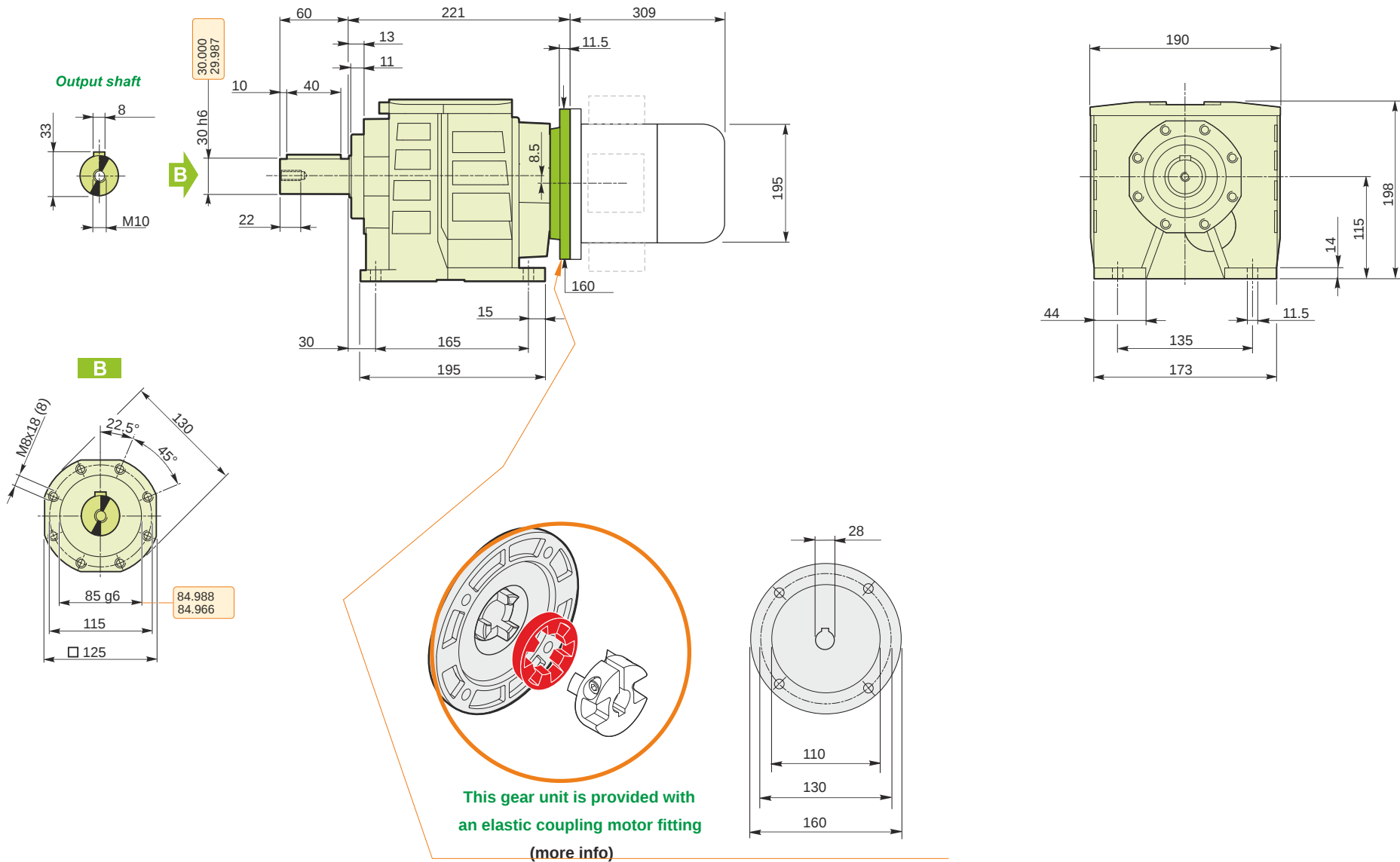
Output radial load	[N]	4500
Output axial load	[N]	900

#### Electric motor

Size		100 B4
Poles		4
Power	[kW]	3

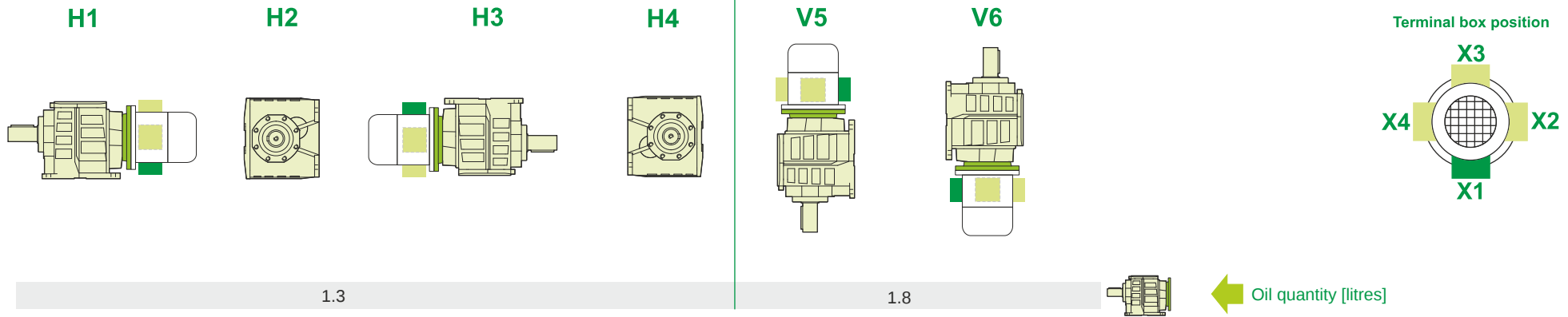
#### Electric motor configuration

Motor flange		B14
Terminal box position		X3



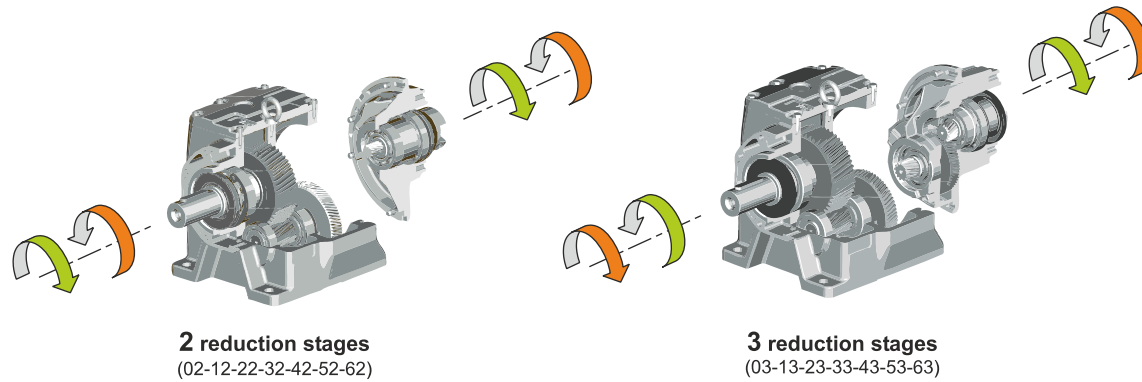
**M RD 32 B3 H1 25.26 100 B14 AU 30x60 MT 3 kW 100 B4 B14 X3**

**Mounting positions**



Lubricant type: Long life synthetic oil ISO VG320

**Direction of rotation**



**Weight**

Gear unit [kg]	13.5
Electric motor [kg]	21

**M RD 32 B3 H1 25.26 100 B14 AU 30x60 MT 3 kW 100 B4 B14 X3**