

Input data

System of measurement		Metric
Input type		Gear motor
Input speed	[rpm]	1400
Output speed	[rpm]	36.3
Ratio (i=)		38.57
Frequency	[Hz]	50
Input options		IEC
Requested input power	[kW]	1.5
Service factor		0.8
Rated Power P1	[kW]	1.13

Output data

Gear unit **M RD 32 B3 H1 38.57 90 B14 AU 30x60 MT 1.5 kW 90 L4 B14 X3**

Type		RD - Helical gearboxes
Input type		M
Size		32
Ratio (i=)		38.57
Input flange		B14
Mounting position		H1
Input speed	[rpm]	1400
Output speed	[rpm]	36.3
Rated output torque	[Nm]	378.87
Service Factor		0.8
Efficiency		0.96
Inertia moment	[kgm ²]	0.000236

Gear unit configuration

Fixing		Feet
Output shaft		AU 30x60

Output radial and axial loads

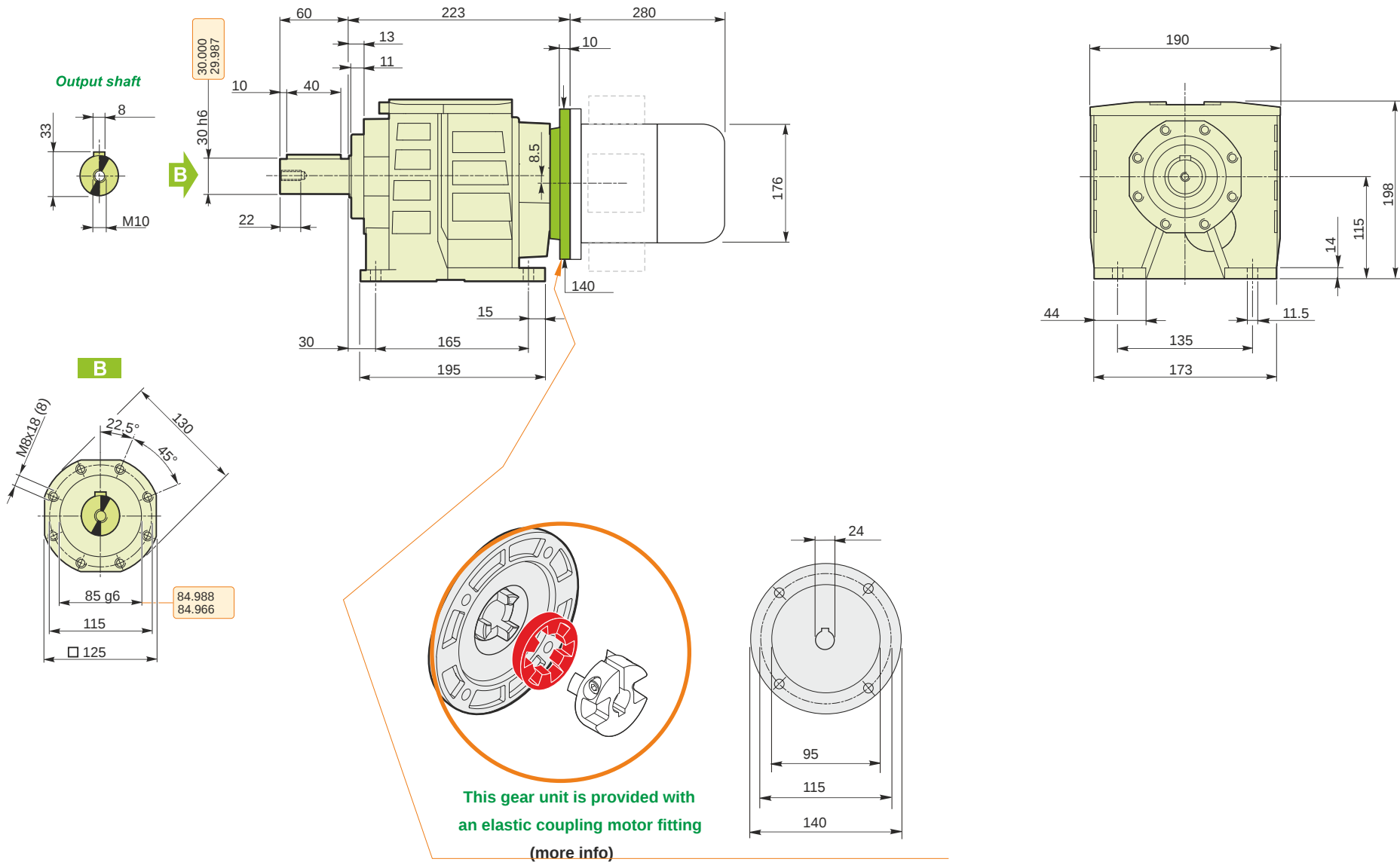
Output radial load	[N]	4900
Output axial load	[N]	980

Electric motor

Size		90 L4
Poles		4
Power	[kW]	1.5

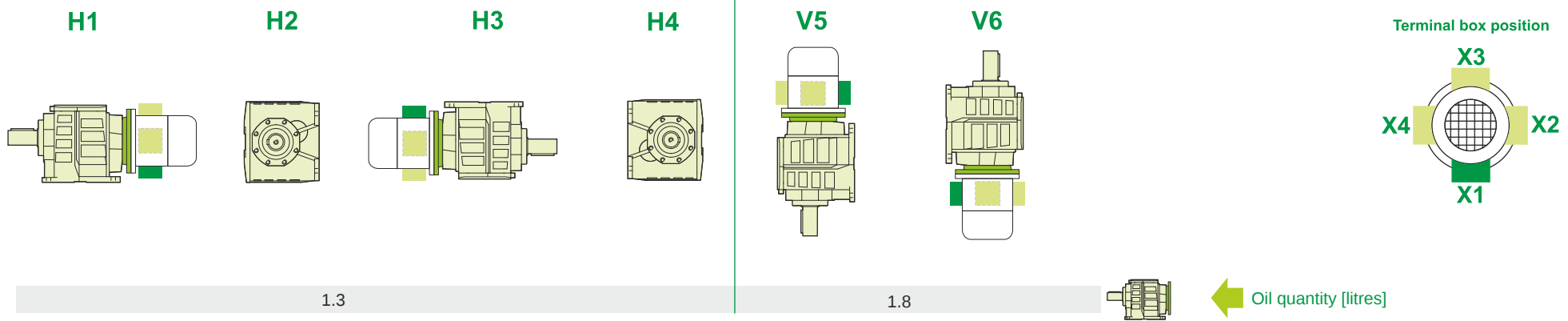
Electric motor configuration

Motor flange		B14
Terminal box position		X3



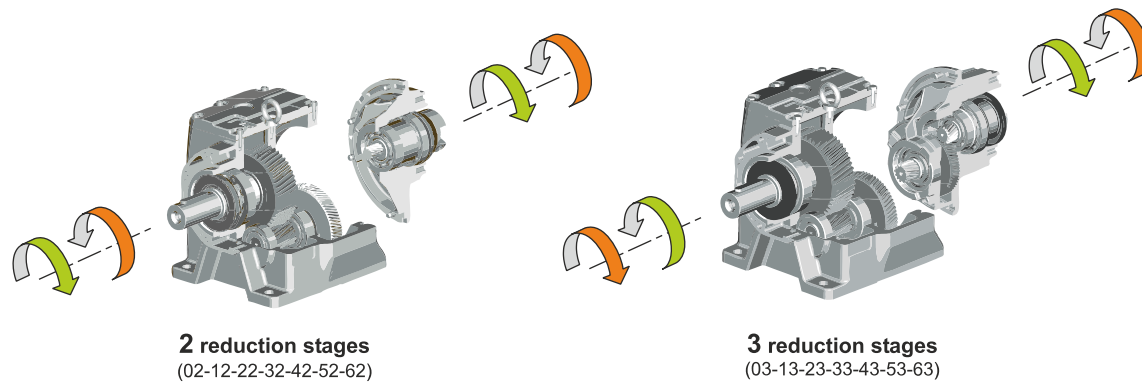
M RD 32 B3 H1 38.57 90 B14 AU 30x60 MT 1.5 kW 90 L4 B14 X3

Mounting positions



Lubricant type: Long life synthetic oil ISO VG320

Direction of rotation



Weight

Gear unit [kg]	13.5
Electric motor [kg]	13.5

M RD 32 B3 H1 38.57 90 B14 AU 30x60 MT 1.5 kW 90 L4 B14 X3