

### Input data

System of measurement		Metric
Input type		Gear motor
Input speed	[rpm]	1400
Output speed	[rpm]	21.59
Ratio (i=)		64.84
Frequency	[Hz]	50
Input options		IEC
Requested input power	[kW]	1.1
Service factor		0.9
Rated Power P1	[kW]	1.01

### Output data

**Gear unit** **M RD 33 B3 H1 64.84 90 B14 AU 30x60 MT 1.1 kW 90 S4 B14 X3**

Type		RD - Helical gearboxes
Input type		M
Size		33
Ratio (i=)		64.84
Input flange		B14
Mounting position		H1
Input speed	[rpm]	1400
Output speed	[rpm]	21.59
Rated output torque	[Nm]	457.34
Service Factor		0.9
Efficiency		0.94
Inertia moment	[kgm <sup>2</sup> ]	0.000522

#### Gear unit configuration

Fixing		Feet
Output shaft		AU 30x60

#### Output radial and axial loads

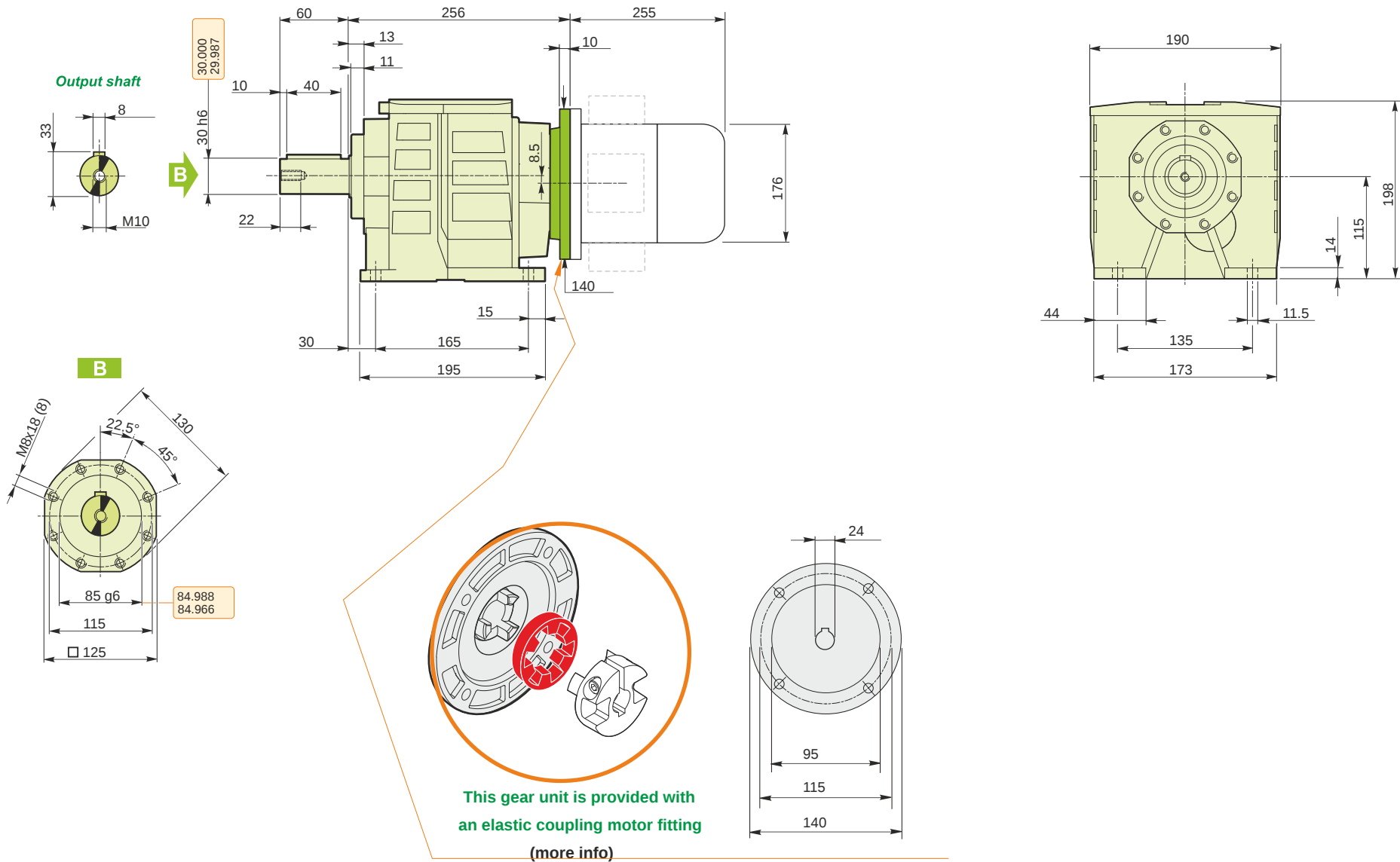
Output radial load	[N]	4200
Output axial load	[N]	840

#### Electric motor

Size		90 S4
Poles		4
Power	[kW]	1.1

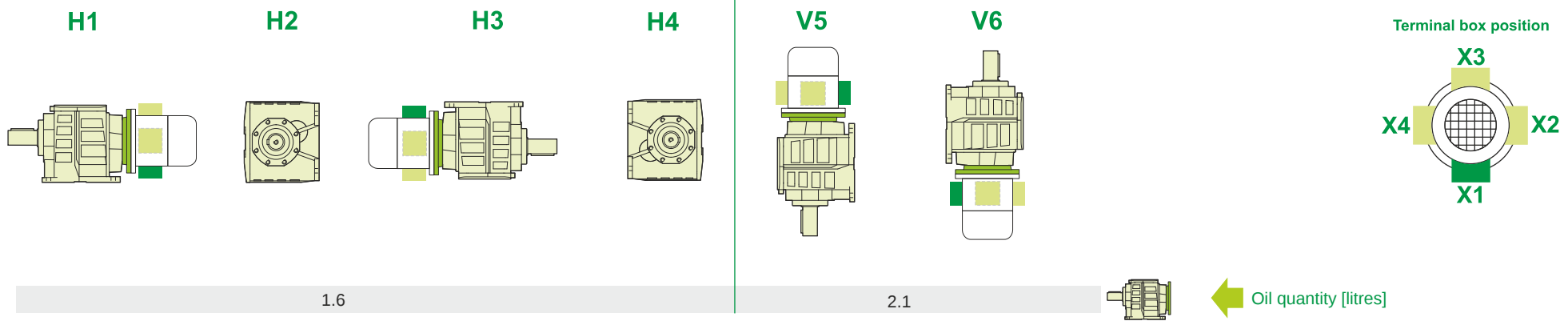
#### Electric motor configuration

Motor flange		B14
Terminal box position		X3



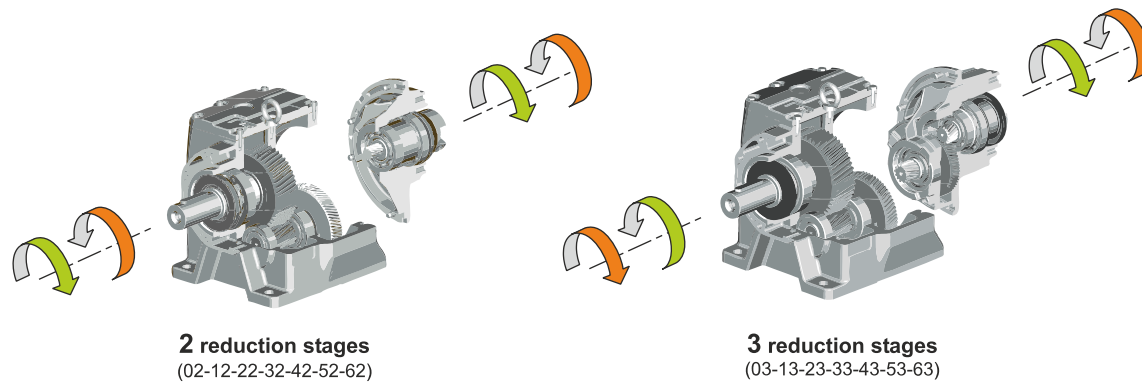
**M RD 33 B3 H1 64.84 90 B14 AU 30x60 MT 1.1 kW 90 S4 B14 X3**

**Mounting positions**



Lubricant type: Long life synthetic oil ISO VG320

**Direction of rotation**



**Weight**

Gear unit [kg]	14.5
Electric motor [kg]	12

**M RD 33 B3 H1 64.84 90 B14 AU 30x60 MT 1.1 kW 90 S4 B14 X3**